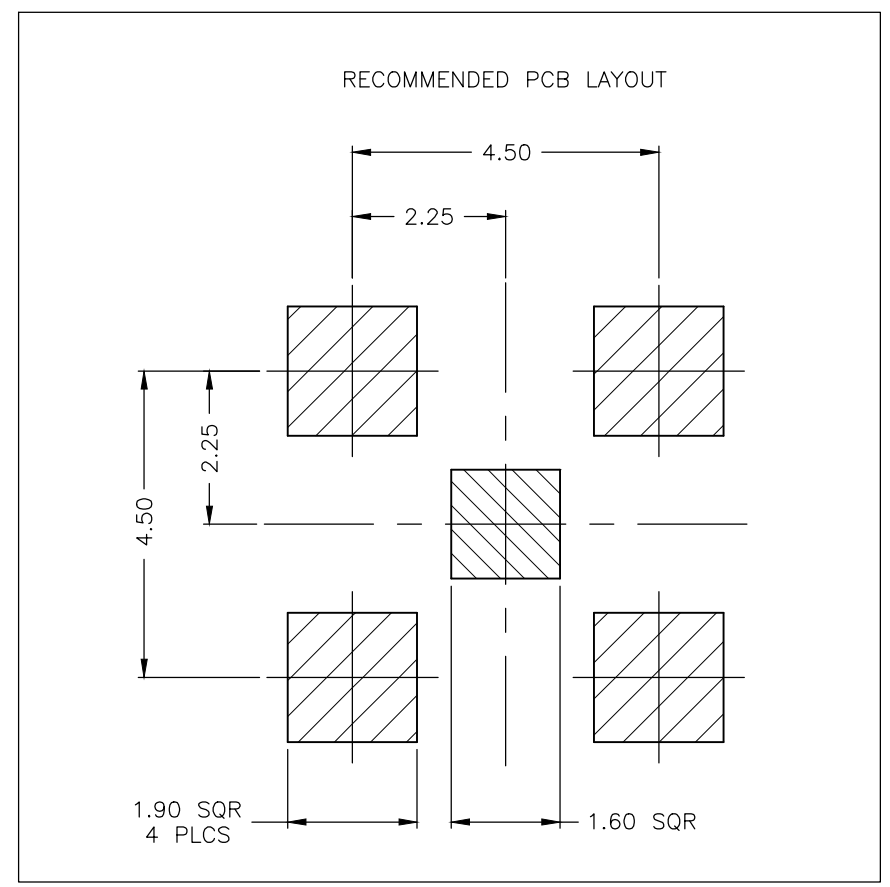
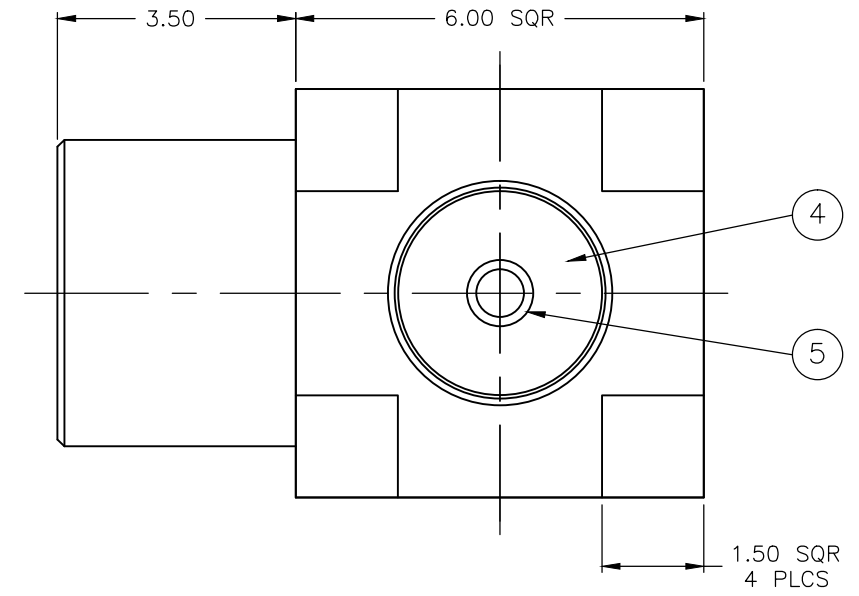
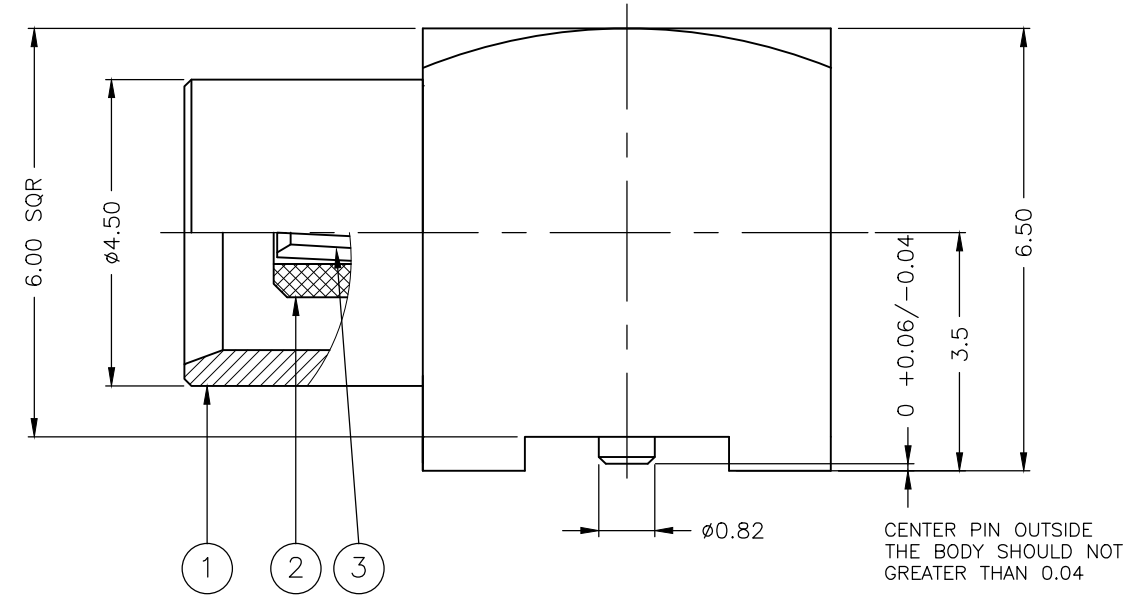


THIS DRAWING IS UNPUBLISHED. RELEASED FOR PUBLICATION FEB ,2006.  
 © COPYRIGHT 2006 By - ALL RIGHTS RESERVED.

REVISIONS					
P	LTR	DESCRIPTION	DATE	DWN	APVD
	E2	REVISE PER ECR-17-007278	19MAY2017	BW	RS

NOTES:

- 1 SINGLE PACKING: ONE CONNECTOR PER LABELED BAG PACKAGED. LABELED PER TEC-107-115
- 2 TAPE AND REEL PACKAGING OPTION AS PER NOTES 9 AND 16
- 3 Au PLATING
- 4 ELECTRICAL CHARACTERISTICS  
 FREQUENCY RANGE: DC - 6 GHz  
 NOMINAL IMPEDANCE: 50 Ohm  
 INSULATION RESISTANCE: 500 MOhm  
 WORKING VOLTAGE: 335 Volts RMS at Sea Level  
 DIELECTRIC WITHSTAND VOLTAGE: 1000 Volts RMS Max  
 CONTACT RESISTANCE:  
   CENTER CONTACT: 5.00 mOhm Max  
   OUTER CONTACT: 2.50 mOhm Max  
 VSWR @ 6GHz: 1.5 Max  
 INSERTION LOSS dB @ x 1.0 GHz: 0.10 Max
- 5 MECHANICAL CHARACTERISTICS  
 ENGAGEMENT FORCE: 63 N Max  
 SEPARATION FORCE: 8N Min TO 20N Max  
 DURABILITY: 500 Cycles Min
- 6 ENVIRONMENTAL CHARACTERISTICS  
 OPERATING TEMPERATURE: -40 to +85 °C
- 7. FOR TECHNICAL DATA REFER TO YOUR LOCAL TYCO ELECTRONICS SALES OFFICE
- 8. ALL DIMENSIONS ARE NOMINAL FOR REFERENCE ONLY UNLESS OTHERWISE STATED



QTY	PLCS	MATERIAL	DESCRIPTION	ITEM
1	1	BRASS	CONTACT	5
1	1	PTFE	INSULATION	4
1	1	BERYLLIUM COPPER	CONTACT	3
1	1	PTFE	INSULATION	2
1	1	BRASS	BODY	1
6--0	1--0	MATERIAL	DESCRIPTION	ITEM

THIS DRAWING IS A CONTROLLED DOCUMENT.		DWN	J.SANDWELL	02FEB06	<b>STE</b> TE Connectivity
DIMENSIONS: mm		CHK	S.PARLOW	02FEB06	
TOLERANCES UNLESS OTHERWISE SPECIFIED:		APVD	F.WHEELER-KING	02FEB06	
0 PLC ± - 1 PLC ± 0.2 2 PLC ± 0.1 3 PLC ± - 4 PLC ± - ANGLES ± -		PRODUCT SPEC	MCX SURFACE MOUNT ELBOW PCB SOCKET 50 OHM		
MATERIAL SEE TABLE		FINISH	-		RESTRICTED TO
		WEIGHT	0		SIZE
		CUSTOMER DRAWING		A300779	CAGE CODE
				G-1337583	DRAWING NO
				SCALE	NTS
				SHEET	1 OF 2
				REV	E2

THIS DRAWING IS UNPUBLISHED.

RELEASED FOR PUBLICATION

FEB , 2006.

REVISIONS

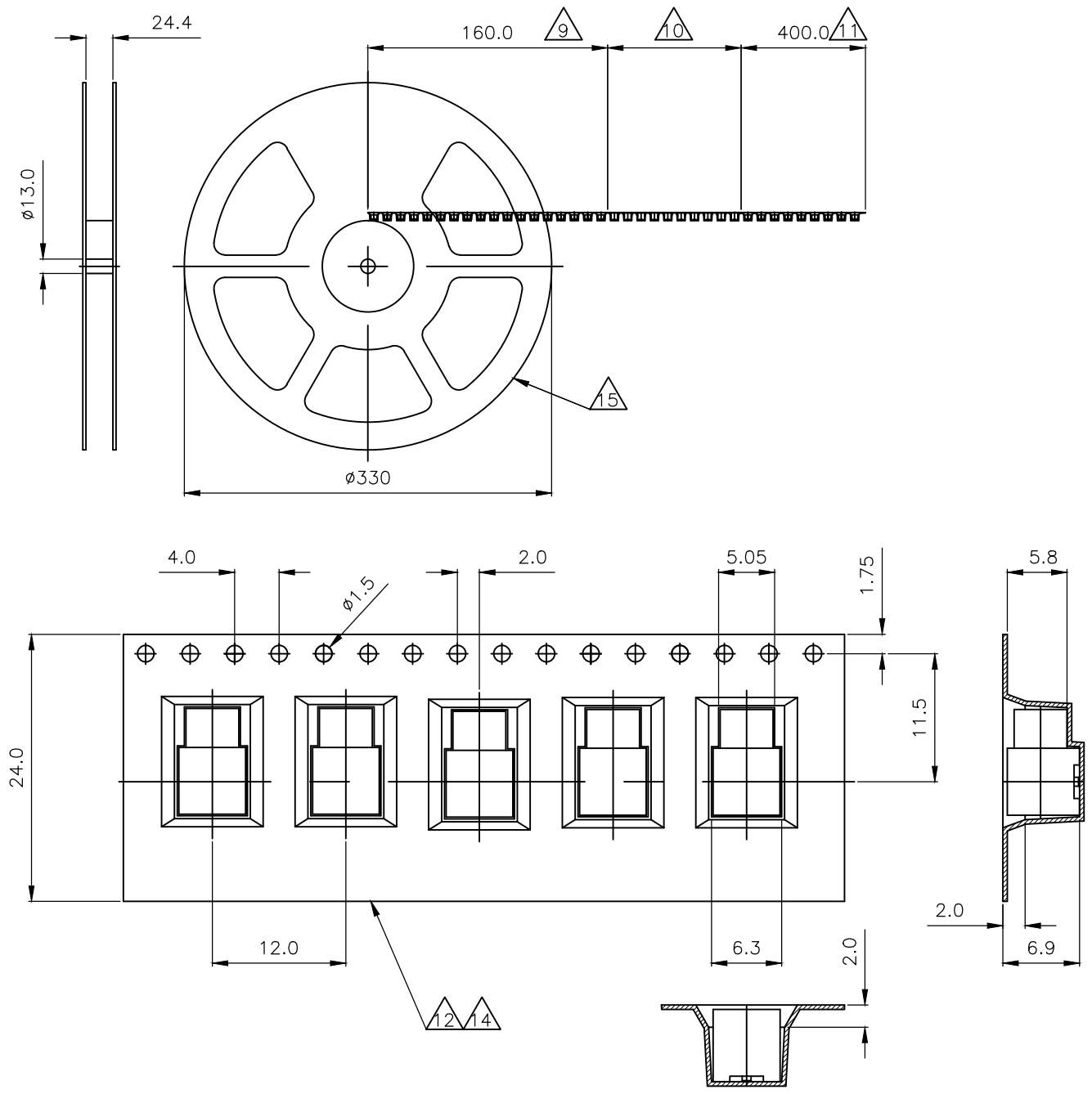
© COPYRIGHT 2006 By -


ALL RIGHTS RESERVED.

P	LTR	DESCRIPTION	DATE	DWN	APVD
-	-	SEE SHEET 1	-	-	-

NOTES (CONT):

- 9 LAST RUNNING ACCORDING TO IEC 60286-3
- 10 BLISTER BELT FILLED WITH PARTS
- 11 400mm EMPTY BLISTER BELT, SEALED WITH COVER TAPE
- 12 BLISTER BELT ACCORDING TO IEC 60286-3
- 13 UNIT PER REEL: 750 PIECES
- 14 VOLUME-CONDUCTIVE MATERIAL
- 15 MADE FROM POLYSTYRENE
- 16 SMD-STRIP-PACKAGING ACCORDING TO IEC 60286-2



THIS DRAWING IS A CONTROLLED DOCUMENT.		DWN J.SANDWELL 02FEB06	 <b>TE Connectivity</b>														
DIMENSIONS: mm		CHK S.PARLOW 02FEB06															
TOLERANCES UNLESS OTHERWISE SPECIFIED:		APVD F.WHEELER-KING 02FEB06	NAME MCX SURFACE MOUNT ELBOW PCB SOCKET 50 OHM														
<table border="0"> <tr><td>0 PLC</td><td>± -</td></tr> <tr><td>1 PLC</td><td>± -</td></tr> <tr><td>2 PLC</td><td>± -</td></tr> <tr><td>3 PLC</td><td>± -</td></tr> <tr><td>4 PLC</td><td>± -</td></tr> <tr><td>ANGLES</td><td>± -</td></tr> </table>		0 PLC	± -	1 PLC	± -	2 PLC	± -	3 PLC	± -	4 PLC	± -	ANGLES	± -	PRODUCT SPEC	-		
0 PLC	± -																
1 PLC	± -																
2 PLC	± -																
3 PLC	± -																
4 PLC	± -																
ANGLES	± -																
MATERIAL SEE TABLE		FINISH -	APPLICATION SPEC	-													
		WEIGHT -	SIZE A3	CAGE CODE 00779	DRAWING NO C-1337583	RESTRICTED TO -											
CUSTOMER DRAWING			SCALE NTS	SHEET 2 OF 2	REV E2												

单击下面可查看定价，库存，交付和生命周期等信息

[>>TE Connectivity\(泰科\)](#)