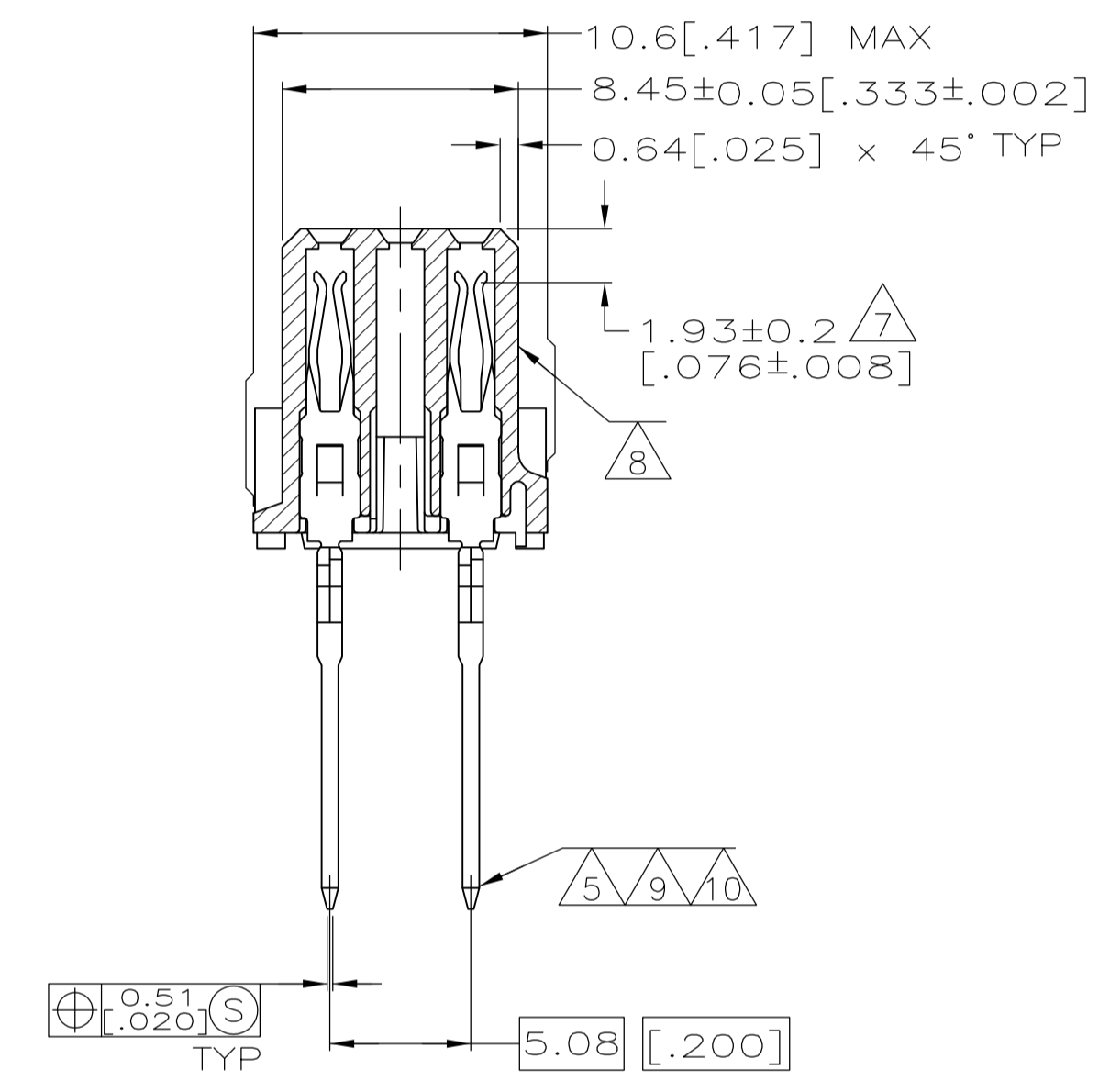
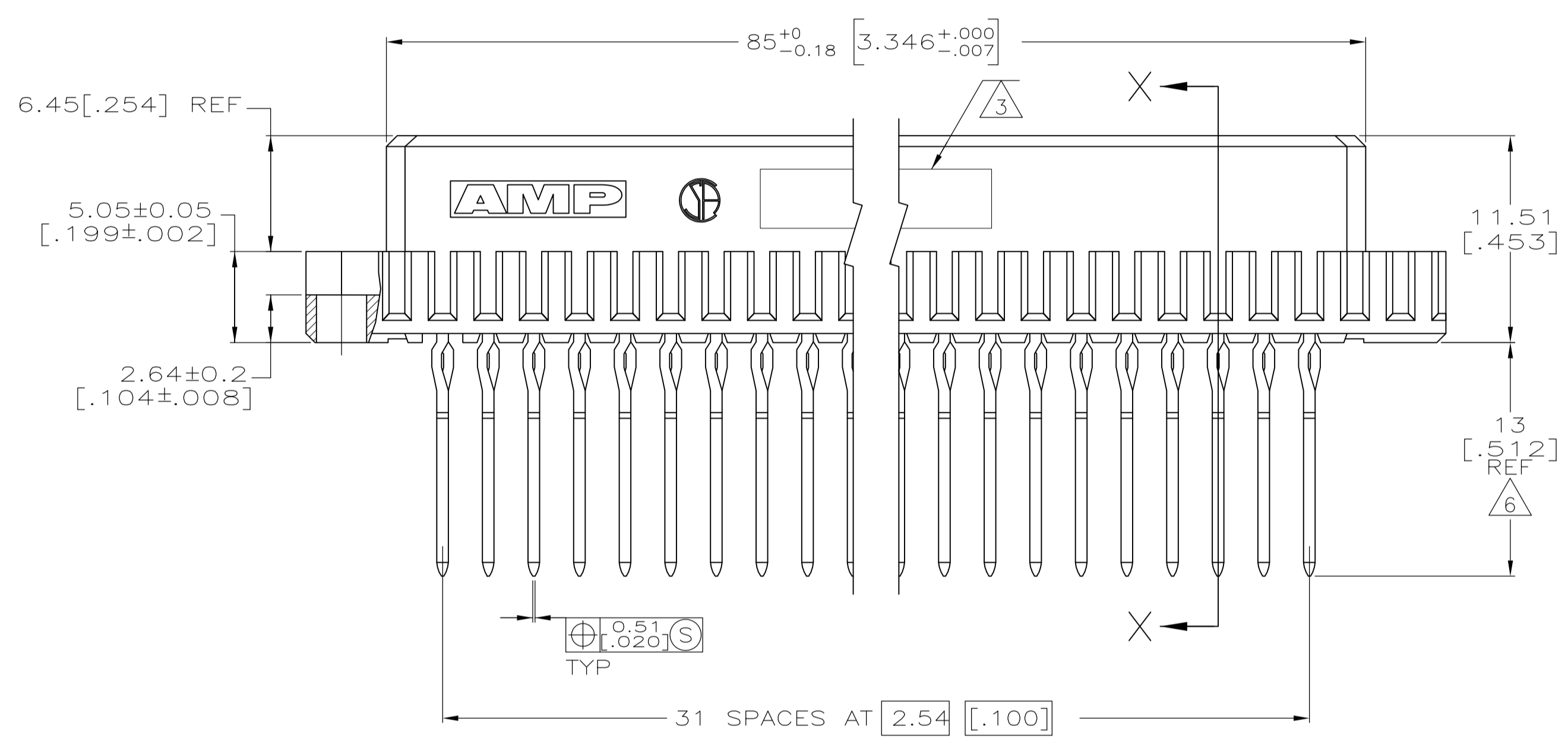
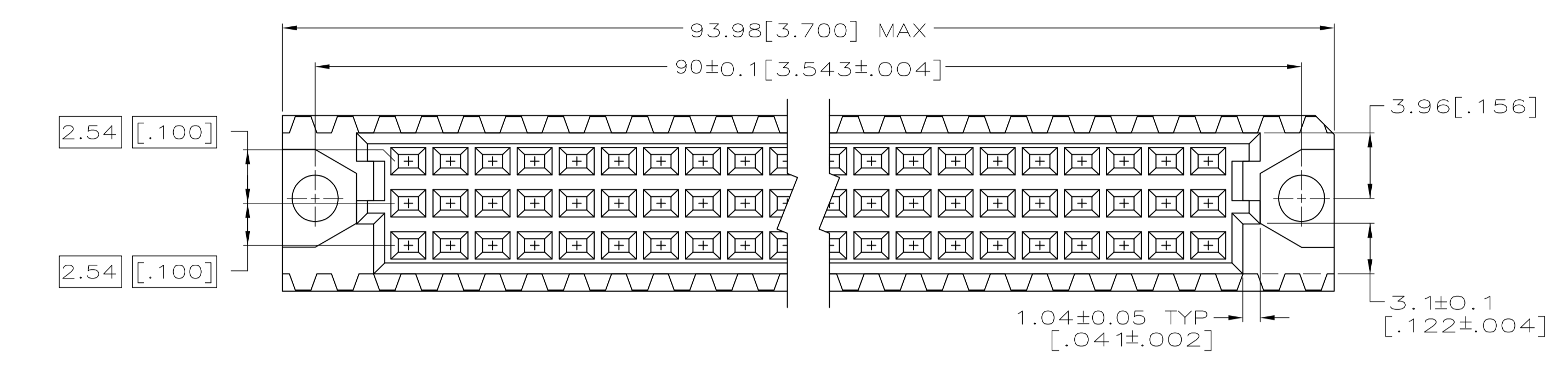
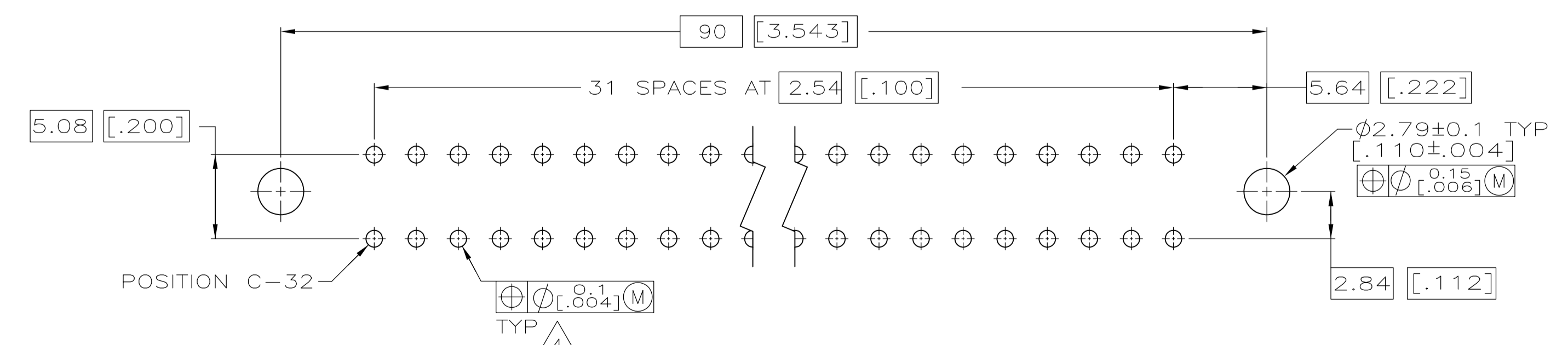
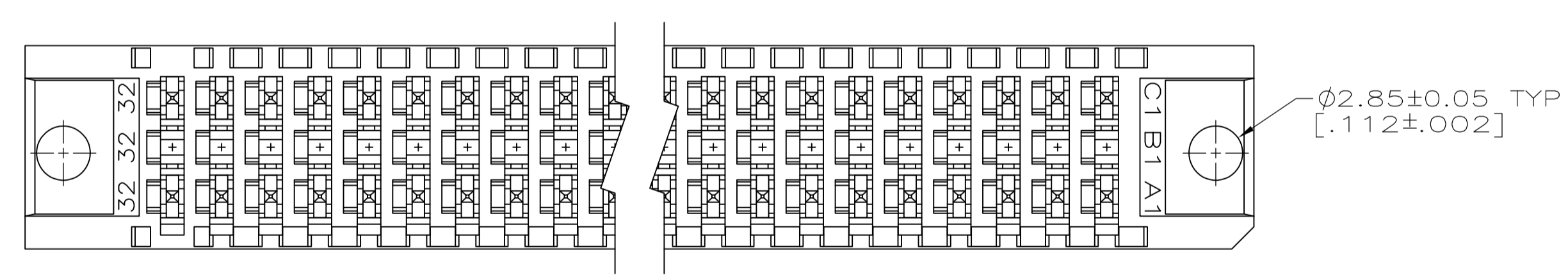


- 1 HOUSING MATERIAL: GLASS-FILLED POLYESTER. COLOR: GRAY.
- 2 CONTACT MATERIAL: PHOSPHOR BRONZE.
- 3 PART NUMBER AND DATE CODE HOT STAMPED IN THIS APPROXIMATE AREA ON EITHER SIDE OF CONNECTOR.
- 4 ACTION PIN POSTS REQUIRE 1.57[.062] MINIMUM THICK PC BOARD. RECOMMENDED PC BOARD DRILLED HOLES ARE 1.15±0.025[.0453±.0010] DIAMETER WITH 0.02-0.08[.001-.003] COPPER AND 0.008[.0003] MINIMUM TIN-LEAD PLATING. FINISHED HOLE AFTER PLATING IS 1.02±0.08[.040±.002] DIAMETER.
- 5 CONTACT FINISH: DIN 41612 CLASS 2 IN CONTACT AREA. TIN-LEAD PLATE ON POSTS.
- 6 TAIL LENGTH AFTER SEATING IN PC BOARD.
- 7 CONTACT POINT AFTER SEATED IN PC BOARD.
- 8 HOT STAMPING ON THIS SIDE.
- 9 CONTACT FINISH: DIN 41612 CLASS 2 IN CONTACT AREA AND LAST 5.08[.200] OF POST.
- 10 CONTACT FINISH: 0.00076[.000030] GOLD IN CONTACT AREA AND LAST 5.08[.200] OF POST. 0.00127[.000050] NICKEL UNDERPLATE ALL OVER.



SECTION X-X



PC BOARD LAYOUT

	9	1-32	X	-	X	64	1-148167-5
OBSOLETE	10	1-32	X	-	X	64	1-148167-4
OBSOLETE	5	1-32	X	-	X	64	148167-5
NOTES	POSITIONS LOADED		ROWS LOADED		NO. OF LOADED POSITION	PART NUMBER	
			C	B	A		

THIS DRAWING IS A CONTROLLED DOCUMENT.

DIMENSIONS: mm [INCHES]	TOLERANCES UNLESS OTHERWISE SPECIFIED:	DIN L. BRINER 6/20/95	APVD C. RICHARD 6/20/95	NAME	RECEPTACLE ASSEMBLY, EUROCARD, TYPE C
0 PLC ± -	1 PLC ± -	2 PLC ± 0.13[.005]	3 PLC ± -	4 PLC ± -	ANGLES ± -
MATERIAL	FINISH	SIZE	CAGE CODE	DRAWING NO	RESTRICTED TO
1 2	5 9 10	A1	00779	148167	
CUSTOMER DRAWING		SCALE	4:1	SHEET	1 OF 1

STE TE Connectivity

单击下面可查看定价，库存，交付和生命周期等信息

[>>TE Connectivity\(泰科\)](#)