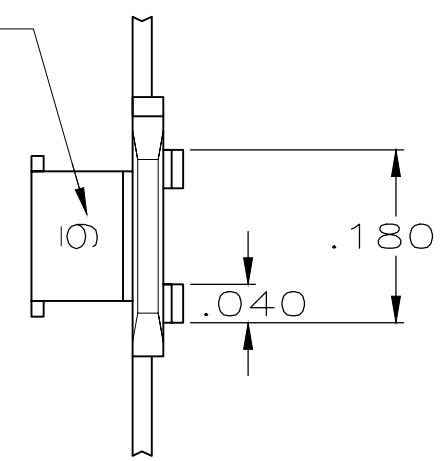


THIS DRAWING IS UNPUBLISHED. RELEASED FOR PUBLICATION  
 © COPYRIGHT - By - TE CONNECTIVITY ALL RIGHTS RESERVED.

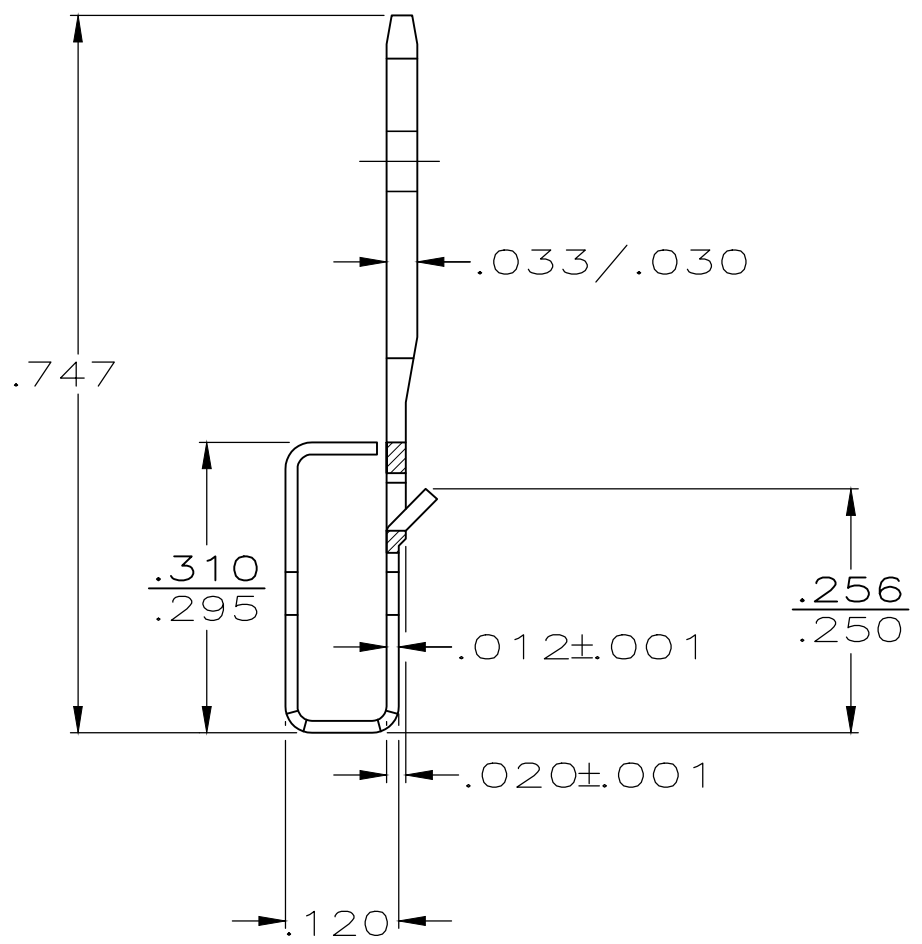
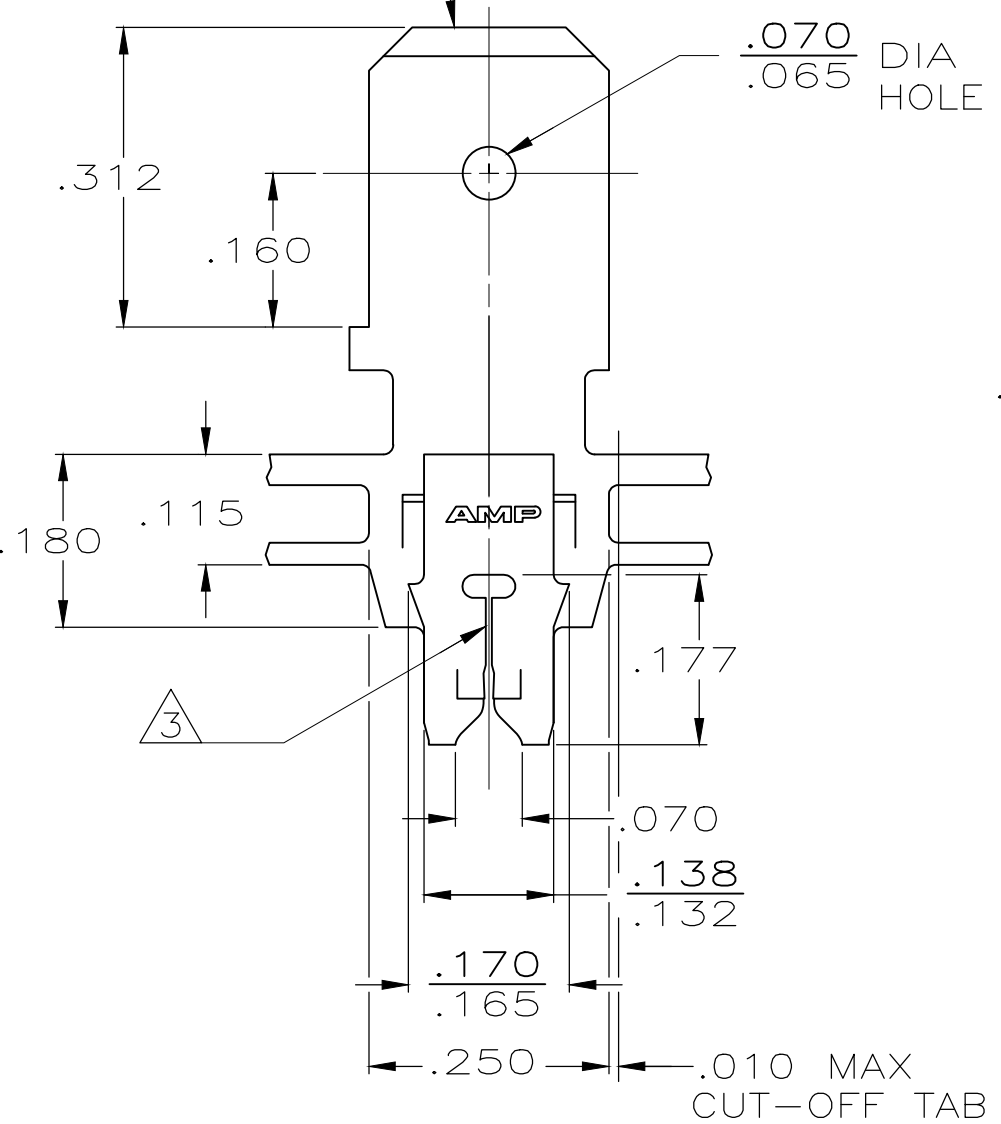
REVISIONS				
P	LTR	DESCRIPTION	DATE	APVD
E3		REVISED PER ECR-19-014370	27SEP2019	JA

IDENTIFICATION NUMBER FOR MAGNET WIRE RANGE



- 1 MAG-MATE CAVITY SPECIFICATION.
- 2 CONTINUOUS STRIP ON REELS WITH TERMINALS LOCATED ON .330±.003 CENTERS.
- 3 SLOT TERMINATES EITHER SINGLE OR DOUBLE MAGNET WIRES OF THE SAME TYPE AND SIZE, COPPER WIRE RANGE IS 0.25-0.36mm[#30-#27] AWG. ALUMINIUM WIRE RANGE IS 0.32-0.45mm[#28-#25] AWG. ALUMINIUM WIRE RANGE APPLIES FOR POST TIN PLATED PARTS ONLY.

FITS .250 SERIES FASTON RECEPTACLE



082 BRASS	63499-2
4M BRASS	63499-1
MATERIAL	PART NO.

THIS DRAWING IS A CONTROLLED DOCUMENT.		DWN M.S FEHER 6/3/88	<b>STE</b> TE Connectivity	
DIMENSIONS: INCHES		CHK C G ATHERTON 7/7/88		
TOLERANCES UNLESS OTHERWISE SPECIFIED:		APVD JR RUTH 7/7/88	NAME	
0 PLC ± -		PRODUCT SPEC 108-2012	TAB, 250 FASTON, MAG-MATE	
1 PLC ± -		APPLICATION SPEC 114-2094 1	SIZE	RESTRICTED TO
2 PLC ± -		WEIGHT	A3	-
3 PLC ± .010		CUSTOMER DRAWING	CAGE CODE 00779	DRAWING NO C-63499
4 PLC ± -		SCALE 5:1	SHEET 1 OF 1	REV E3
ANGLES ± -				
FINISH TIN				
MATERIAL SEE TABLE				

单击下面可查看定价，库存，交付和生命周期等信息

[>>TE Connectivity\(泰科\)](#)