

## D-32A Series, Rated up to 100 Amps, 28 Vdc

### Product Facts

- 2PST, Center Off, Double Break
- Gasket Sealed, Vented
- Meets many requirements of MIL-PRF-6106



### Performance Data

#### Electrical Characteristics

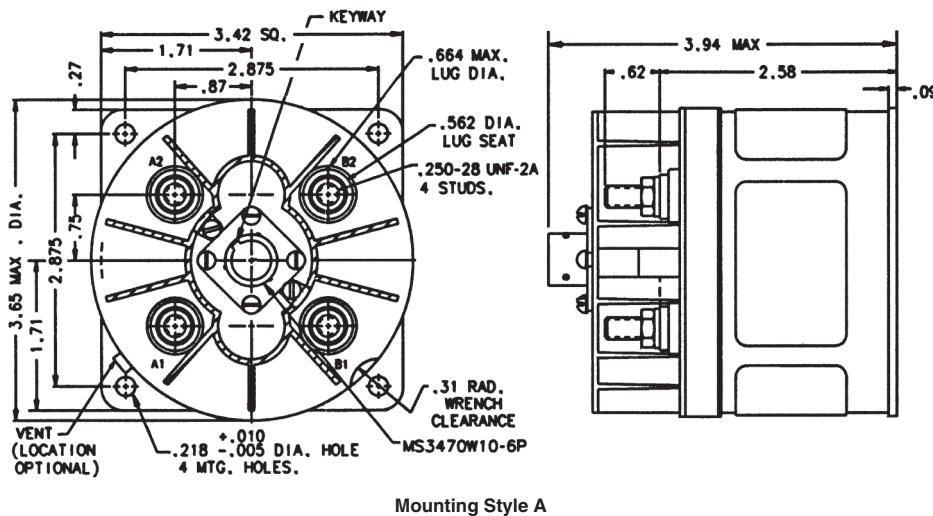
- Main Contacts —**  
**Main Contact Configuration —** 2PST, Center Off  
**Voltage, Nom. —** 28 Vdc  
**Resistive Rating —** 100 Amps  
**Inductive Rating —** 100 Amps  
**Motor Rating —** 80 Amps  
**Lamp Rating —** 50 Amps  
**Overload Rating —** 800 Amps  
**Rupture Rating —** 1,000 Amps  
**Auxiliary Contacts —**  
**Aux. Contact Configuration —** SPST  
**Voltage, Nom. —** 28 Vdc  
**Resistive Rating —** 0.1 Amps  
**Inductive Rating —** 0.1 Amps  
**Lamp Rating —** 0.1 Amps

#### General Characteristics

- Temperature Range —** -55°C to +71°C  
**Operating Cycles (Life) at Rated Resistive Load, Min. —** 50,000 cycles  
**Operating Cycles (Life) Mechanical, Min. —** 100,000 cycles  
**Dielectric Strength —**  
 All Circuits to Ground — 1,250 Vrms  
 Circuit to Circuit — 1,250 Vrms  
 Coil to Ground and Aux. Contacts — 1,000 Vrms  
**Altitude —** 50,000 ft.  
**Weight, Max. —** 1.9 lbs

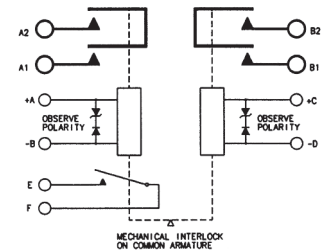
#### Coil Characteristics

- Duty Cycle —** Continuous with suppression  
**Operating Voltage, Nom. —** 28 Vdc  
**Operating Voltage, Max. —** 30 Vdc  
**Pickup Voltage, Max. —** 18 Vdc  
**Dropout Voltage, Max. —** 1.5 to 7.5 Vdc  
**Hold Voltage —** 8.0 Vdc  
**Coil Resistance ±10% @ 77°F —** 163 Ohms  
**Coil Current @ 77°F & 30 Vdc, Max. —** 0.215 Amp



### Circuit Configurations

(Consult factory for other available circuit configurations)



For factory-direct application assistance, phone 419-521-9500 or fax 419-526-2749.

| HARTMAN Part Number | Construction Type | Mounting Style | Coil Type                 | Circuit Config. | TE Part Number |
|---------------------|-------------------|----------------|---------------------------|-----------------|----------------|
| D-32A               | Gasket/Vented     | A              | Continuous w/ Suppression | 1               | 1616097-2      |

单击下面可查看定价，库存，交付和生命周期等信息

[>>TE Connectivity\(泰科\)](#)