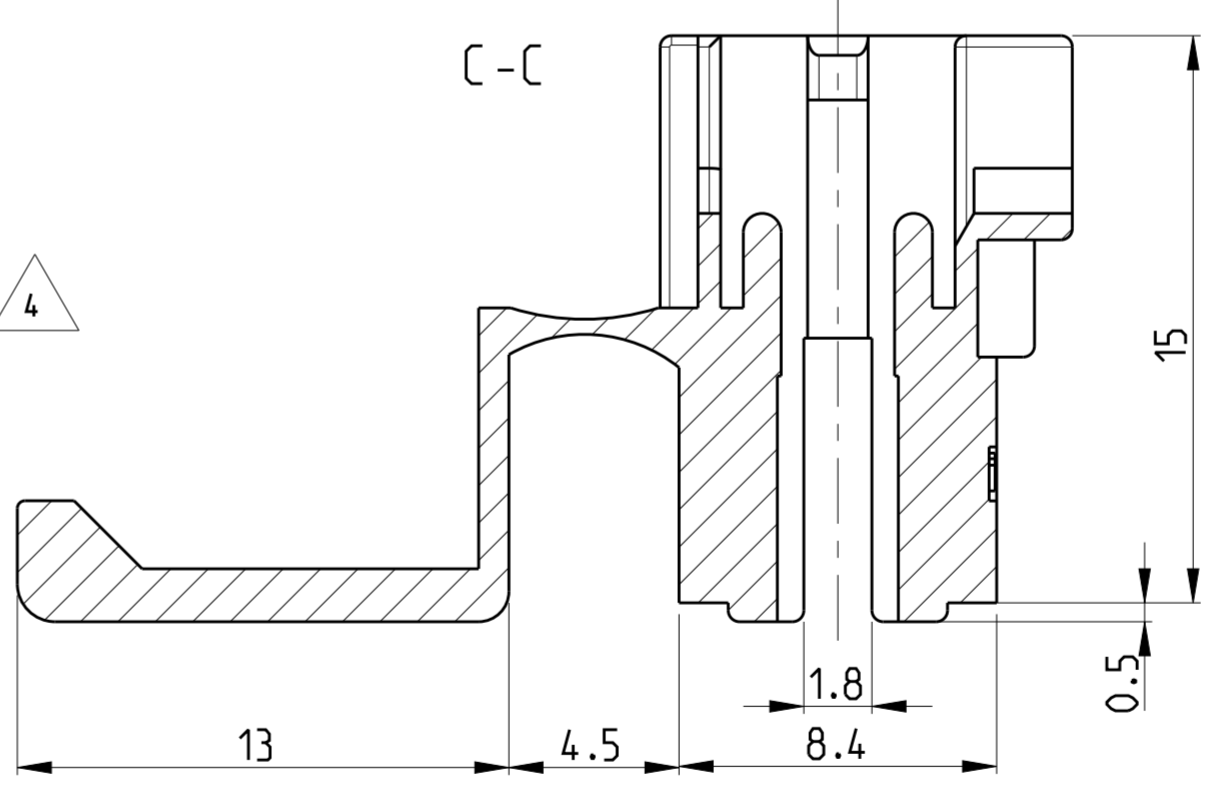
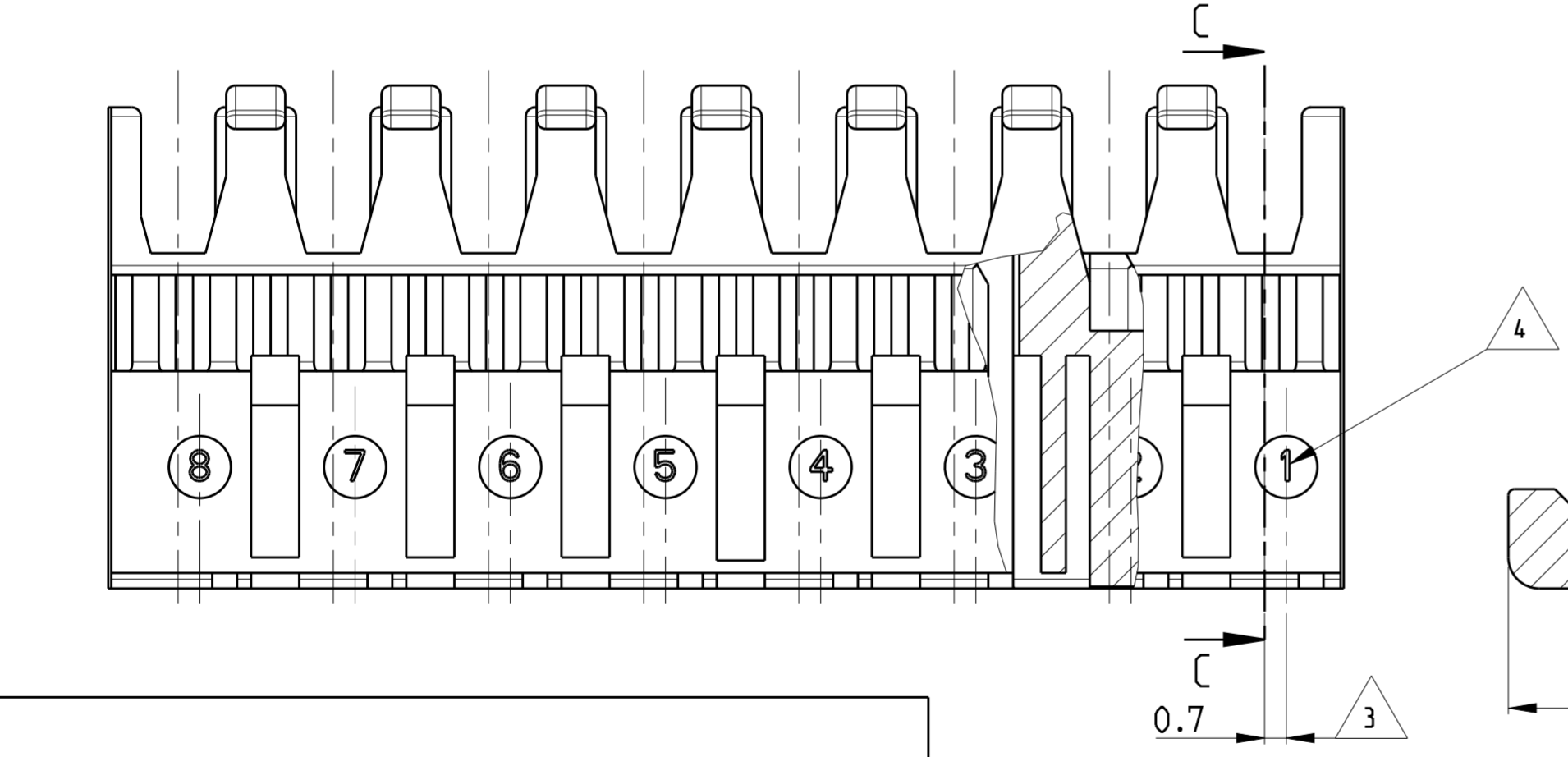
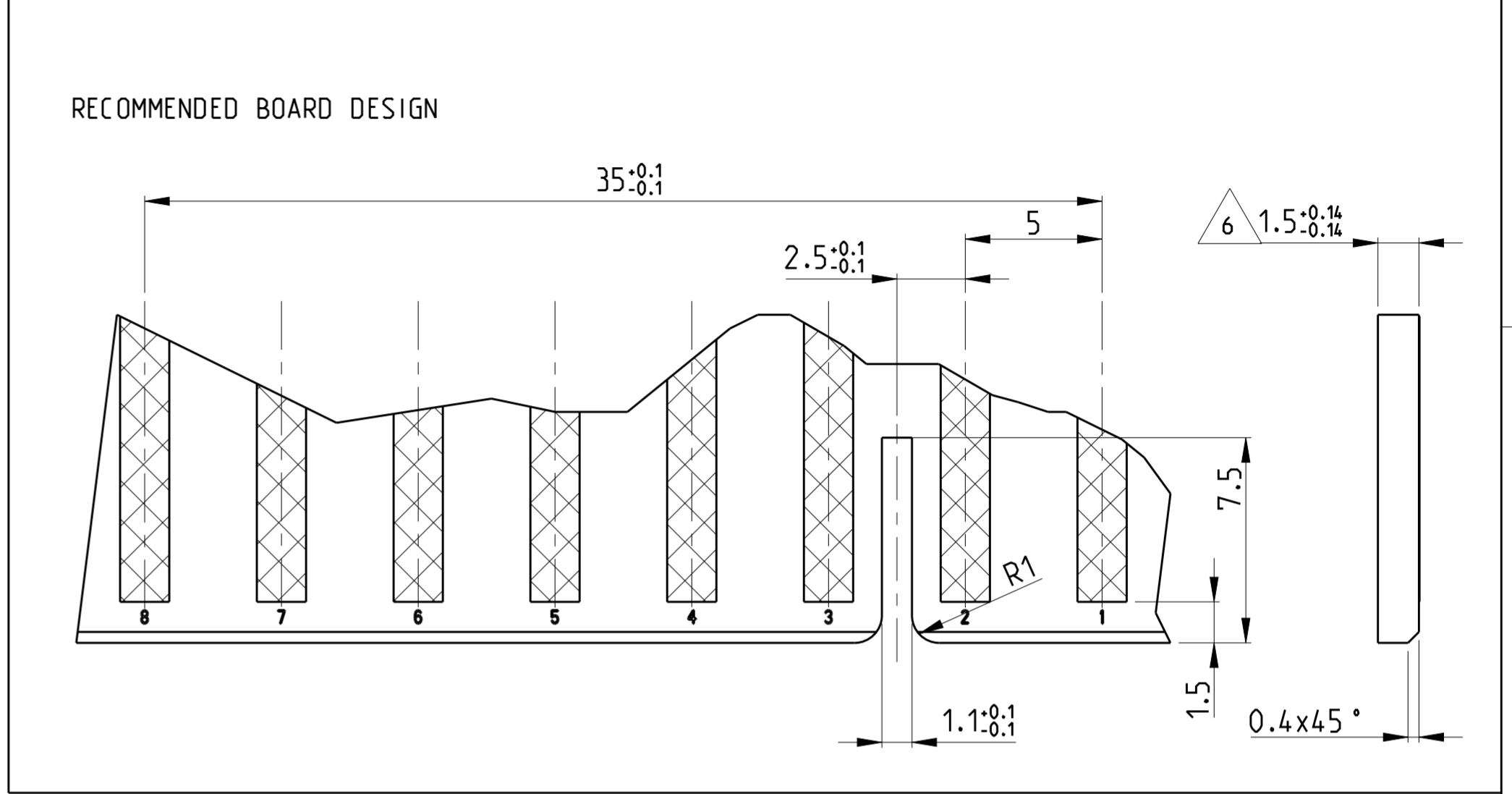
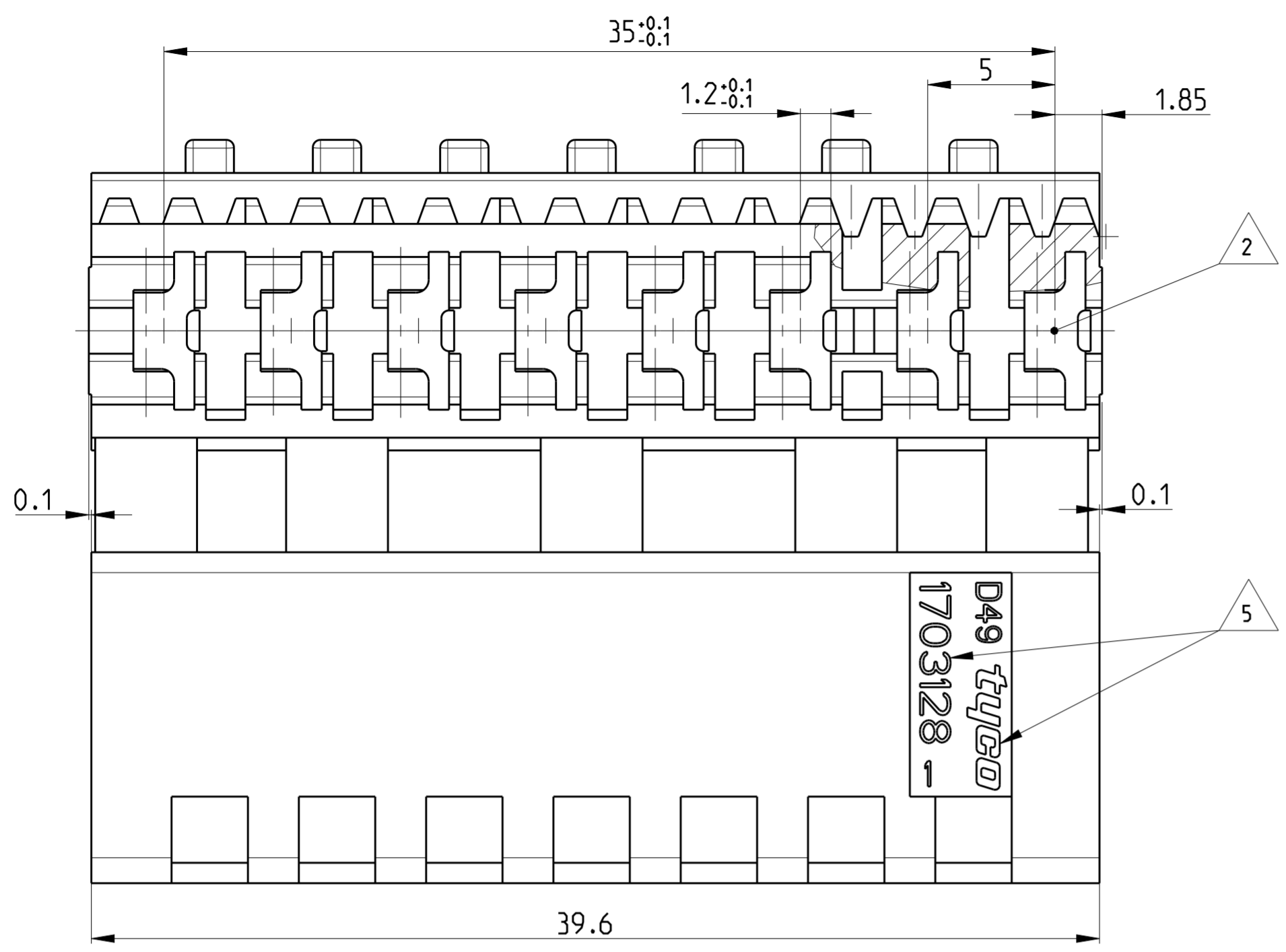
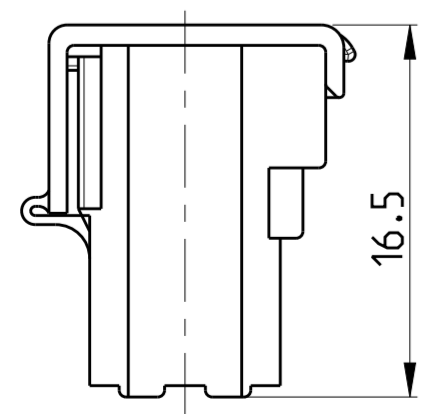


THIS DRAWING IS UNPUBLISHED. RELEASED FOR PUBLICATION 2003
 © COPYRIGHT 2003 BY TYCO ELECTRONICS CORPORATION. ALL RIGHTS RESERVED.

LOC		DIST		REVISIONS			
P	LTR	DESCRIPTION	DATE	DWN	APVD		
A		NEW DRAWING PUBLISHED	24SEP2004	MAH.	STRE.		
A1		ECR-10-017384	31AUG10	KK	HMR		
B		ECR-14-013035	1 SEP 2014	FFL	RR		



- Bemerkungen**
NOTES
- 1 Massgebend ist der deutsche Text
ONLY THE GERMAN-LANGUAGE VERSION SHALL BE BINDING
 - 2 Lage des Kontaktpunktes auf der Leiterplatte; Abweichung ±0.4
POSITION OF CONTACT POINT ON BOARD; DEVIATION ±0.4
 - 3 Kontaktierung zur Drahtmitte um 0.7mm versetzt
CONTACTING 0.7mm DISPLACED TO WIRE CENTRELINE
 - 4 Kontaktkammer-Nr.
CONTACT CAVITY #
 - 5 Firmenlogo und Leergehäuse-Nr.
ARTWORK LOGO AND HOUSING # (NON LOADED)
 - 6 Ausführung nach DIN 60249-2-4
BOARD DESIGN ACCORDING TO DIN 60249-2-4
 - 7 Crimp Kontakt-Nr.
Material: CuSn4 926770-1; 926917-1
CRIMP CONTACT #
MATERIAL: CuSn4



SCHEMATIC DESCRIPTION OF MT-EDGE HOUSING WITH CLOSED LID

1703128-1	B
Part Number	Revision

THIS DRAWING IS A CONTROLLED DOCUMENT FOR TYCO ELECTRONICS CORPORATION IT IS SUBJECT TO CHANGE AND THE CONTROLLING ENGINEERING ORGANIZATION SHOULD BE CONTACTED FOR THE LATEST REVISION.		DWN MAHNKE, B. 24SEP2004	tyco Electronics	tyco Electronics AMP GmbH D - 64625 Bensheim	
DIMENSIONS: mm		CHK STREDAK, F. 20DEC2004		NAME 8 POS. MT-EDGE HOUSING (RAST 5mm)	
TOLERANCES UNLESS OTHERWISE SPECIFIED:		APVD BLEICHER, M. 21DEC2004	PRODUCT SPEC 108-18003		
0 PLC ±		APPLICATION SPEC 114-18002			
1 PLC ±0.15mm		WEIGHT 3.900 g			
2 PLC ±		CUSTOMER DRAWING			
3 PLC ±		SCALE 5:1			
4 PLC ±		SHEET 1 OF 1			
ANGLES ±°		REV B			
FINISH					
MATERIAL PA6.6 / UL94V-2					

单击下面可查看定价，库存，交付和生命周期等信息

[>>TE Connectivity\(泰科\)](#)