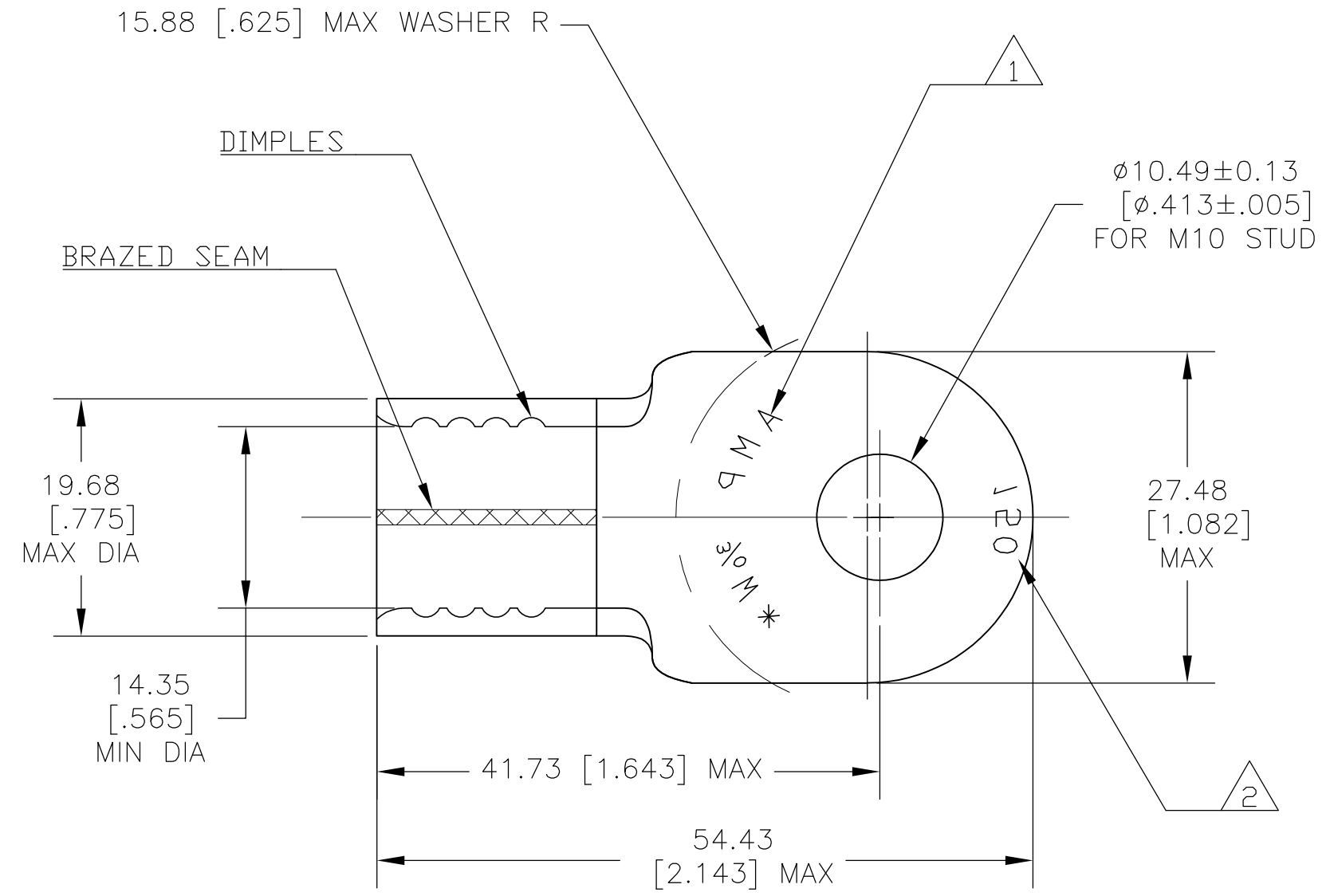


THIS DRAWING IS UNPUBLISHED. RELEASED FOR PUBLICATION
 © COPYRIGHT BY TYCO ELECTRONICS CORPORATION. ALL RIGHTS RESERVED.

LOC	DIST	REVISIONS					
G	14	P	LTR	DESCRIPTION	DATE	DWN	APVD
			A1	REV PER ECR 10-005269	09MAR10	JR	TM

AMP WIRE RANGE	Listed FILE E13288	LR7189 Certified
3/0 AWG SOLID OR STRANDED	3/0 AWG STRANDED	3/0 AWG SOLID OR STRANDED



- 1 STAMP "AMP3/0W*", APPROX AS SHOWN.
- 2 STAMP "150", APPROX AS SHOWN.
- 3 TONGUE MATERIAL THK 2.31±0.08 [.091±.003]
- 4 COPPER PER ASTM B-152, ANNEALED
- 5 TIN PLATE 0.00254 [.000100] MIN THK PER ASTM B-545

50	LOOSE PIECE	160003
QTY	PACKAGE TYPE	PART NO

CUSTOMER SERVICE SYSTEMS		MAX RECOMMENDED OPERATING TEMPERATURE: 170°C	THIS DRAWING IS A CONTROLLED DOCUMENT.		DWN jr_ruth 26JAN10	Tyco Electronics Corporation Harrisburg, PA 17105-3608	
FOR ADDITIONAL PRODUCT INFORMATION OR COPIES OF DRAWINGS AND TECHNICAL DOCUMENTS	PRODUCT INFORMATION CENTER 1-800-522-6752	VOLTAGE RATING: N/A	DIMENSIONS: MM [INCHES]	TOLERANCES UNLESS OTHERWISE SPECIFIED:	CHK TOM MICHIELUTTI 26JAN10	NAME TERMINAL, RING TONGUE, SOLISTRAND	
FOR APPLICATION TOOLING INFORMATION	TOOLING ASSISTANCE CENTER 1-800-722-1111	CIRCULAR MIL AREA: 76.3-96.3mm² [150,500-190,000] SOLID OR STRANDED		0 PLC ± - 1 PLC ± - 2 PLC ± 0.25 [.010] 3 PLC ± - 4 PLC ± - ANGLES ± 5°	APVD TOM MICHIELUTTI 26JAN10	APPLICATION SPEC	SIZE A3
FOR ORDER ENTRY	1-800-526-5142	THIS DRAWING IS A CONTROLLED DOCUMENT FOR AMP INCORPORATED. IT IS SUBJECT TO CHANGE AND THE CONTROLLING ENGINEERING ORGANIZATION SHOULD BE CONTACTED FOR THE LATEST REVISION.	MATERIAL - 4	FINISH - 5	PRODUCT SPEC	WEIGHT -	CAGE CODE 00779
					DRAWING NO G-160003		RESTRICTED TO -
					CUSTOMER DRAWING		SCALE 3:1
							SHEET 1 OF 1
							REV A1

单击下面可查看定价，库存，交付和生命周期等信息

[>>TE Connectivity\(泰科\)](#)