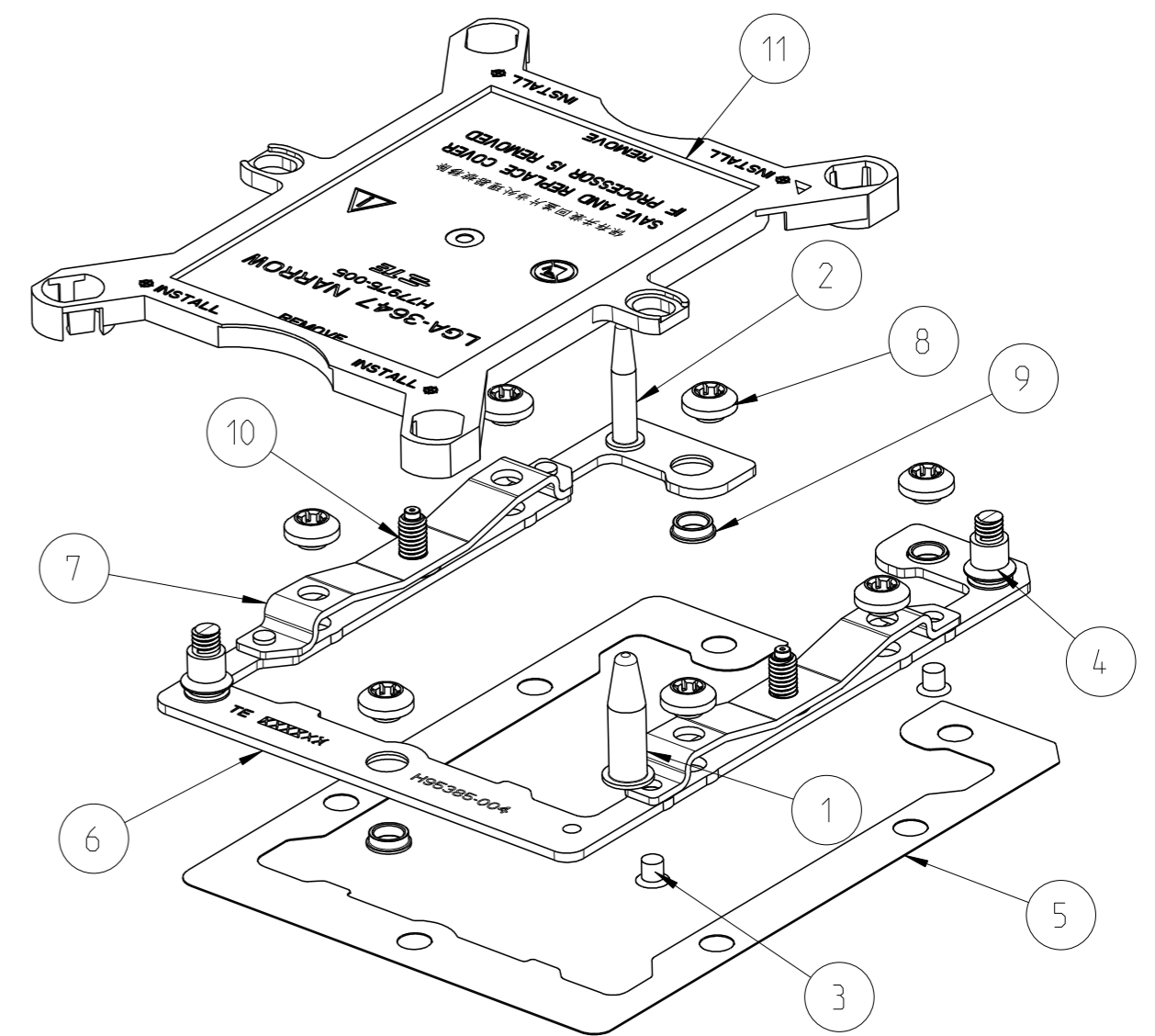
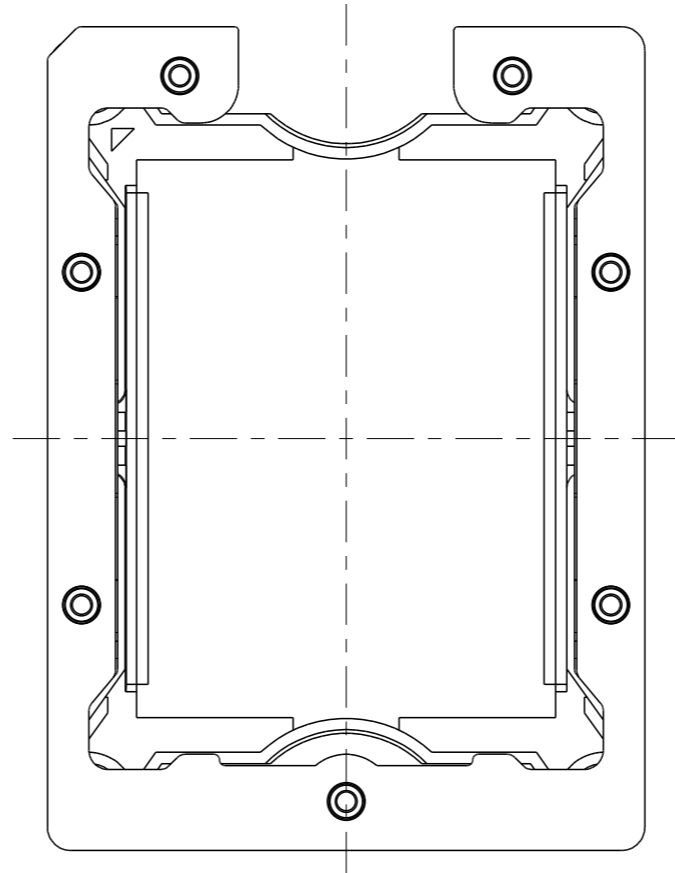
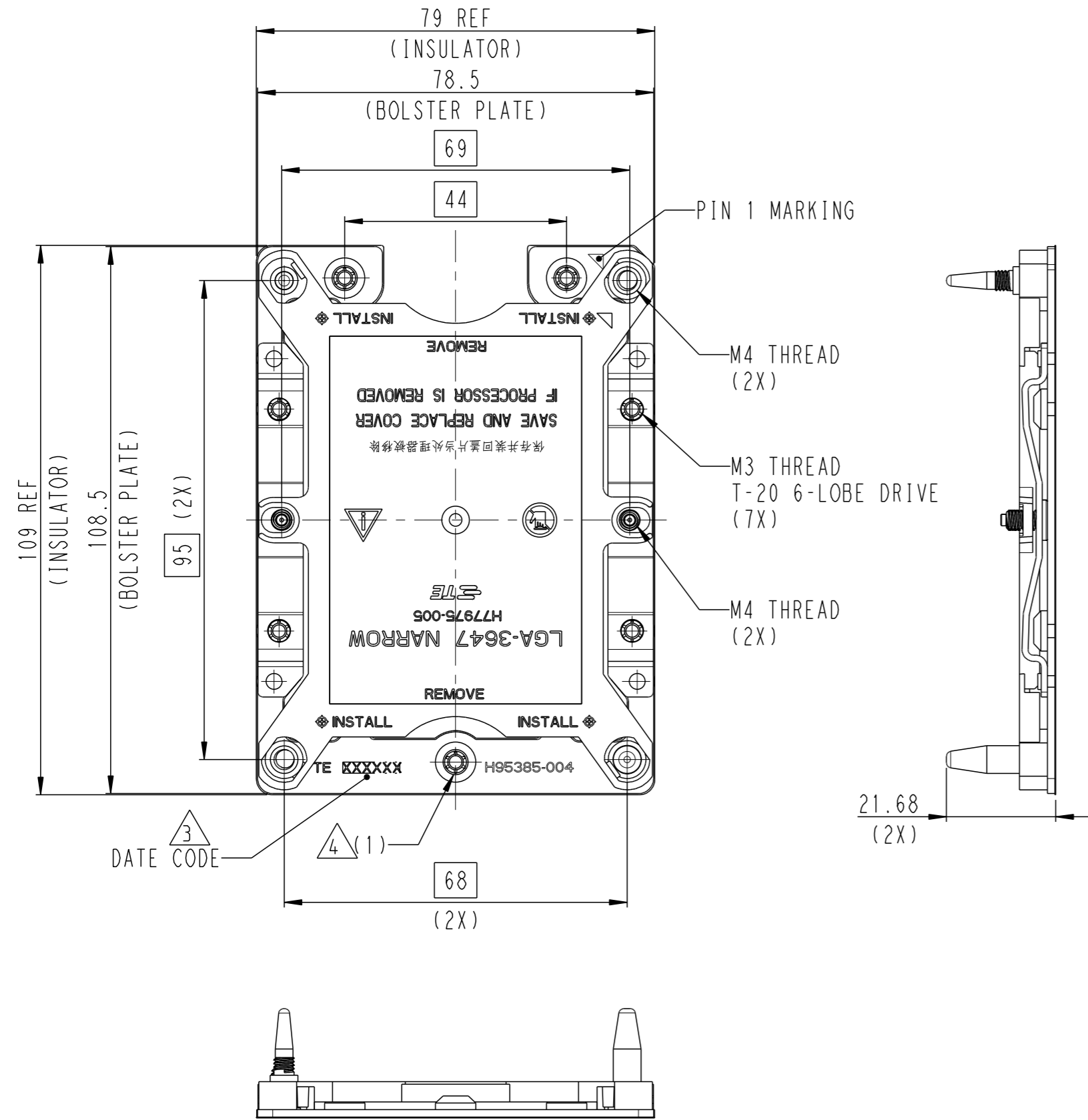


THIS DRAWING IS UNPUBLISHED. RELEASED FOR PUBLICATION
 © COPYRIGHT copyright_date - ALL RIGHTS RESERVED.

| REVISIONS | | | | |
|-----------|-----|-------------|---------|----------|
| P | LTR | DESCRIPTION | DATE | DWN APVD |
| | A2 | REVISED | 29MAR17 | J.W C.W |



P/N: 2299804-1 AS SHOW
(NRW-NF TYPE WITH COVER)

NOTES:

1. MATERIAL:

- ① BOLSTER LARGE GUIDE POST: STAINLESS STEEL
- ② BOLSTER SMALL GUIDE POST: STAINLESS STEEL
- ③ SKT-P-KNL, SPRING RIVET: STAINLESS STEEL
- ④ SKX BOLSTER CORNER STANDOFF: STAINLESS STEEL
- ⑤ SKX NRW NON FABRIC BOLSTER INSULATOR:
-POLYCARBONATE FILM PLUS ACRYLIC ADHESIVE LAYER
- ⑥ SKX NRW NON FABRIC BOLSTER PLATE: STAINLESS STEEL
- ⑦ SKX-EP NRW SPRING: STAINLESS STEEL
- ⑧ SOCKET P M3 BOLSTER CAPTIVE NUT: CARBON STEEL, NICKEL PLATING
- ⑨ SOCKET P M3 BOLSTER CAPTIVE NUT COLLAR: CARBON STEEL, NICKEL PLATING
- ⑩ SKT-EP SPRING STUD: STAINLESS STEEL
- ⑪ NRW DUST COVER: THERMO-PLASTIC, UL94V-0, BLACK

- 2. ASSEMBLED WITH BOLSTER ASSEMBLY P/N: 2299805 SERIES
- 3. INDICATED DATE CODE ON THE BOLSTER PLATE
- 4. NUT ASSEMBLY SEQUENCE FOR 6 CYCLES:
ASSEMBLE (1) AND THE REMAINING NUTS IN ANY ORDER.
DISSASSEMBLE IN REVERSE ORDER OF ASSEMBLE

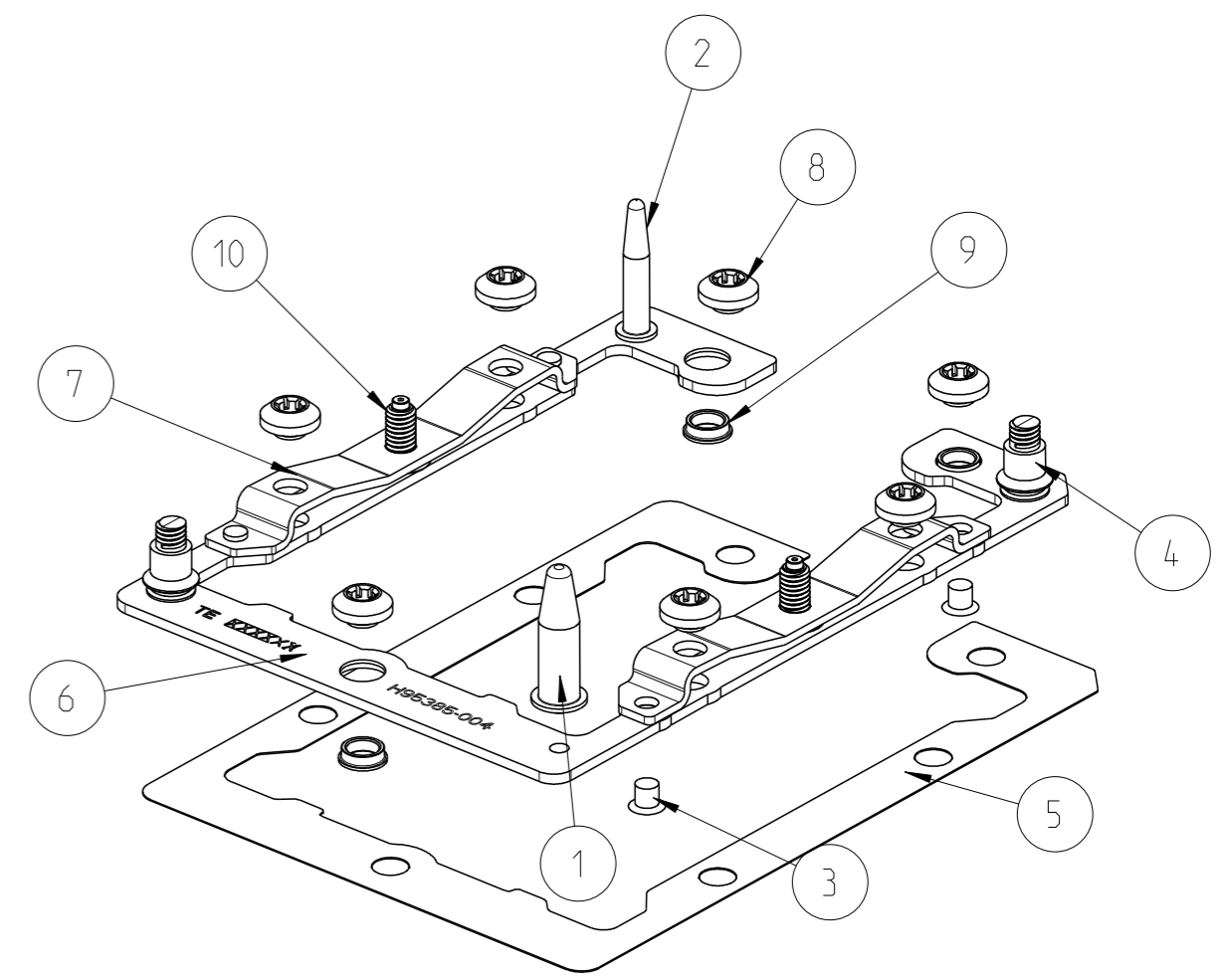
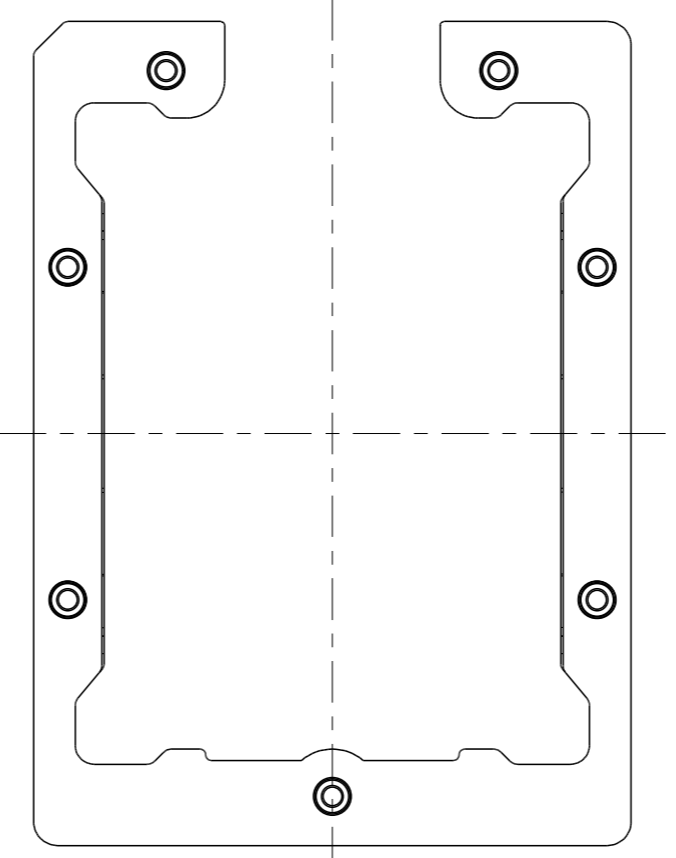
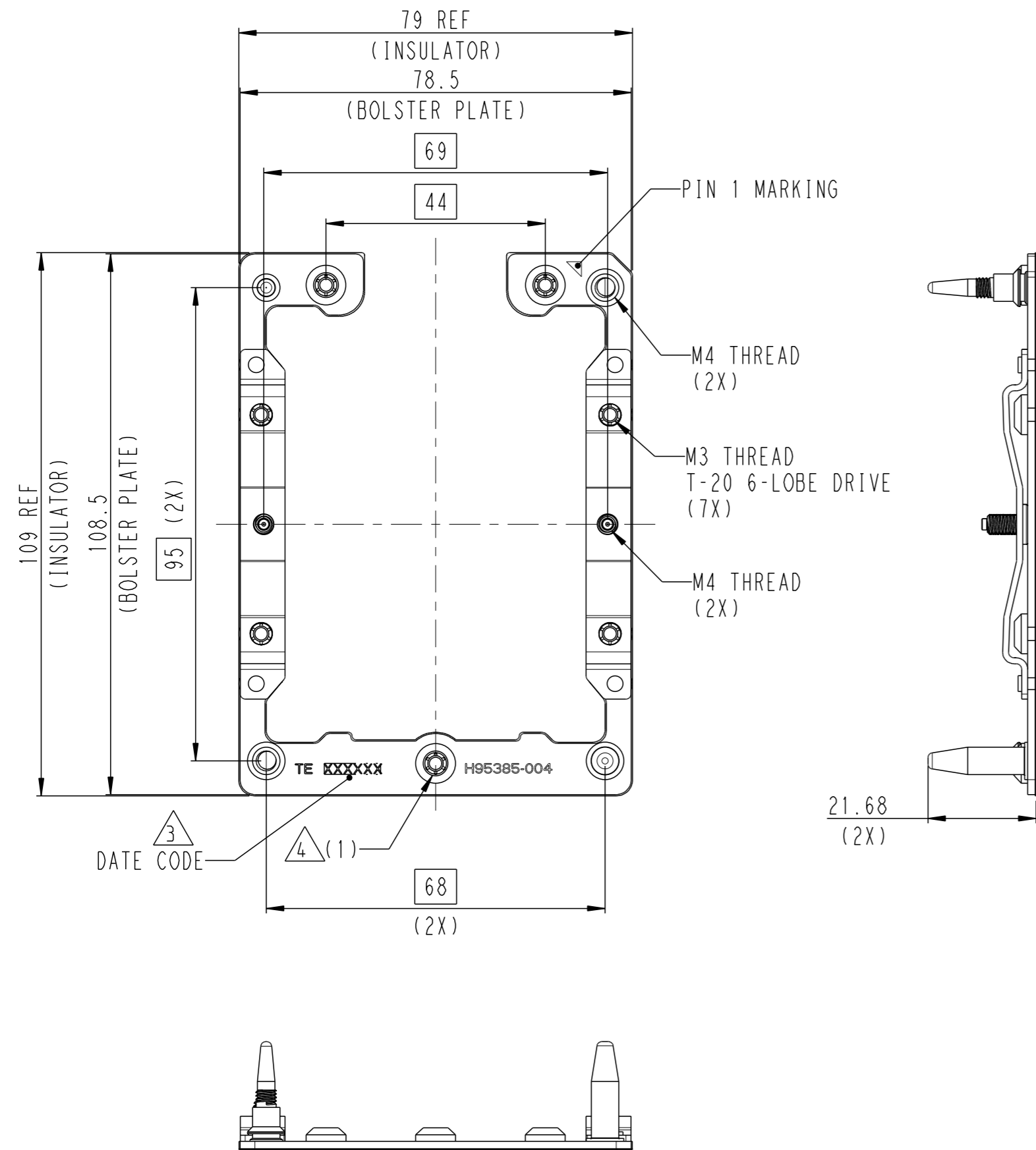
| Q'TY | DESCRIPTION | ITEM |
|------|--|------|
| 11 | NRW DUST COVER | 11 |
| 10 | SKT-EP SPRING STUD | 10 |
| 9 | SOCKET P M3 BOLSTER CAPTIVE NUT COLLAR | 9 |
| 8 | SOCKET P M3 BOLSTER CAPTIVE NUT | 8 |
| 7 | SKX-EP NRW SPRING | 7 |
| 6 | SKX NRW NON FABRIC BOLSTER PLATE | 6 |
| 5 | SKX NRW NON FABRIC BOLSTER INSULATOR | 5 |
| 4 | SKX BOLSTER CORNER STANDOFF | 4 |
| 3 | SKT-P-KNL, SPRING RIVET | 3 |
| 2 | KNL BOLSTER SMALL GUIDE POST | 2 |
| 1 | KNL BOLSTER LARGE GUIDE POST | 1 |

THIS DRAWING IS A CONTROLLED DOCUMENT.

| | | | |
|------------------|------------|--------------|---|
| DWN | JEFF WANG | 23 JUN 2016 | TE Connectivity |
| CHK | SIMON LI | 23 JUN 2016 | |
| APVD | COREL WANG | 23 JUN 2016 | |
| NAME | COREL WANG | | |
| PRODUCT SPEC | 108-115115 | | SKX-EP NRW-NF BOLSTER PLATE ASSY |
| APPLICATION SPEC | 114-115011 | | |
| WEIGHT | - | | SIZE: A2 CAGE CODE: - DRAWING NO: C-2299804 RESTRICTED TO: - |
| CUSTOMER DRAWING | SCALE: 1:1 | SHEET 1 OF 2 | REV: A2 |

THIS DRAWING IS UNPUBLISHED. RELEASED FOR PUBLICATION
 © COPYRIGHT copyright_date BY - ALL RIGHTS RESERVED.

| REVISIONS | | | | |
|-----------|-----|-------------|------|------|
| P | LTR | DESCRIPTION | DATE | APVD |
| - | - | SEE SHEET 1 | - | - |



NOTES:

- MATERIAL:
 - ① BOLSTER LARGE GUIDE POST: STAINLESS STEEL
 - ② BOLSTER SMALL GUIDE POST: STAINLESS STEEL
 - ③ SKT-P-KNL, SPRING RIVET: STAINLESS STEEL
 - ④ SKX BOLSTER CORNER STANDOFF: STAINLESS STEEL
 - ⑤ SKX NRW NON FABRIC BOLSTER INSULATOR: -POLYCARBONATE FILM PLUS ACRYLIC ADHESIVE LAYER
 - ⑥ SKX NRW NON FABRIC BOLSTER PLATE: STAINLESS STEEL
 - ⑦ SKX-EP NRW SPRING: STAINLESS STEEL
 - ⑧ SOCKET P M3 BOLSTER CAPTIVE NUT: CARBON STEEL, NICKEL PLATING
 - ⑨ SOCKET P M3 BOLSTER CAPTIVE NUT COLLAR: CARBON STEEL, NICKEL PLATING
 - ⑩ SKT-EP SPRING STUD: STAINLESS STEEL
- ASSEMBLED WITH BOLSTER ASSEMBLY P/N: 2299805 SERIES
- INDICATED DATE CODE ON THE BOLSTER PLATE
- NUT ASSEMBLY SEQUENCE FOR 6 CYCLES: ASSEMBLE (1) AND THE REMAINING NUTS IN ANY ORDER. DISSASSEMBLE IN REVERSE ORDER OF ASSEMBLE

P/N: 2299804-3 AS SHOW
(NRW-NF TYPE WITHOUT COVER)

| Q'TY | DESCRIPTION | ITEM |
|------|--|------|
| 10 | SKT-EP SPRING STUD | 10 |
| 9 | SOCKET P M3 BOLSTER CAPTIVE NUT COLLAR | 9 |
| 8 | SOCKET P M3 BOLSTER CAPTIVE NUT | 8 |
| 7 | SKX-EP NRW SPRING | 7 |
| 6 | SKX NRW NON FABRIC BOLSTER PLATE | 6 |
| 5 | SKX NRW NON FABRIC BOLSTER INSULATOR | 5 |
| 4 | SKX BOLSTER CORNER STANDOFF | 4 |
| 3 | SKT-P-KNL, SPRING RIVET | 3 |
| 2 | KNL BOLSTER SMALL GUIDE POST | 2 |
| 1 | KNL BOLSTER LARGE GUIDE POST | 1 |

THIS DRAWING IS A CONTROLLED DOCUMENT.

| | | | |
|----------------------------|--|------------------|-----------------------|
| DWN: JEFF WANG 23JUN2016 | | NAME | |
| CHK: SIMON LI 23JUN2016 | | COREL WANG | |
| APVD: COREL WANG 23JUN2016 | | PRODUCT SPEC | |
| | | APPLICATION SPEC | |
| DIMENSIONS: mm | TOLERANCES UNLESS OTHERWISE SPECIFIED: | 108-115115 | SIZE: A2 |
| 0 PLC ±0.3 | 1 PLC ±0.3 | 114-115011 | CAGE CODE: - |
| 2 PLC ±0.3 | 3 PLC ±0.3 | WEIGHT: - | DRAWING NO: C=2299804 |
| 4 PLC ±0.3 | ANGLES ±3 | CUSTOMER DRAWING | RESTRICTED TO: - |
| MATERIAL: - | FINISH: - | SCALE: 1:1 | SHEET 2 OF 2 REV A2 |

单击下面可查看定价，库存，交付和生命周期等信息

[>>TE Connectivity\(泰科\)](#)