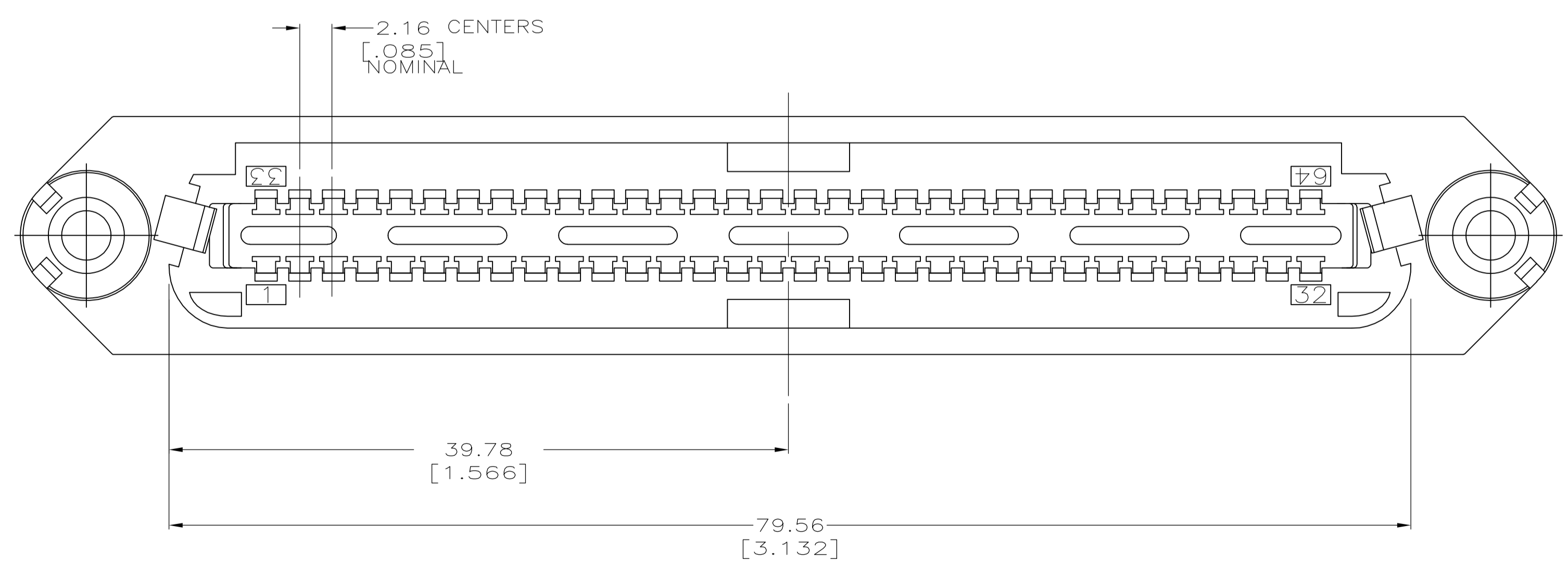
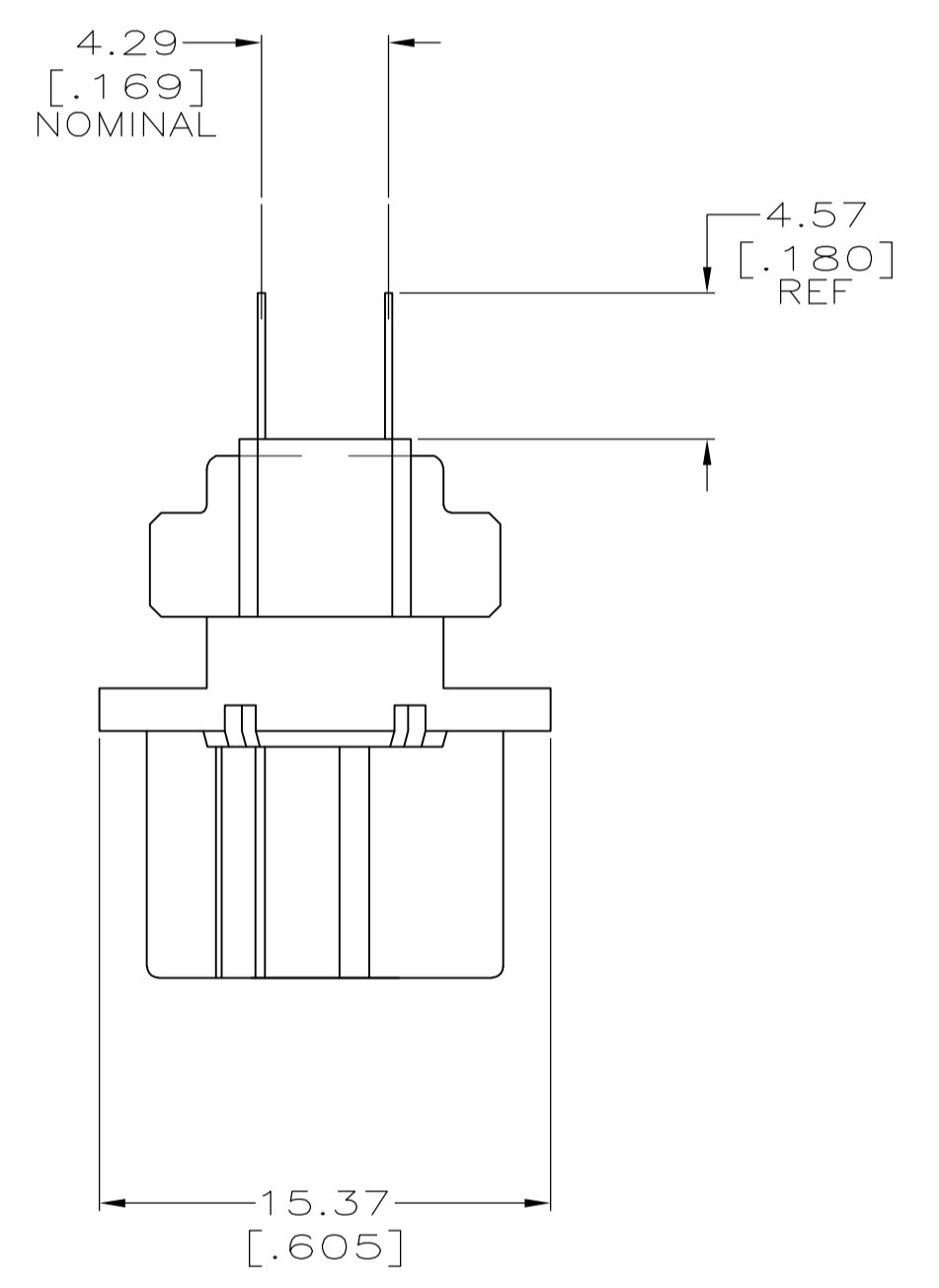
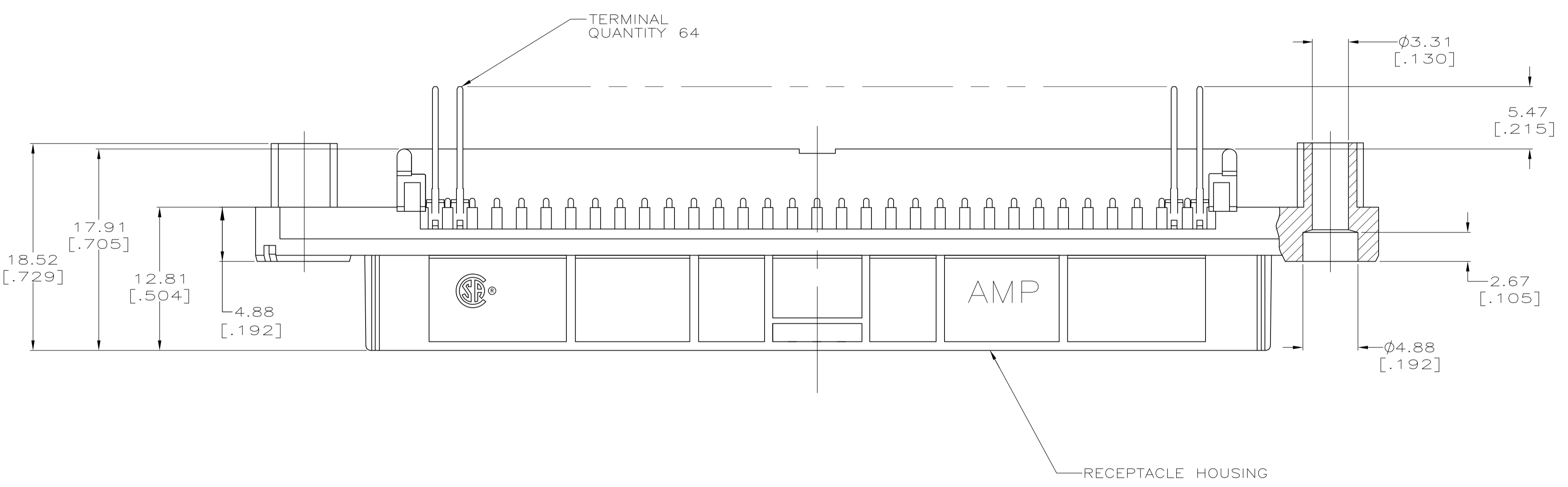
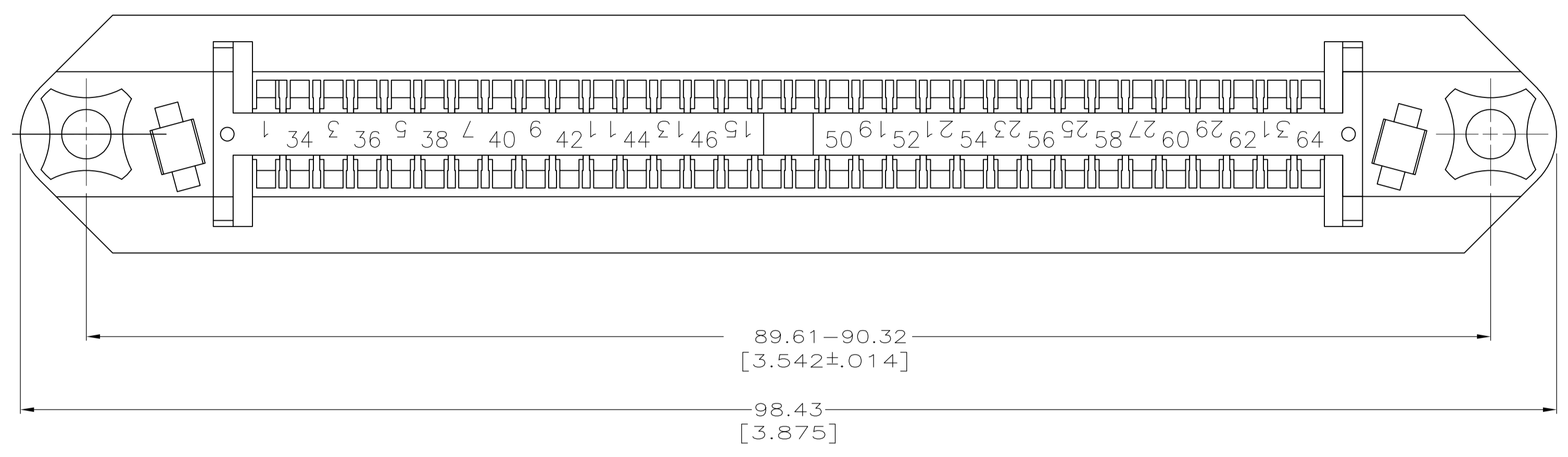


LOC		DIST		REVISIONS			
GP	00	REV	DATE	BY	APP'D		
B		REVISED PER ECO-08-007327	22JUL08	BM	WM		

1. THE CONTACT SURFACES OF THE TERMINALS ARE COATED WITH LUBRICANT.
2. DIMENSIONS SHOWN ARE MAXIMUM UNLESS OTHERWISE SPECIFIED.
3. MATERIAL: HOUSING - THERMOPLASTIC, BLACK.  
 TERMINAL - PHOS BRONZE PLATED WITH EITHER 0.76μm [.000030] MINIMUM GOLD PLATE OR GOLD FLASH OVER PALLADIUM NICKEL PLATE, 0.76μm [.000030] MINIMUM TOTAL ON MATING SURFACE. 3.05μm [.000120] MINIMUM TIN PLATE ON TAILS OVER 1.27μm [.000050] MINIMUM NICKEL UNDERPLATE OVER ENTIRE TERMINAL.



5552246-1  
 PART NUMBER

THIS DRAWING IS A CONTROLLED DOCUMENT.		OWN: B. LATTUCA 12AUG05	Tyco Electronics Corporation Harrisburg, Pa 17105-3608
		CHK: W. MILLHIMES 12AUG05	
DIMENSIONS: INCHES		APPRO: M. WALMSL 12AUG05	NAME: RECEPTACLE ASSEMBLY, 64 POSITION, VERTICAL MOUNTING.
TOLERANCES UNLESS OTHERWISE SPECIFIED:		PRODUCT SPEC	SIZE: A1
0 PLC ± -	1 PLC ± -	APPLICATION SPEC	CAGE CODE: 00779
2 PLC ± -	3 PLC ± -	WEIGHT: -	DRAWING NO: 5552246
4 PLC ± -	ANGLES ± -	CUSTOMER DRAWING	SCALE: 4:1
MATERIAL: 3	FINISH: 3		SHEET 1 OF 1
			REV B

单击下面可查看定价，库存，交付和生命周期等信息

[>>TE Connectivity\(泰科\)](#)