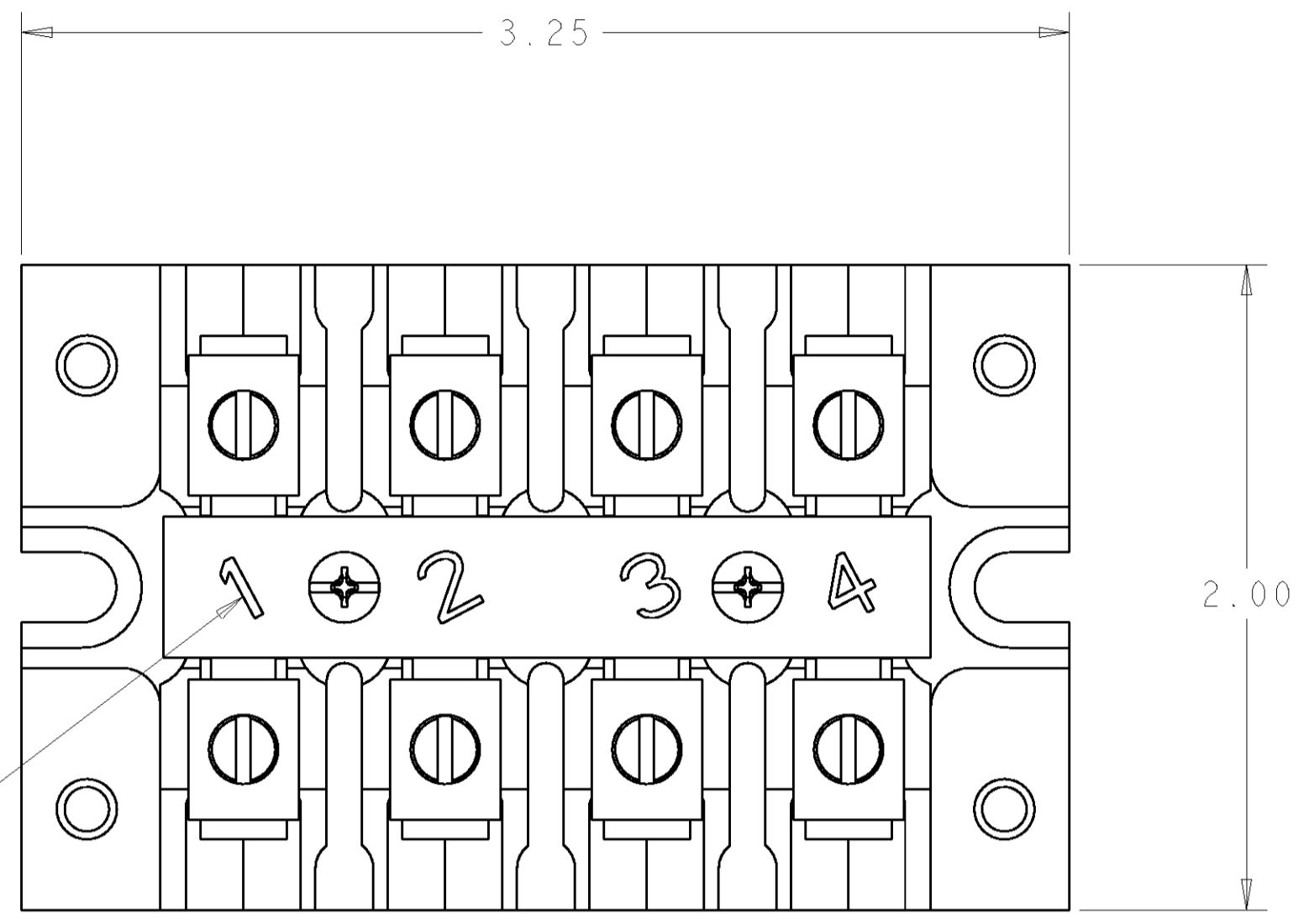
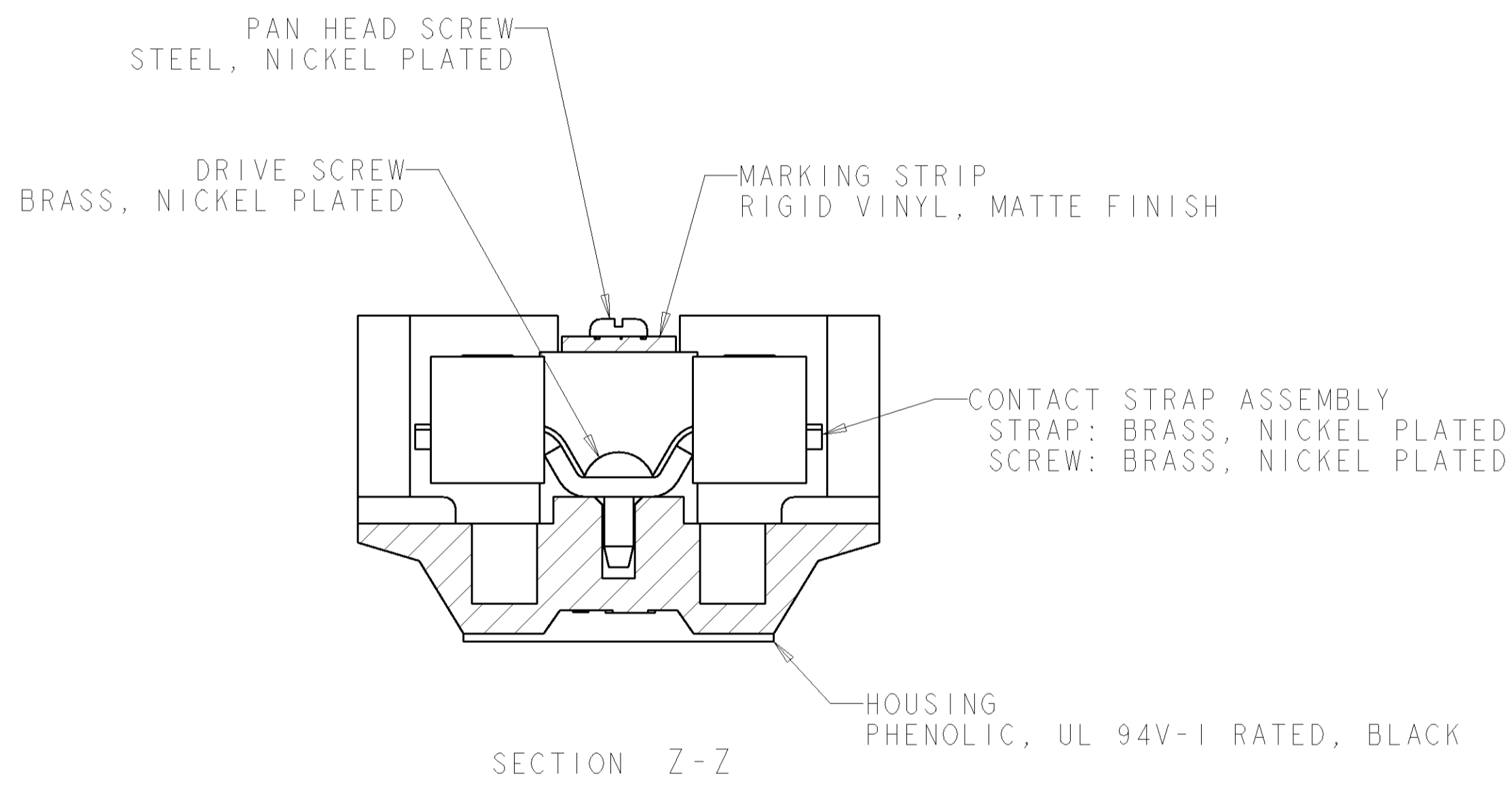
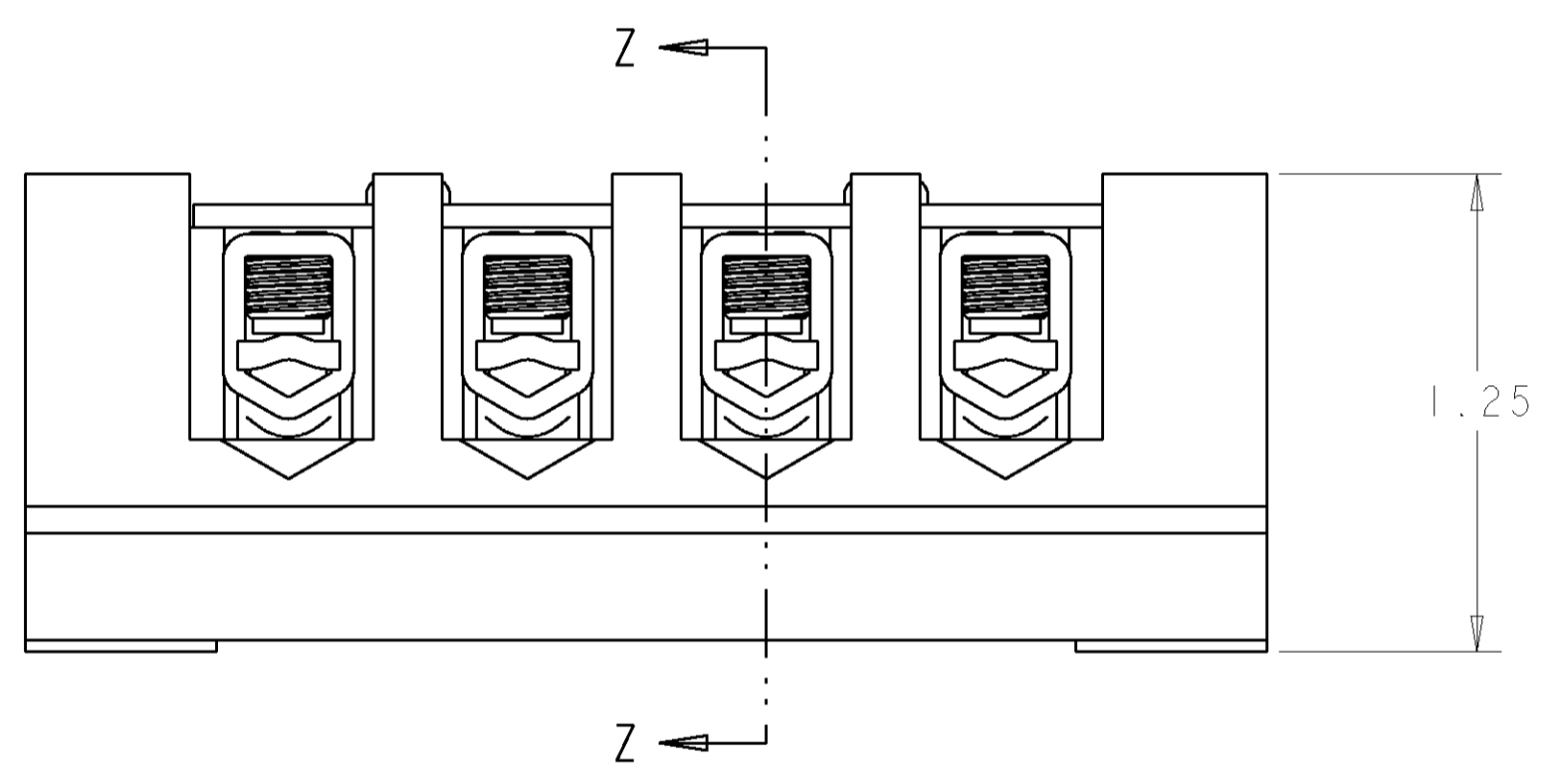


LOC		DIST		REVISIONS			
FT	0	P	LTR	DESCRIPTION	DATE	DWN	APVD
		A		REVISED EC 063B-0941-03	17MAR2004	SW	SY



MARKING, SEE TABLE

1. ALL PARTS TO BE ASSEMBLED AS SHOWN.
 △ CHARACTERS INK STAMPED WHITE ON BLACK SIDE OF MARKING STRIP.



OBSOLETE	△	4	B104SN	3-1437382-8
-	-	4	B104S	3-1437382-6
STATUS	MARKING	NO OF POSN	CATALOG NUMBER	PART NUMBER

DIMENSIONS:		TOLERANCES UNLESS OTHERWISE SPECIFIED:		BUCHANAN	
INCHES	0 PLC ±.0	1 PLC ±0.0	2 PLC ±0.01	3 PLC ±0.005	4 PLC ±0.000
	ANGLES ±.0000	DWN S. WELDON 17MAR2004 CHK S. YODER 17MAR2004 APVD S. YODER 17MAR2004 Tyco Electronics Harrisburg, PA 17105-3608			
MATERIAL	FINISH	PRODUCT SPEC	NAME	SIZE	CAGE CODE
-	-	APPLICATION SPEC	BLOCK ASSEMBLY, ONE PIECE, .625 PITCH	A1	00779
CUSTOMER DRAWING		WEIGHT	SCALE	2:1	SHEET 1 OF 1

单击下面可查看定价，库存，交付和生命周期等信息

[>>TE Connectivity\(泰科\)](#)