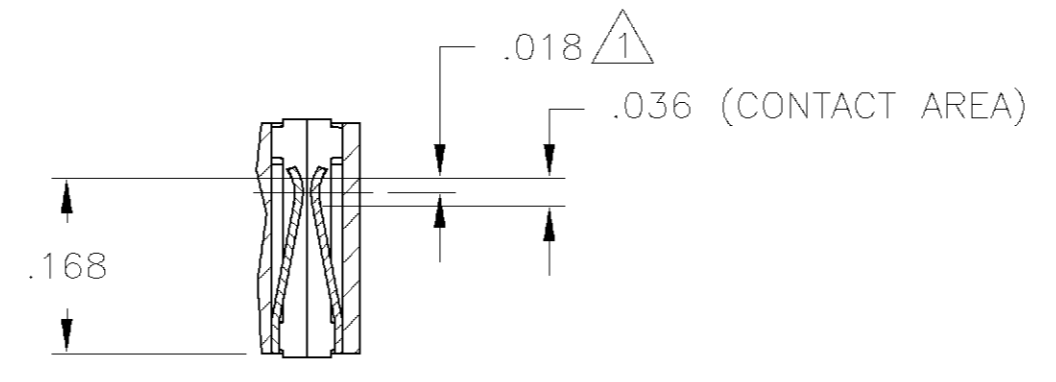
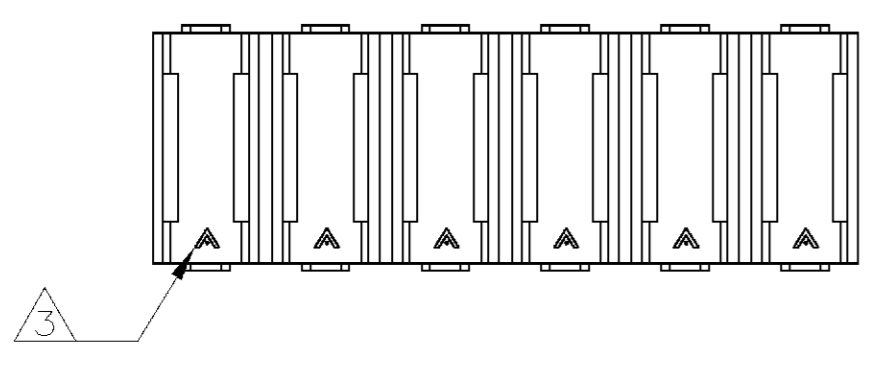


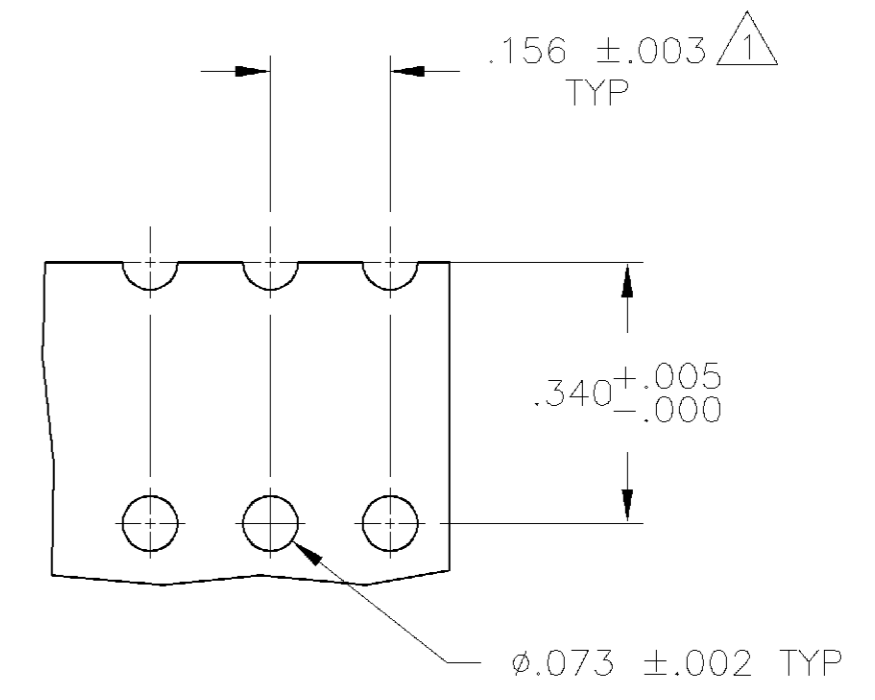
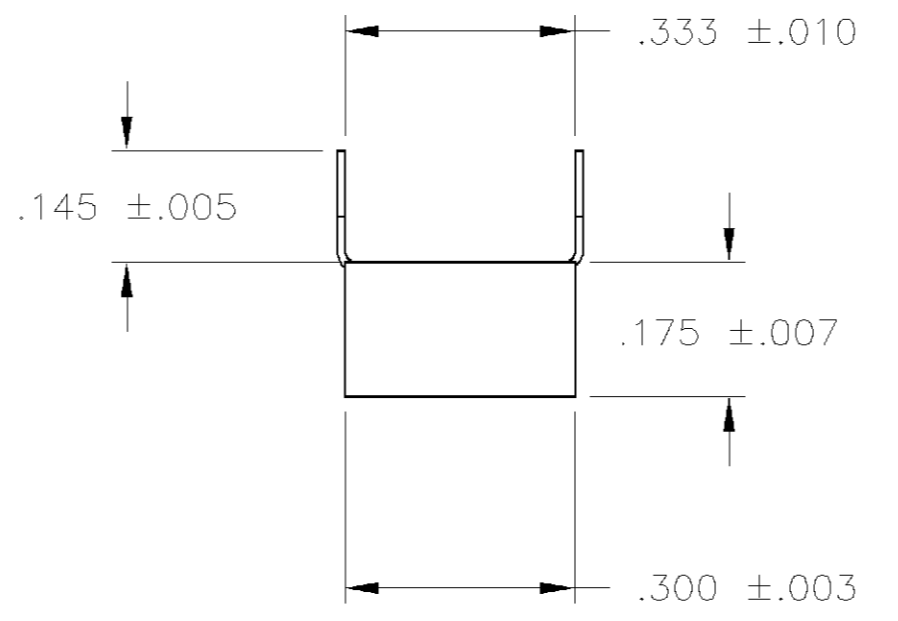
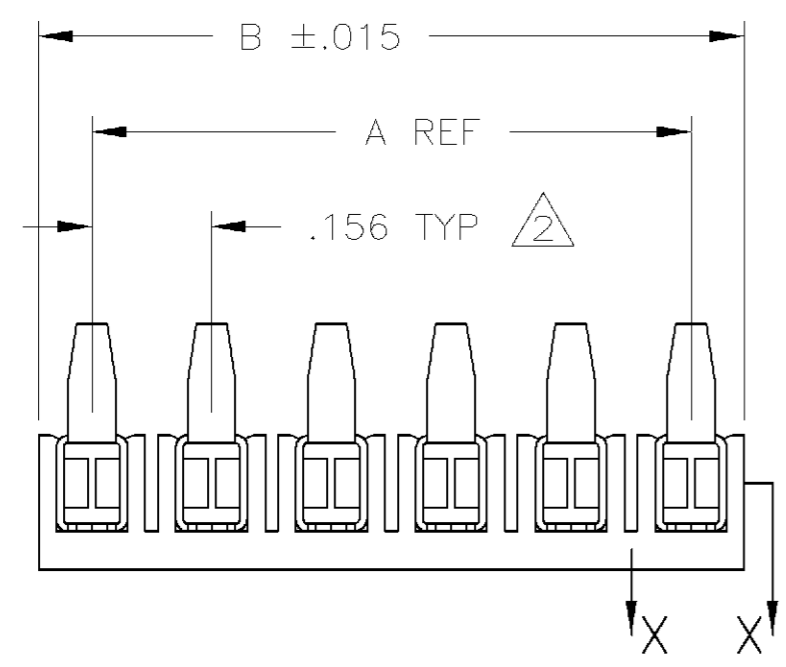
THIS DRAWING IS UNPUBLISHED. RELEASED FOR PUBLICATION
 © COPYRIGHT BY TYCO ELECTRONICS CORPORATION. ALL RIGHTS RESERVED.

LOC		DIST		REVISIONS			
P	LTR	DESCRIPTION		DATE	DWN	APVD	
B		REV PER 0G3C-0229-01		05SEP01	MB	DS	

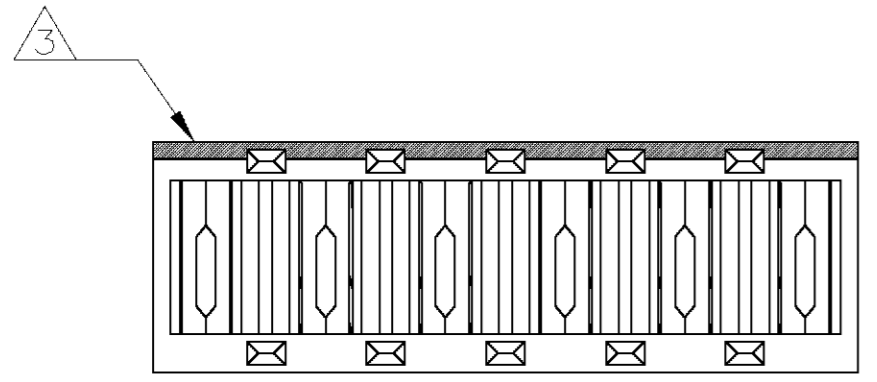


SECTION X-X

- 1 POINT OF MEASUREMENT FOR PLATING THICKNESS (INSIDE OF BEAMS).
- 2 TOLERANCE NON-CUMULATIVE.
- 3 THE MATING END OF THE CONTACT IS IDENTIFIED BY THE LETTER "A" STAMPED ON THE RECEPTACLE BOX AS WELL AS THE WHITE STRIPE LOCATED ON THE TOP OF THE HOUSING.
- 4 MATERIAL: HOUSING- FLAME RETARDANT THERMOPLASTIC, COLOR- BLACK. CONTACTS- PHOS BRONZE.
- 5 FINISH: CONTACTS- .000079 MIN THK TIN PLATE.



RECOMMENDED BOARD MOUNTING
 (RECOMMENDED BOARD THICKNESS: .055-.103)



1.872	1.716	12	1-147534-2
B	A	NO OF POSN	ASSEMBLY PART NUMBER

THIS DRAWING IS A CONTROLLED DOCUMENT.		DWN R BROWN 03NOV00	Tyco Electronics Corporation	
DIMENSIONS: INCHES		CHK M ZITTO 02NOV00	City, State, Zip	
TOLERANCES UNLESS OTHERWISE SPECIFIED:		APVD M ZITTO 02NOV00	NAME	
0 PLC ± -		PRODUCT SPEC	ASSY, MOD I, BOARD MOUNT RECP,	
1 PLC ± -		108-25,016	.156 CL, HIGH PRESSURE, TYPE C,	
2 PLC ± -		APPLICATION SPEC	FOR ROUND HOLE MOUNTING	
3 PLC ± .005		114-25,004	SIZE A2	CAGE CODE 00779
4 PLC ± -		WEIGHT	DRAWING NO C=147534	RESTRICTED TO
ANGLES ± -		CUSTOMER DRAWING	SCALE 4:1	SHEET 1 OF 1
MATERIAL SEE NOTE 4		FINISH SEE NOTE 5	REV B	

单击下面可查看定价，库存，交付和生命周期等信息

[>>TE Connectivity\(泰科\)](#)