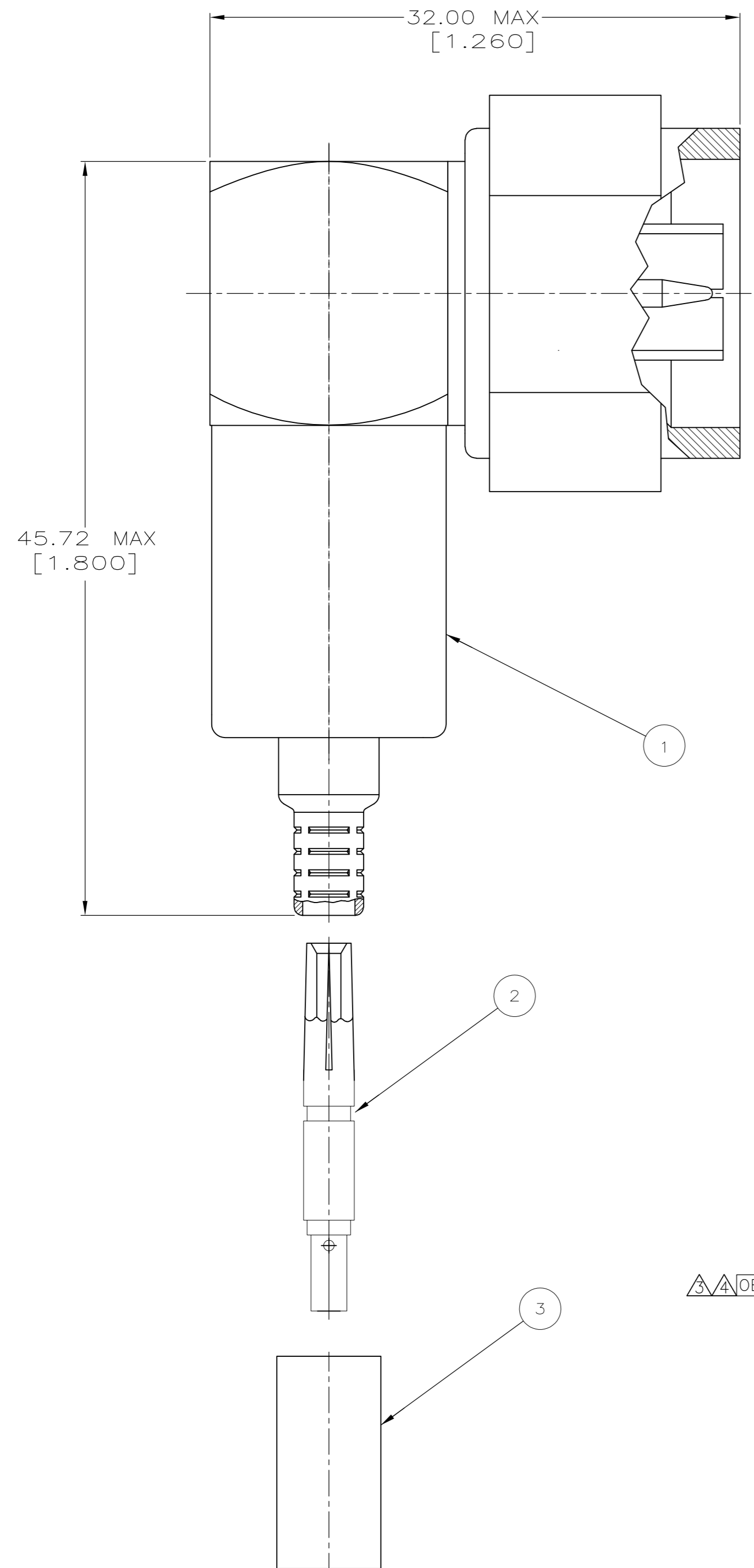
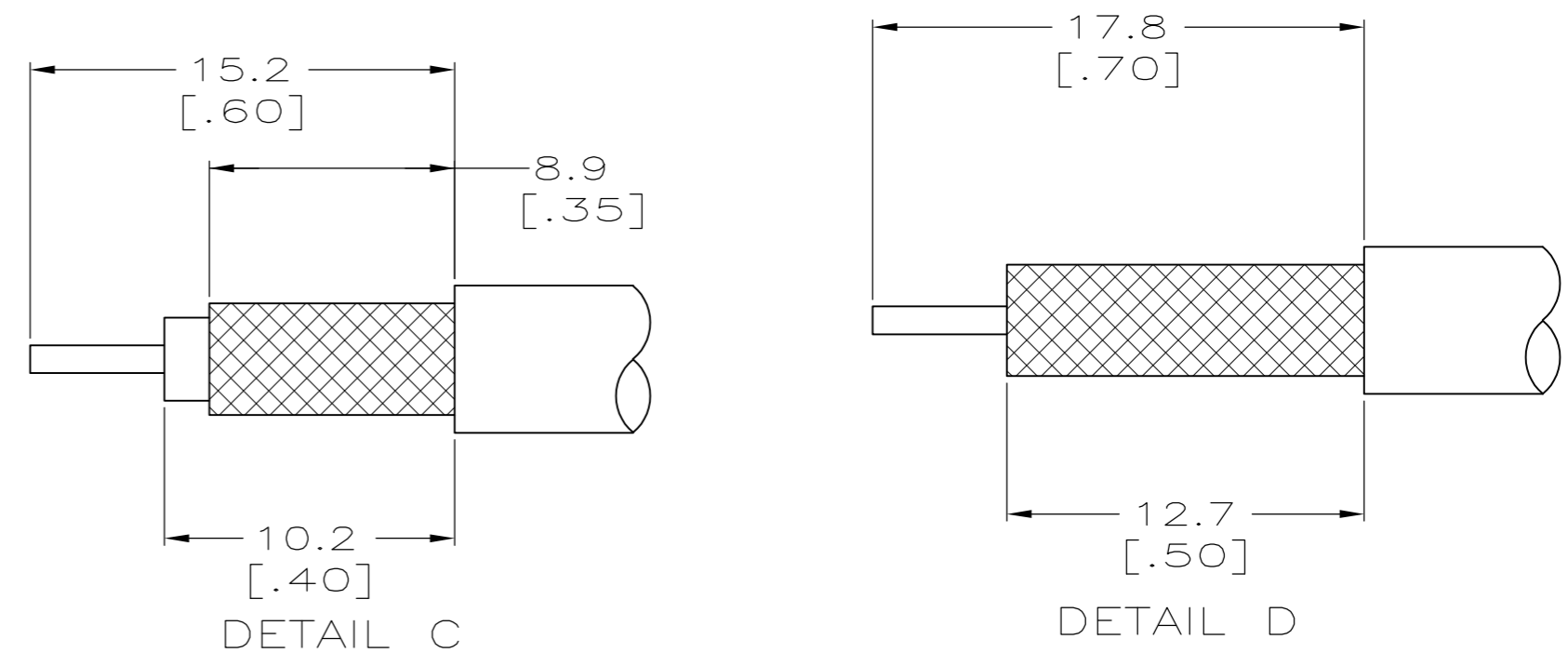


THIS DRAWING IS UNPUBLISHED. RELEASED FOR PUBLICATION  
 © COPYRIGHT BY TYCO ELECTRONICS CORPORATION. ALL RIGHTS RESERVED.

| LOC | DIST | REVISIONS |     |                           |           |     |      |
|-----|------|-----------|-----|---------------------------|-----------|-----|------|
|     |      | P         | LTR | DESCRIPTION               | DATE      | DWN | APVD |
| AJ  | 16   | 0         |     | REV PER EC-0S14-0496-04   | 01FEB2005 | GA  | GM   |
|     |      | 01        |     | REVISED PER ECO-09-024927 | 04NOV09   | KK  | AEG  |



- 1. FOR USE WITH AMP PRO-CRIMPER II HAND TOOL, PART # 354940-1, OR WITH THE 626 SERIES PNEUMATIC TOOL WITH ADAPTER #679304-1
- ⚠ REQUIRES PRO-CRIMPER II DIE SET PART # 58436-1. FOR CONTACT AND BRAID TERMINATION.
- ⚠ REQUIRES PRO-CRIMPER II DIE SET PART # 58485-1. FOR CONTACT AND BRAID TERMINATION.
- ⚠ OBSOLETE PARTS: OBSOLETE CIS STREAMLINING PER D.RENAUD/D.SINISI



RECOMMENDED STRIP LENGTHS

|            |                  |                             |              |                 |                 |                   |             |
|------------|------------------|-----------------------------|--------------|-----------------|-----------------|-------------------|-------------|
| ⚠ OBSOLETE | RG-9/U & 214/U   | CONTACT: .100, BRAID: .429  | DETAIL D     | 9-221132-5      | 415247-4        | 415256-2          | -5415255-4- |
|            | RG-58/AU & 58C/U | CONTACT: .068, BRAID: .213  | DETAIL C     | 9-221132-0      | 415246-4        | 415256-1          | 5415255-1   |
|            | CABLE            | HEX CRIMP HEIGHTS IN INCHES | STRIP LENGTH | ③ FERRULE QTY=1 | ② CONTACT QTY=1 | ① PLUG ASSY QTY=1 | PART NUMBER |

THIS DRAWING IS A CONTROLLED DOCUMENT.

|                         |  |                                  |   |
|-------------------------|--|----------------------------------|---|
| DIMENSIONS: mm [inches] | TOLERANCES UNLESS OTHERWISE SPECIFIED: | DWN G. ATTADIA - DOCK5 01FEB2005 | Tyco Electronics Tyco Electronics Corporation Harrisburg, PA 17105-3608 |
|                         |  | CHK J. HAVENER 01FEB2005         |   |
|                         |  | APVD G. MICHAEL 01FEB2005        | NAME  |
|                         |  |                                  | PLUG, RIGHT ANGLE, SERIES N   |
| MATERIAL                | FINISH                                 | WEIGHT                           | SIZE A2 CAGE CODE 00779 DRAWING NO C=5415255 RESTRICTED TO              |
|                         |  |                                  | SCALE 4:1 SHEET 1 OF 1 REV 01   |

CUSTOMER DRAWING

单击下面可查看定价，库存，交付和生命周期等信息

[>>TE Connectivity\(泰科\)](#)