

DRAWING MADE IN AMERICAN PROJECTION

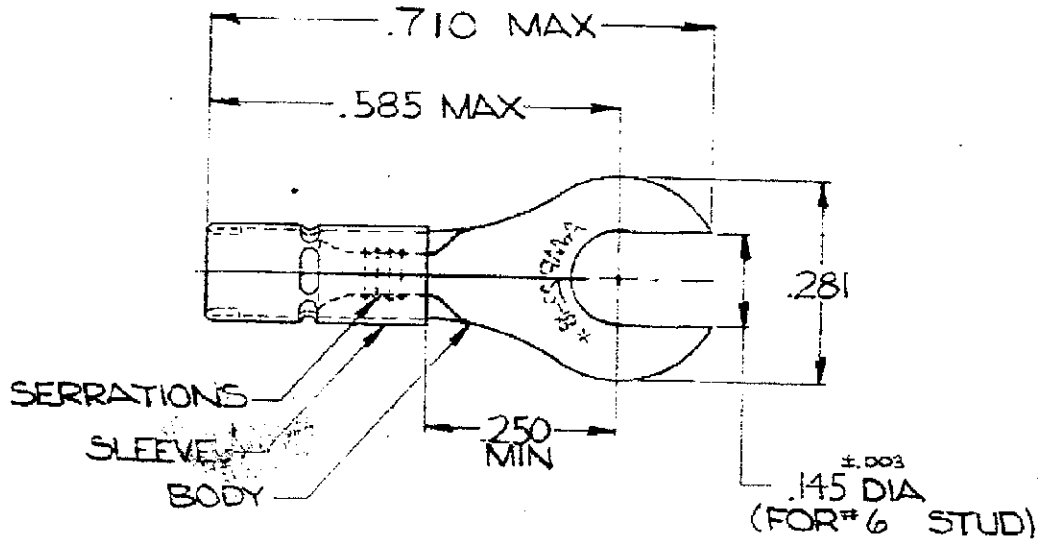
LOC **G** PRINT DIST **14 C**

©1947 BY AMP INCORPORATED. ALL RIGHTS RESERVED. AMP PRODUCTS COVERED BY PATENTS AND/OR PATENTS PENDING.

REVISIONS

LTR	DESCRIPTION	DATE	APPROVED
A	REDRAWN & UPDATED PC-5558	10-3-69	JM
B	REV. & ADDED TAPE NO.	5-11-71	FEY
C	INACTIVATED 2-1 P-9241	11-30-81	JFM
C1	REV PER ECR 06-024909	10/26/06	JR/TM

34101



TONGUE MATERIAL THICKNESS =  $\pm .002$  .031  
 FOR .080 TO .125 WIRE INSULATION DIA  
 MARKING 22-18 FOR MILITARY  
 COMMERCIAL RANGE 22-16

34101	2-34101-1
PART NO.	PART NO. ON TAPE

UNLESS OTHERWISE SPECIFIED DIMENSIONS ARE IN INCHES TOLERANCES ON: DECIMALS ± .008 ANGLES ± 5°	CONTRACT NO. <u>4</u>	<b>AMP</b> AMP INCORPORATED HARRISBURG, PENNSYLVANIA
	DR. <u>H. Benscoter 9/2/69</u>	
MATERIAL COPPER (QQ-C-576)  TIN PL (L-T-10727)	CHK. <u>JM Eversman 10-5-69</u>	WIRE TERMINAL DIAMOND GRIP-SLOTTED RING TONGUE WIRE SIZE: 22-16
	APPD. <u>Swabel 10-6-69</u>	
	REC. <u>JM Eversman 10-6-69</u>	A 00779 34101
	DSGN APPD.	SCALE NTS
	OTHER APPD.	SHEET 1 OF 1

469-1 REV (5/68)

单击下面可查看定价，库存，交付和生命周期等信息

[>>TE Connectivity\(泰科\)](#)