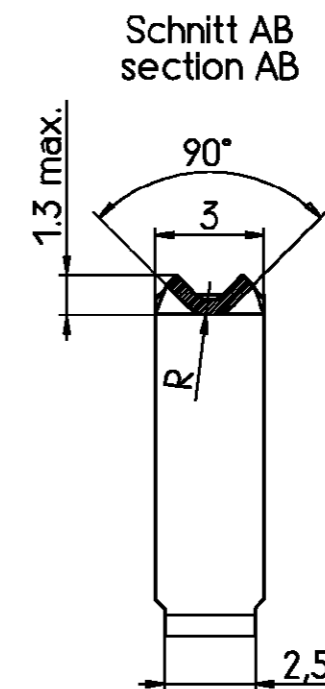
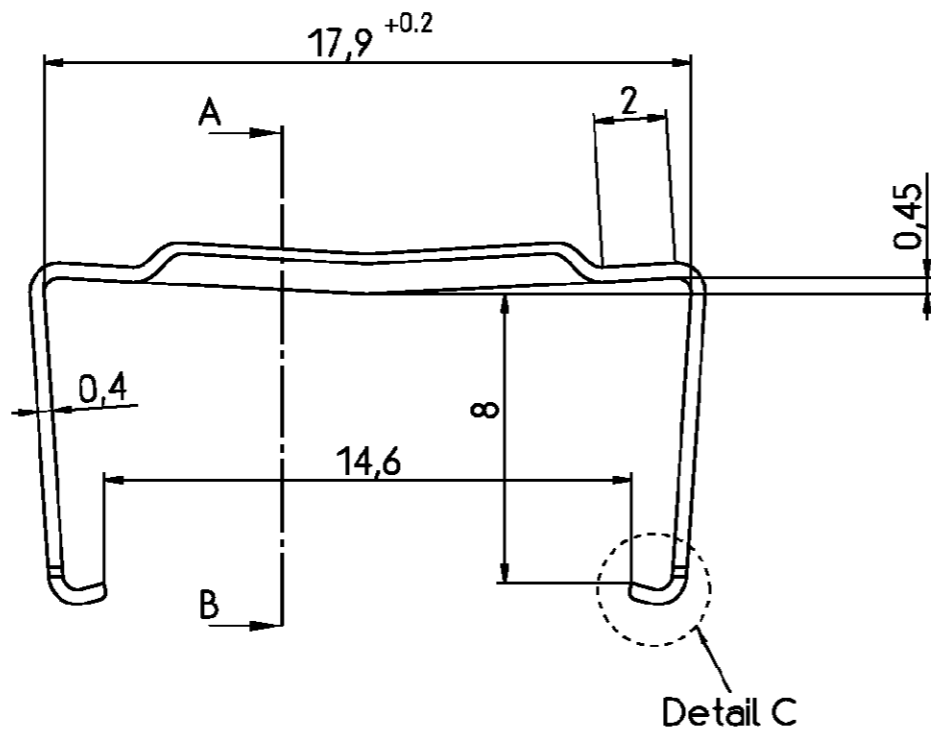
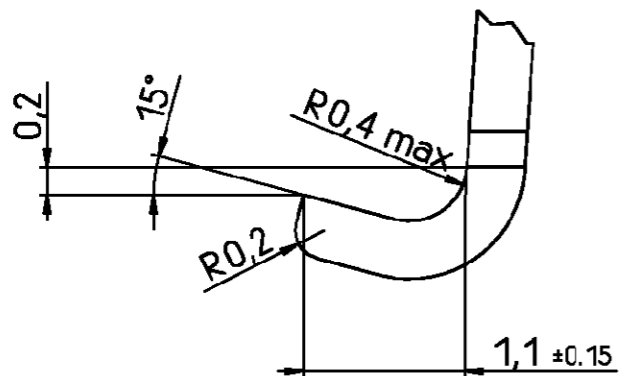


THIS INFORMATION IS CONFIDENTIAL AND PROPRIETARY TO TYCO ELECTRONICS CORPORATION AND ITS WORLDWIDE SUBSIDIARIES AND AFFILIATES. IT MAY NOT BE DISCLOSED TO ANYONE, OTHER THAN TYCO ELECTRONICS PERSONNEL, WITHOUT WRITTEN AUTHORIZATION FROM TYCO ELECTRONICS CORPORATION, HARRISBURG PENNSYLVANIA USA

PROPRIETARY:



Detail C (20:1)



| | | | | | | | |
|--------------------|--|------------------------------|--|---|--|----------------------------------|--|
| tyco | | TYCO ELECTRONICS CORPORATION | | SCALE 5:1 (20:1) | | WEIGHT | |
| Electronics | | OOSTKAMP - BELGIUM | | DIMENSIONS IN MM | | MATERIAL | |
| | | DATE 03.02.93 | | PART NAME | | Bügel Sub-D Schneidklemmanschluß | |
| | | NAME Sterckx | | 9 pol. Ausführung | | Strain relief clamp D-Sub IDC | |
| | | DEP. PE Com PE&SE | | 9-contacts version | | PART NO. | |
| A WO00/7020 | | 28 AUG 00 KV | | TOLERANCE UNLESS SPECIFIED OTHERWISE ±0.2 | | V42254-A4000-D9-*-*27 | |
| 01 | | 03.02.93 RST | | | | SHT. 1+ | |
| 51 | | 03.02.93 RST | | | | | |
| REV. CHANGE ORDER | | DATE APP. | | Customer Drawing Nr. C 4-1393560-3 | | OF 2 | |

单击下面可查看定价，库存，交付和生命周期等信息

[>>TE Connectivity\(泰科\)](#)