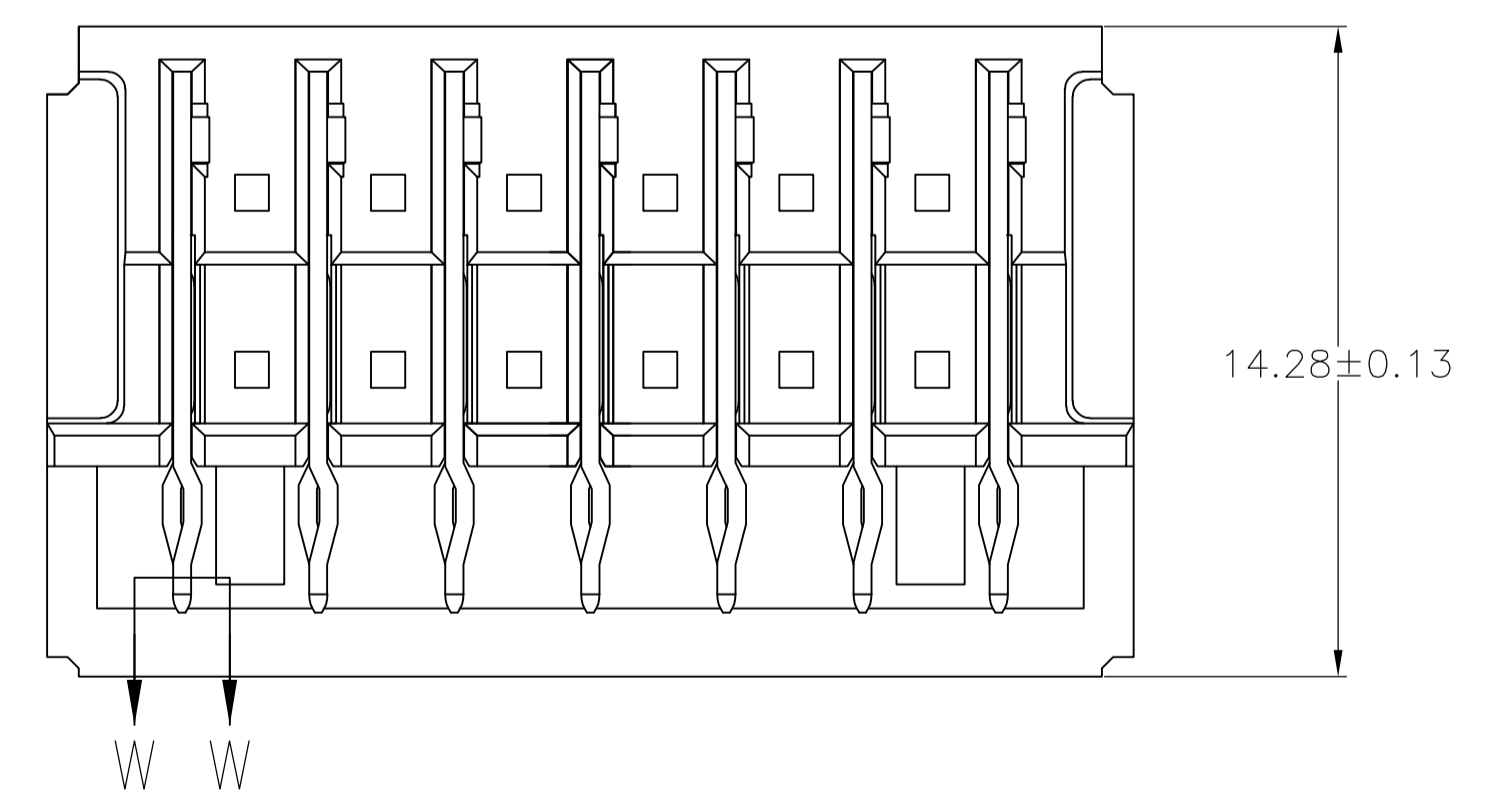
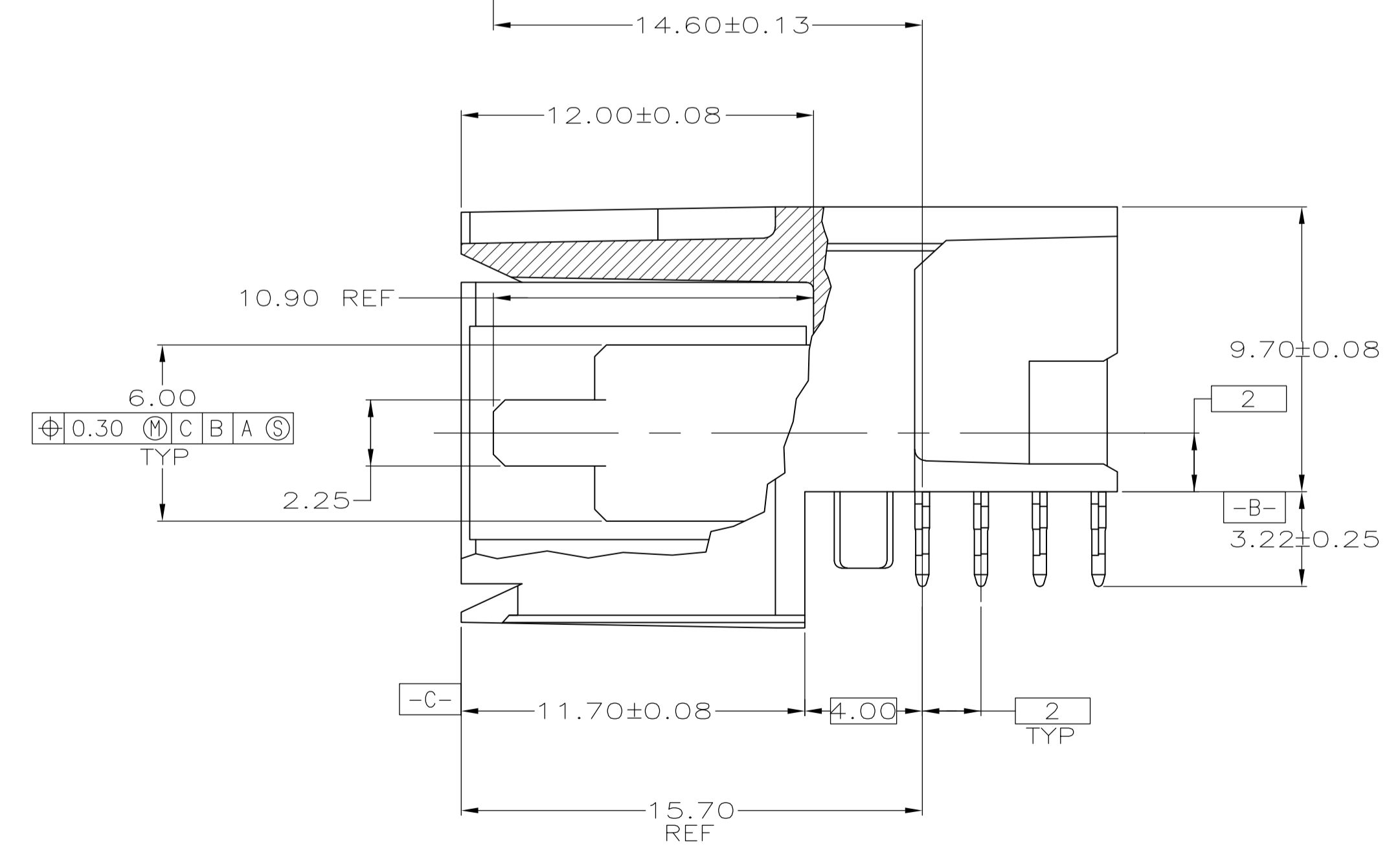
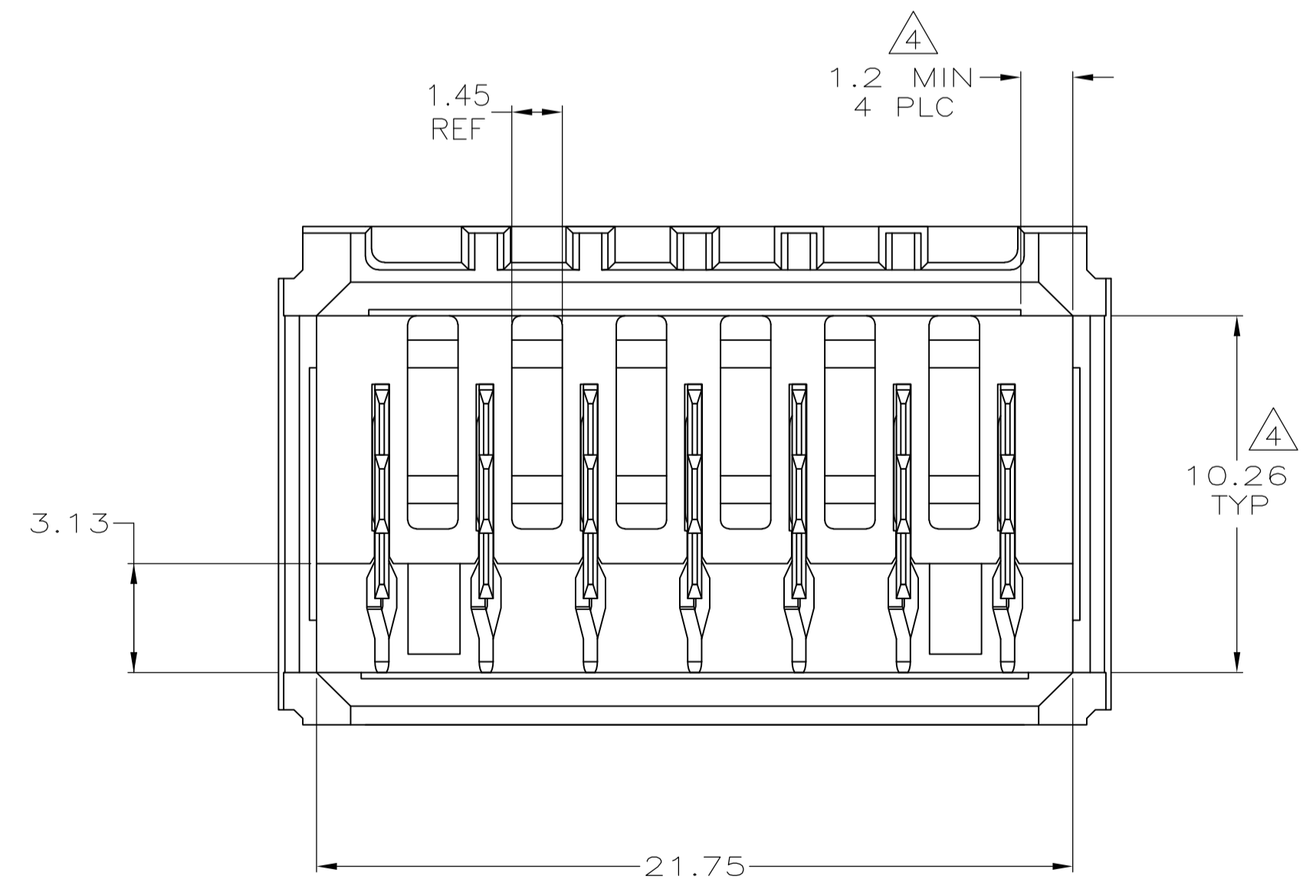
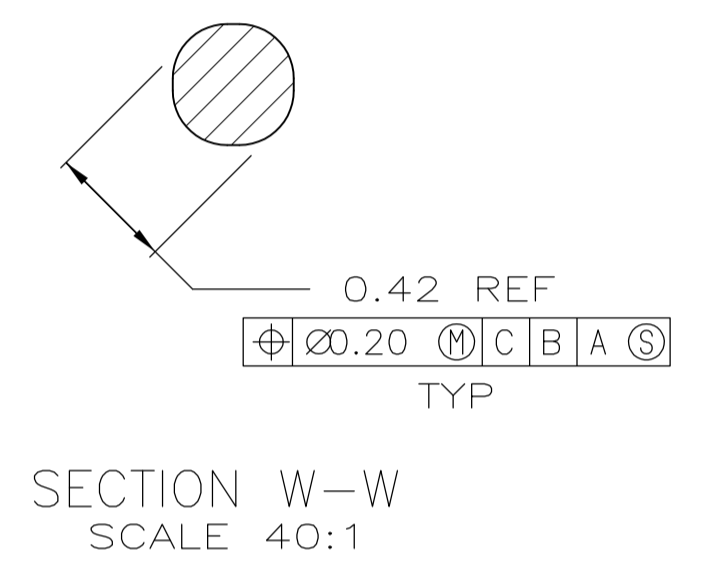


- △ MATERIAL: HOUSING: POLYESTER. COLOR: GRAY. UL 94V-0. CONTACT: PHOSPHOR BRONZE.
- △ FINISH: CONTACT MATING AREA: 1.27µm MIN GOLD OR 0.08µm MIN GOLD OVER 0.76µm MIN PALLADIUM-NICKEL. ACTION PIN AREA: 0.5µm MIN TIN LEAD PLATE, ALL OVER 1.27µm MIN NICKEL UNDERPLATE.
- △ FINISH: CONTACT LUBRICATION WITH BELLCORE APPROVED LUBRICANT. TECHNICAL REFERENCE: GR-1217-CORE, ISSUE 1, NOVEMBER 1995.
- △ THE 10.26±0.13 DIMENSION APPLIES IN THIS AREA.
- △ REFERENCE APPLICATION SPEC 114-1103 FOR RECOMMENDED PLATED THRU HOLE DIAMETER AND PLATING THICKNESSES.
- 6. CURRENT RATING 10A/CONTACT PER PRODUCT SPEC 108-1651.



| | | |
|--------|-------------|----------|
| 2 | 3 | 646957-1 |
| FINISH | PART NUMBER | |

| | | | | |
|--|--------|------------------------------|---|------------|
| THIS DRAWING IS A CONTROLLED DOCUMENT. | | DIN B CARDO 09 OCT 01 | Tyco Electronics Corporation Harrisburg, PA 17105-3608 | |
| DIMENSIONS: mm | | CHK R PATTERSON 09 OCT 01 | NAME R PATTERSON 09 OCT 01 | |
| TOLERANCES UNLESS OTHERWISE SPECIFIED: | | PRODUCT SPEC | | |
| 0 PLC | ± - | APPLICATION SPEC | | |
| 1 PLC | ± - | SIZE | CAGE CODE | DRAWING NO |
| 2 PLC | ± 0.13 | A1 | 00779 | 646957 |
| 3 PLC | ± - | WEIGHT | CUSTOMER DRAWING | |
| 4 PLC | ± - | SCALE 6:1 SHEET 1 OF 1 REV E | | |
| ANGLES | ± - | | | |

单击下面可查看定价，库存，交付和生命周期等信息

[>>TE Connectivity\(泰科\)](#)