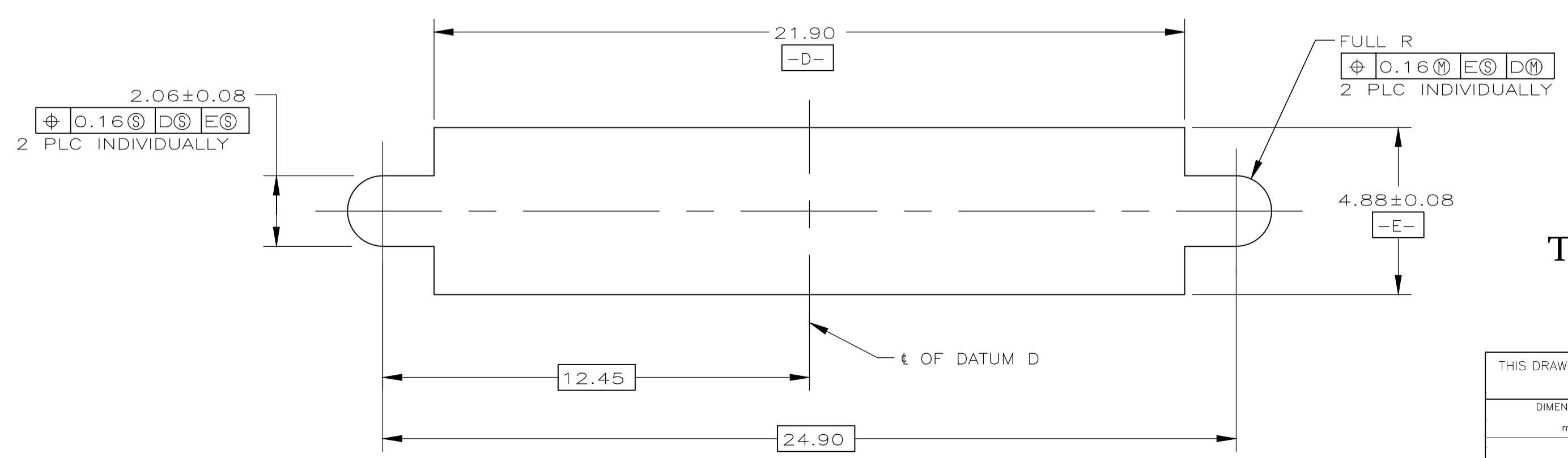
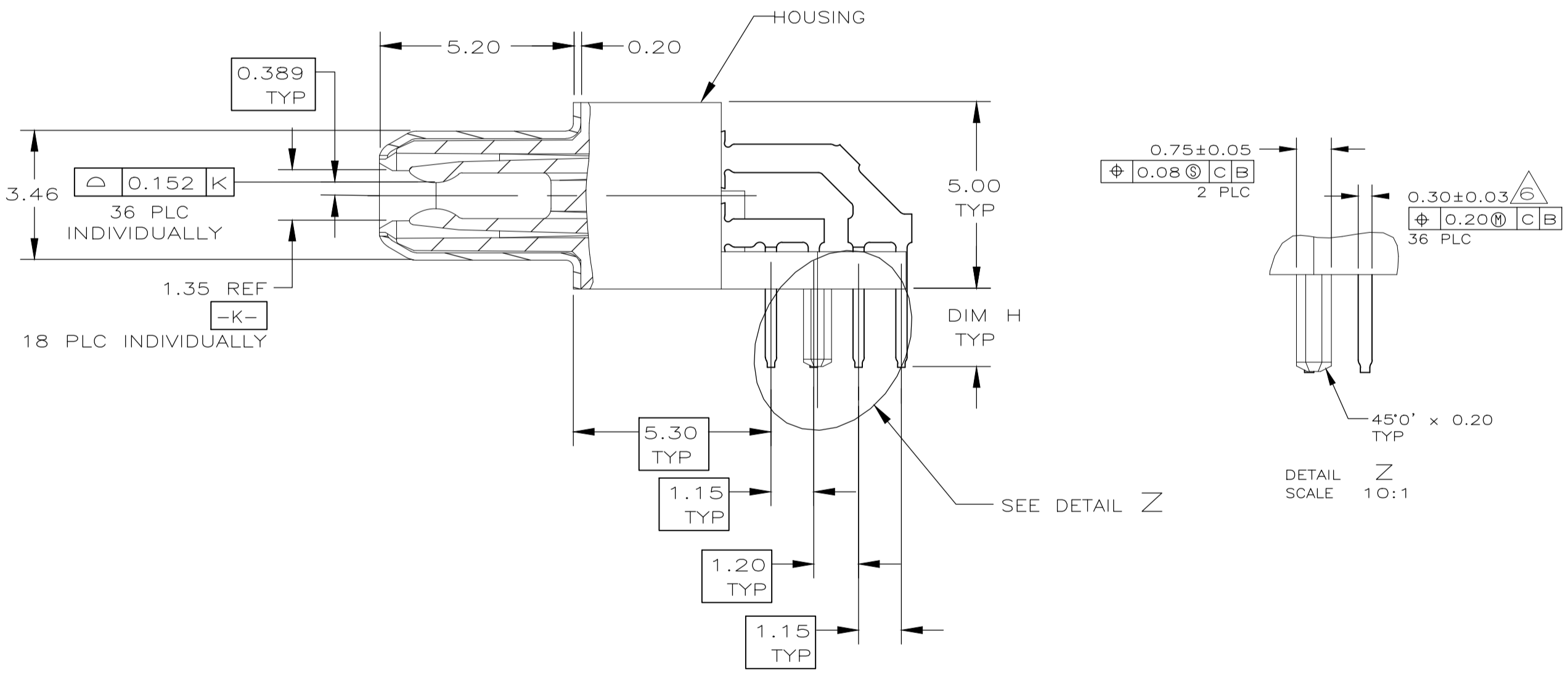
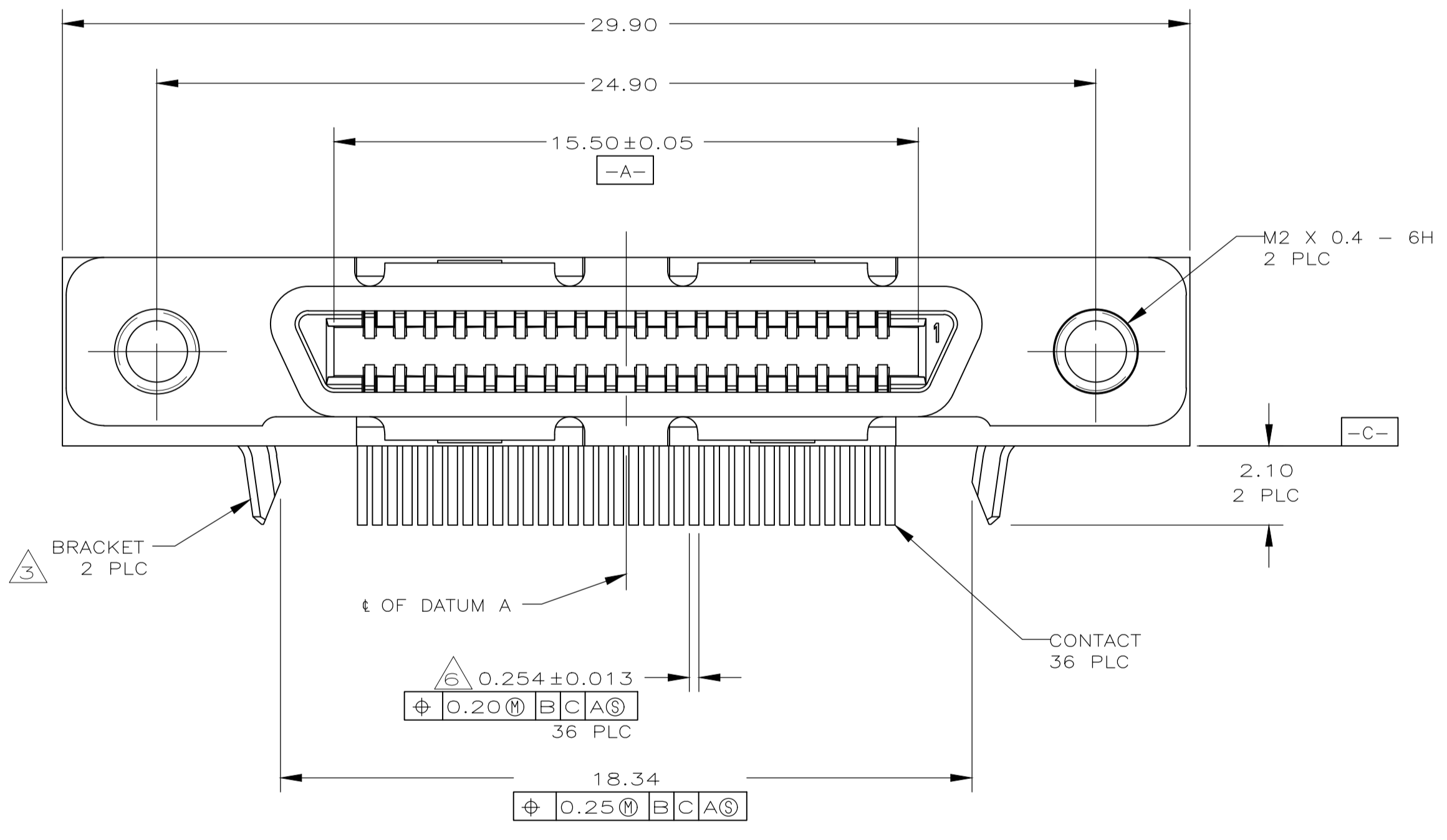
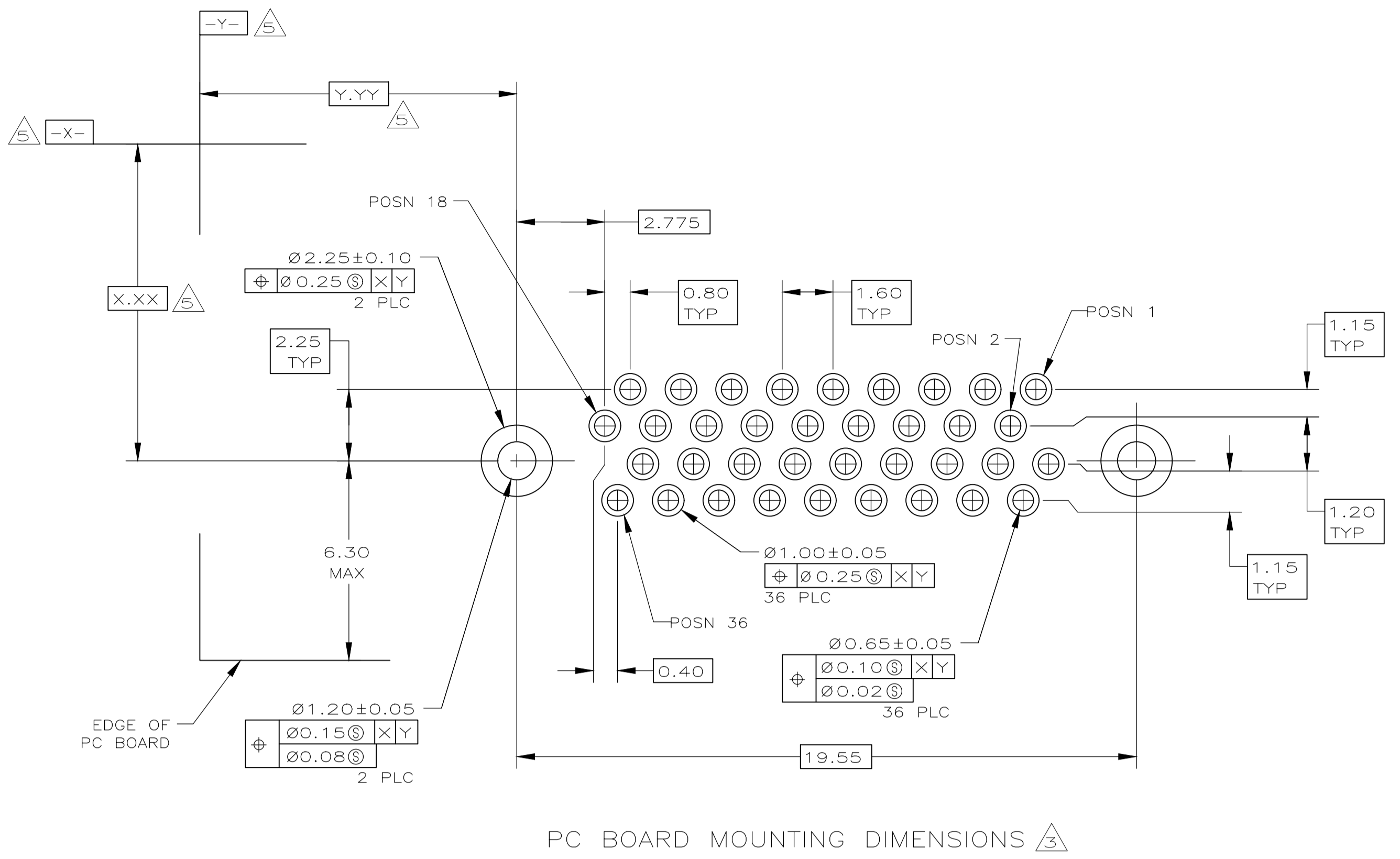
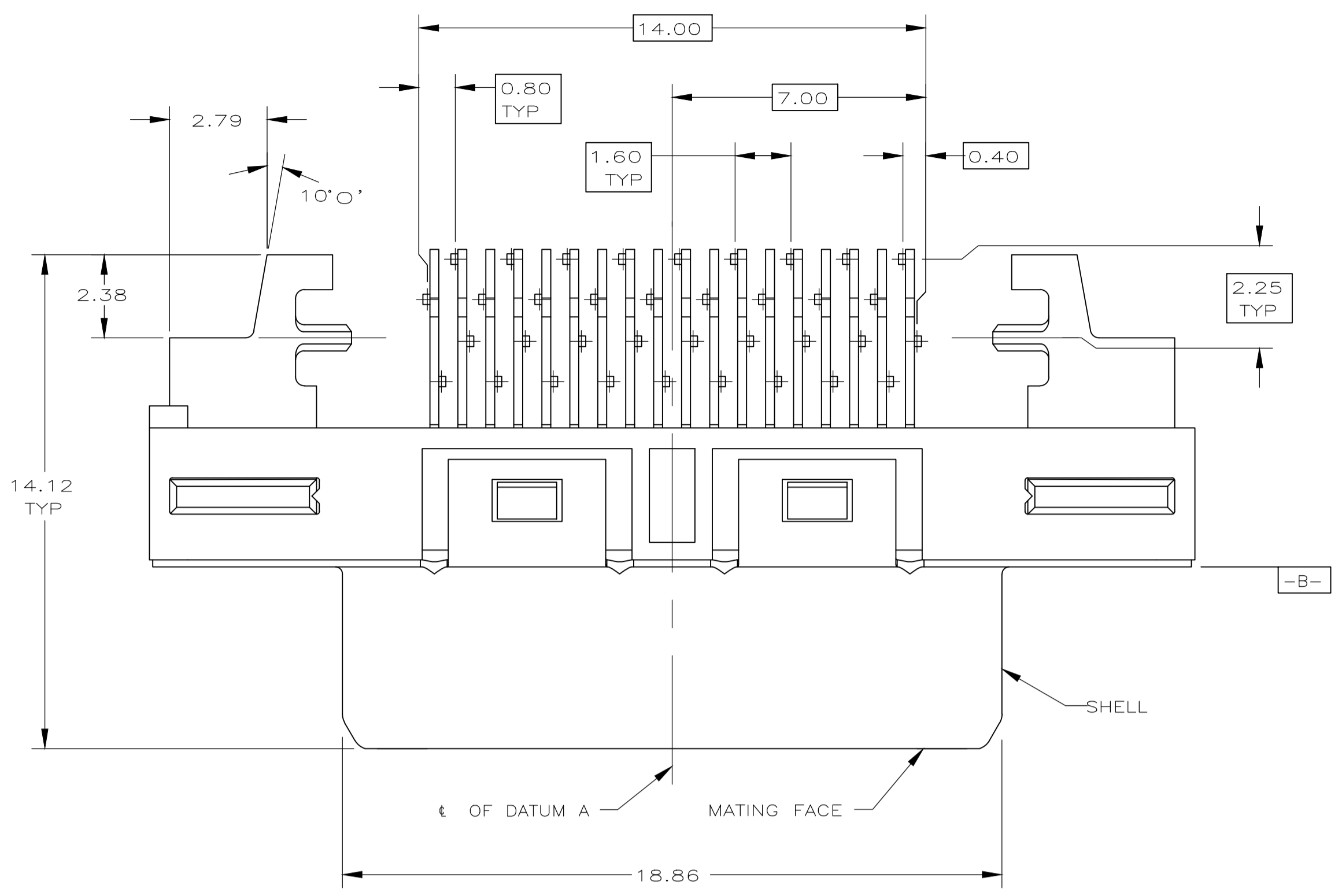


REVISIONS				
P	LTR	DESCRIPTION	DATE	APP'D
R1		REVISED PER ECO-19-014319	18SEP2019	SH SH



- 1 HOUSING: THERMOPLASTIC, BLACK, UL 94V-0 RATED.
SHELL: CARBON STEEL.
CONTACTS: PHOSPHOR BRONZE.
BRACKETS: NICKEL SILVER.
- 2 SHELL: 5.08µm MIN NICKEL OVER 2.54µm MIN COPPER.
CONTACTS: 0.76µm MIN GOLD ON MATING END, 3.75µm MIN TIN ON SOLDER TAILS, BOTH OVER 1.27µm MIN NICKEL ON ENTIRE CONTACT.
- 3 BRACKETS AND CONTACTS DESIGNED FOR USE ON 1.60±0.15 THICK PC BOARD WITH PLATED THRU MOUNTING HOLES.
- 4 RECEPTACLE ASSEMBLY DESIGNED FOR USE WITH 1.12±0.08 THICK PANEL.
- 5 DATUMS AND DIMENSIONS ESTABLISHED BY CUSTOMER.
- 6 POSITION TOLERANCE APPLIES AT CONTACT TIP ONLY.
- 7 HOUSING: LCP, BLACK, UL 94V-0 RATED.
SHELL: CARBON STEEL.
CONTACTS: PHOSPHOR BRONZE.
BRACKETS: NICKEL SILVER.

**COPYRIGHT 2005
TE CONNECTIVITY ALL
RIGHTS RESERVED**

DIM H	PART NUMBER
2.10	5787973-3
3.27	5787973-2
2.10	5787973-1

THIS DRAWING IS A CONTROLLED DOCUMENT.		BIN		J. ALCORTA - DOCK5		08-01-05	
DIMENSIONS: mm		CHK: S. SHUEY <td colspan="2">APPROD: M. WALMSLEY <td colspan="2">08-01-05 </td></td>		APPROD: M. WALMSLEY <td colspan="2">08-01-05 </td>		08-01-05	
TOLERANCES UNLESS OTHERWISE SPECIFIED:		NAME: RECEPTACLE ASSEMBLY, 36 POSITION, SHIELDED, RIGHT ANGLE, CHAMP 0.8mm		APPLICATION SPEC: 108-1471-1		SIZE: A1	
0 PLC ± -		DRAWING NO: 00779		WEIGHT: 0.000000		SCALE: 8:1	
1 PLC ± 0.13		CUSTOMER DRAWING		SHEET: 1 OF 1		REV: R1	
2 PLC ± 0.13							
3 PLC ± -							
4 PLC ± -							
ANGLES ± 1°							
FINISH							

单击下面可查看定价，库存，交付和生命周期等信息

[>>TE Connectivity\(泰科\)](#)