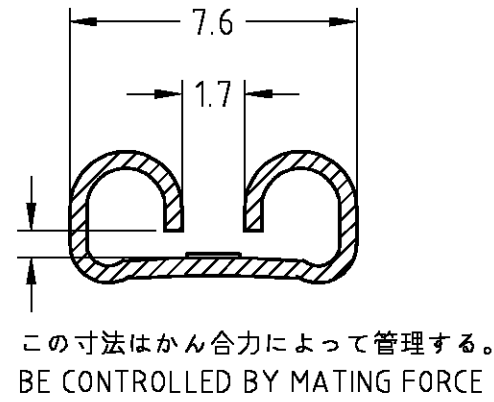
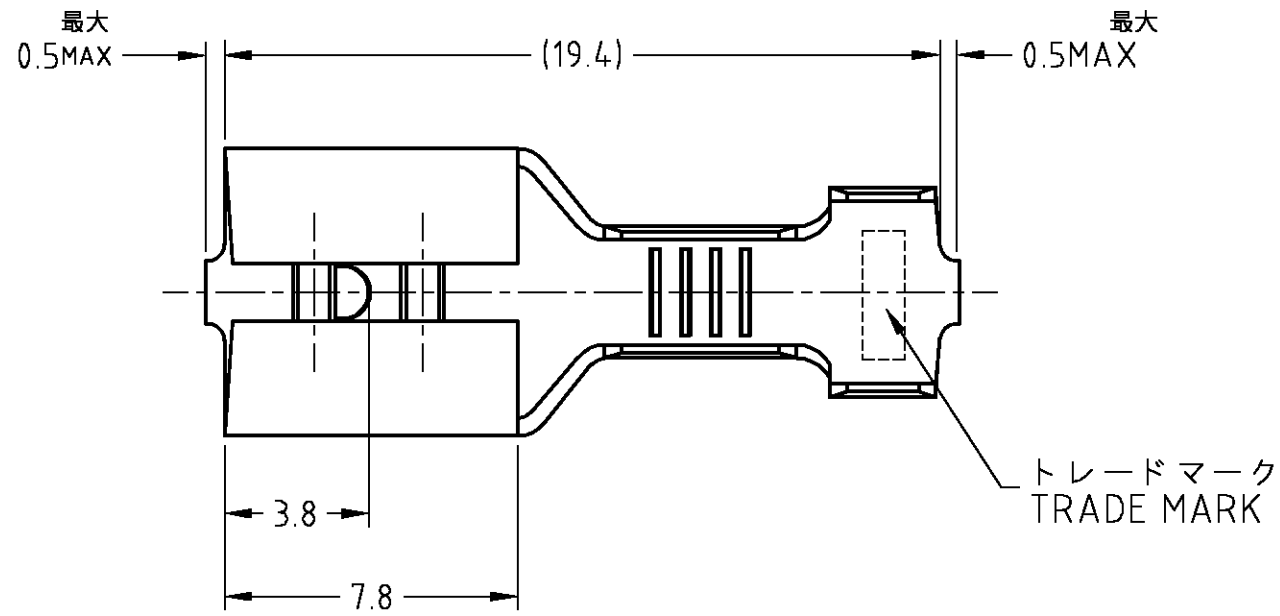
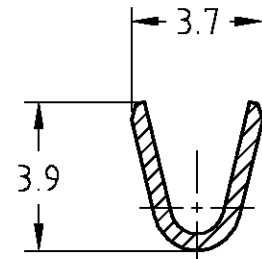


THIS DRAWING IS UNPUBLISHED. RELEASED FOR PUBLICATION
 © COPYRIGHT BY TYCO ELECTRONICS CORPORATION. ALL RIGHTS RESERVED.

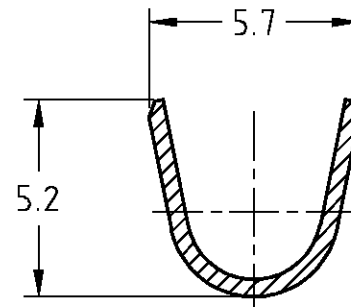
| LOC | DIST | REVISIONS | | | | | |
|-----|------|-----------|-----|---------------------|----------|-----|------|
| J | — | P | LTR | DESCRIPTION | DATE | DWN | APVD |
| | | A | | REDRAWN WITH CHANGE | 03MAR'08 | J.S | S.M |



断面A-A
SECT



断面B-B
SECT



断面C-C
SECT

注記

- かん合タブの詳細についてはCP-63-048Jの図面を参照すること
- △ ストレス除去処理：処理法により外観が変わります。
 不活性ガス加熱方式・・・無光沢
 大気加熱方式・・・光沢

NOTES

- SEE DRAWING OF CP-63-048J FOR THE DETAIL OF MATING TAB
- △ STRESS RELIEVING : FINISH IS SUBJECT TO CHANGE BY THE TYPE OF STRESS RELIEVING PROCESS
 INERT GAS FURNACE・・・MATTE
 ATMOSPHERIC FURNACE FOLLOWED BY ACID PICKLE・・・BRIGHT

| | | | |
|--------------------|--------------|----------------|-------------------|
| 170084-2 | 錫めっき | 燐青銅 (PHOS BRO) | 170083-2 |
| 170084-1 | △ | | 170083-1 |
| ばら状端子型番 L/P NO. | 仕上 FINISH | 材料 MATERIAL | 型番 PART NUMBER |

| | | | |
|-----------------------|--|------------------------|-------------|
| WIRE RANGE 総合電線断面積 | AWG#18~#14 0.75~2.27mm ² | INSULATION DIA 被覆外径 | 3.05~4.32mm |
|-----------------------|--|------------------------|-------------|

| | | | | |
|--|--|--|---|------------------------------|
| THIS DRAWING IS A CONTROLLED DOCUMENT. | | DWN J.SATO 03APR2008 | Tyco Electronics Corporation Kawasaki, Japan | |
| DIMENSIONS: 単位：mm | TOLERANCES UNLESS OTHERWISE SPECIFIED: 一般公差 ± 0.4 | CHK S.MANABE 03APR2008 | NAME 名称 250 SERIES FASTON RECEPTACLE | |
| | | APVD S.MANABE 03APR2008 | SIZE A3 | |
| MATERIAL 材料 SEE TABLE | FINISH 仕上 SEE TABLE | PRODUCT SPEC 製品規格 108-5006 | CAGE CODE 00779 | DRAWING NO 番号 C-170083 |
| | | APPLICATION SPEC 取付適用規格 114-5084 | RESTRICTED TO — | SCALE 尺度 4:1 |
| CUSTOMER DRAWING | | | SHEET 1 OF 1 | REV A |

单击下面可查看定价，库存，交付和生命周期等信息

[>>TE Connectivity\(泰科\)](#)