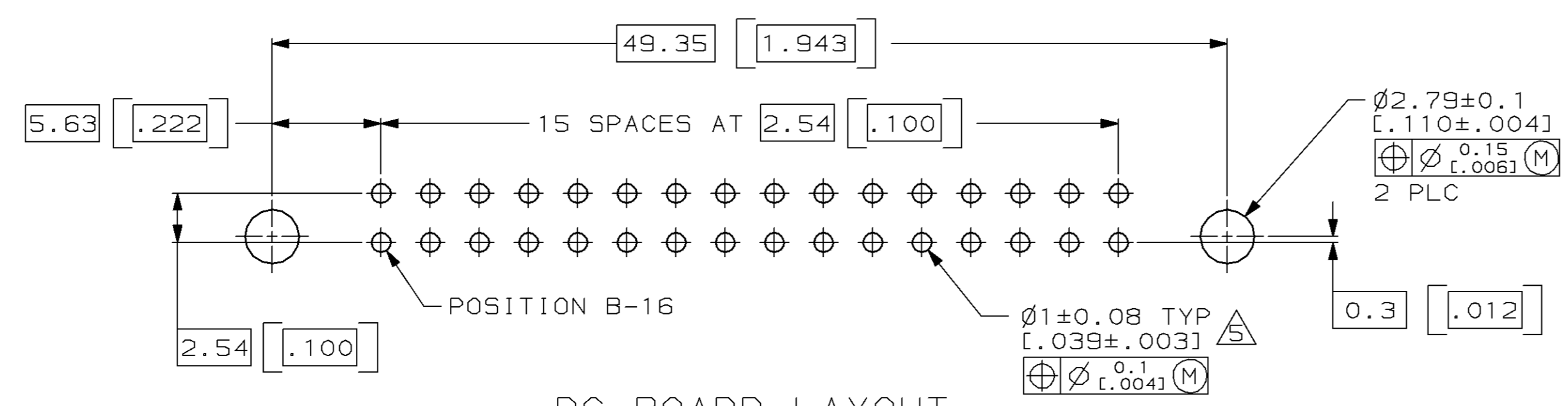
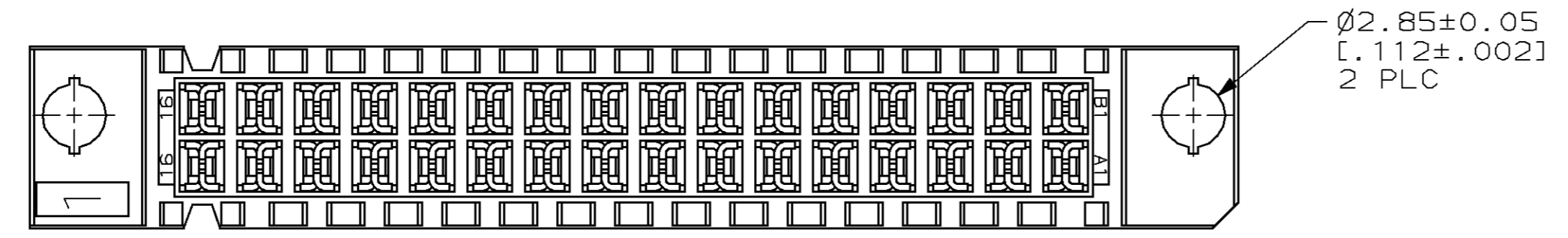
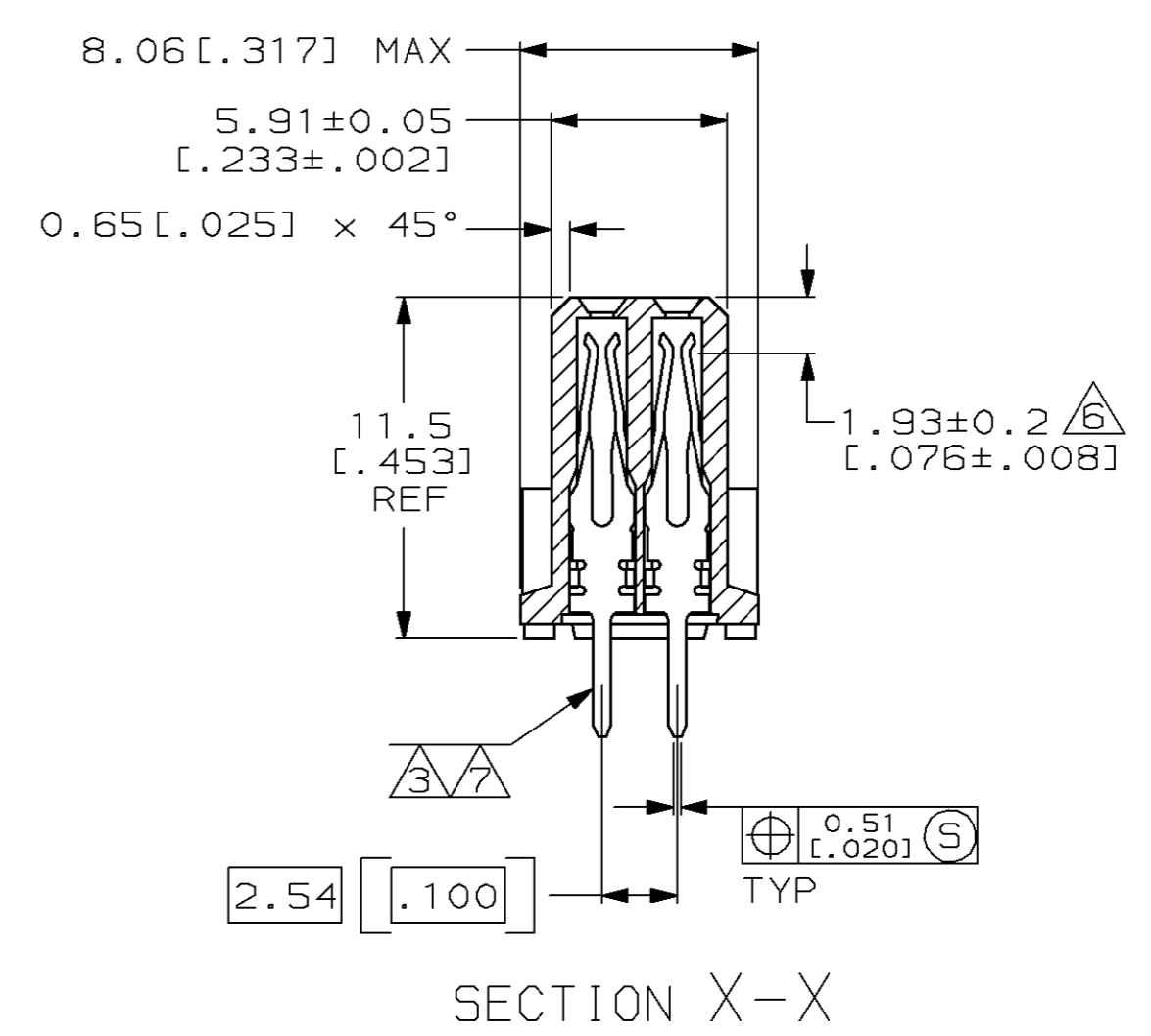
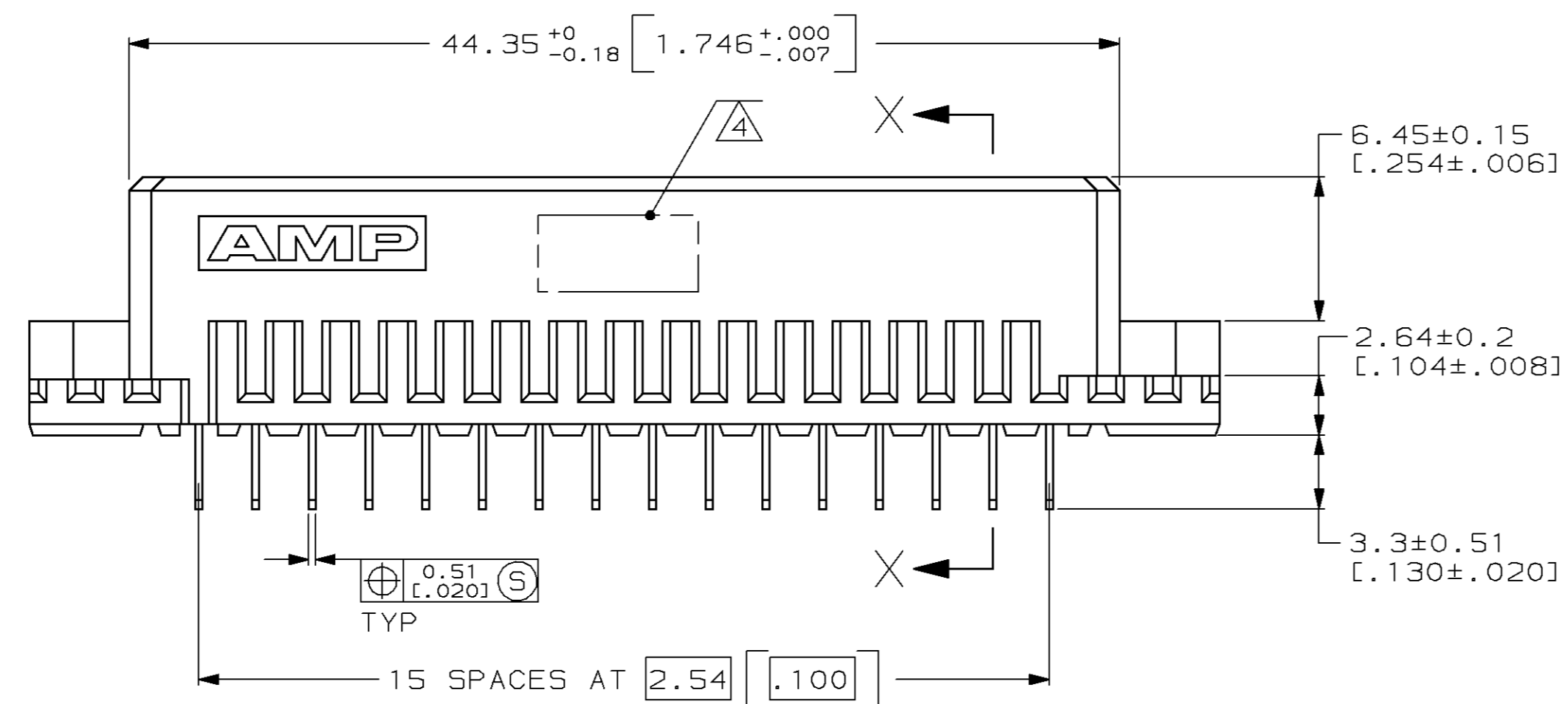
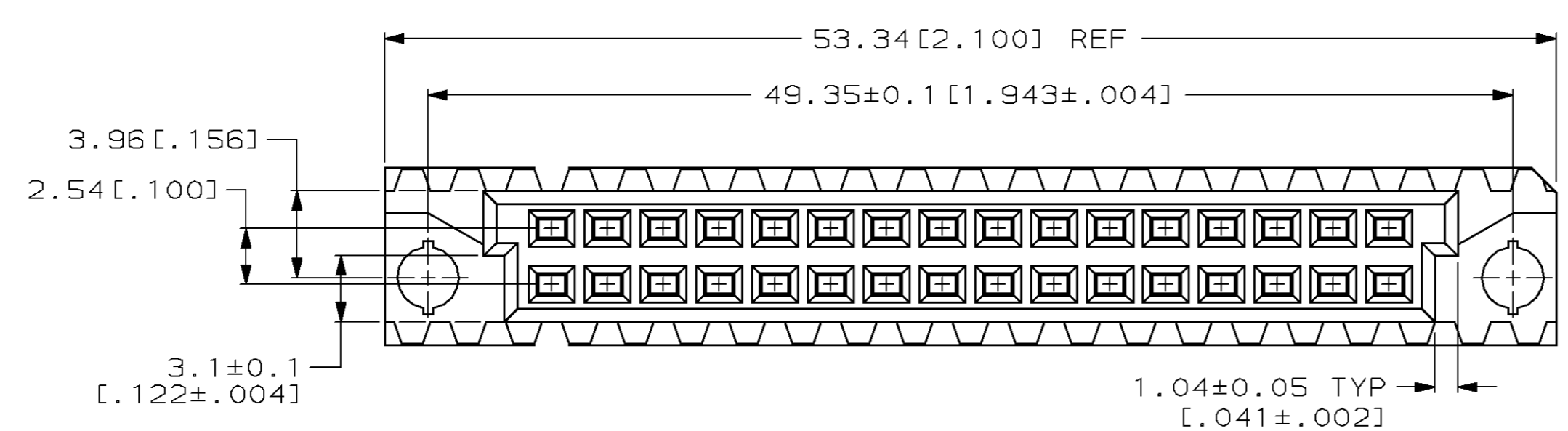


LOC		DIST		P		F		ZONE		LTR		REVISIONS		
AD	25											DESCRIPTION	DATE	APPD
												EC 0504-0087-96	11/18/96	CR



- △ HOUSING MATERIAL: GLASS-FILLED POLYESTER. COLOR: GRAY.
- △ CONTACT MATERIAL: PHOSPHOR BRONZE.
- △ CONTACT FINISH: DIN 41612 CLASS 2 IN CONTACT AREA. NICKEL UNDERPLATE ALL OVER. TIN-LEAD ON POSTS.
- △ PART NUMBER, DATE CODE IDENTIFICATION, CSA LOGO IN THIS APPROXIMATE AREA, ON REVERSE SIDE.
- △ RECOMMENDED HOLE SIZE FOR MANUAL APPLICATION OF CONNECTOR ONTO PC BOARD.
- △ CONTACT POINT.
- △ CONTACT FINISH: DIN 41612 CLASS 3 IN CONTACT AREA. NICKEL UNDERPLATE ALL OVER. TIN-LEAD ON POSTS.

SUPERSEDED BY 536446-5	△	1-16	X	X	32	536446-9
	△	1-16	X	X	32	536446-5
SUPERSEDED BY 536446-5	△	1-16	X	X	32	536446-4
POSITIONS LOADED			B	A	NO. OF LOADED POSITION	ASSY PART NUMBER

DO NOT SCALE PRINT. UNLESS SPECIFIED DIMENSIONS IN mm [INCHES] TOLERANCES ON:		DR L. BRINER 12/3/92		PART NO	
1 PLC DEC ± -	2 PLC DEC ± 0.13 [.005]	CHK R. PATTERSON 1/7/93	APPD R. PATTERSON 1/7/93	AMP Incorporated Harrisburg, PA 17105-3608	
ANGLES ± -		APPD R. PATTERSON 1/7/93	APPD D.C. RUBENDALL 1/7/93	NAME	
MATERIAL		PRODUCT SPEC		RECEPTACLE ASSEMBLY, EUROCARD, TYPE "B"	
HSG: △		APPLICATION SPEC		SIZE D	CAGE CODE 00779
CONT: △				DRAWING NO	©=536446
FINISH				SCALE	4:1
CONT: △△		WEIGHT		SHEET	1 OF 1

THIS DRAWING IS A CONTROLLED DOCUMENT FOR AMP INCORPORATED. IT IS SUBJECT TO CHANGE AND THE CONTROLLING ENGINEERING ORGANIZATION SHOULD BE CONTACTED FOR THE LATEST REVISION.

单击下面可查看定价，库存，交付和生命周期等信息

[>>TE Connectivity\(泰科\)](#)