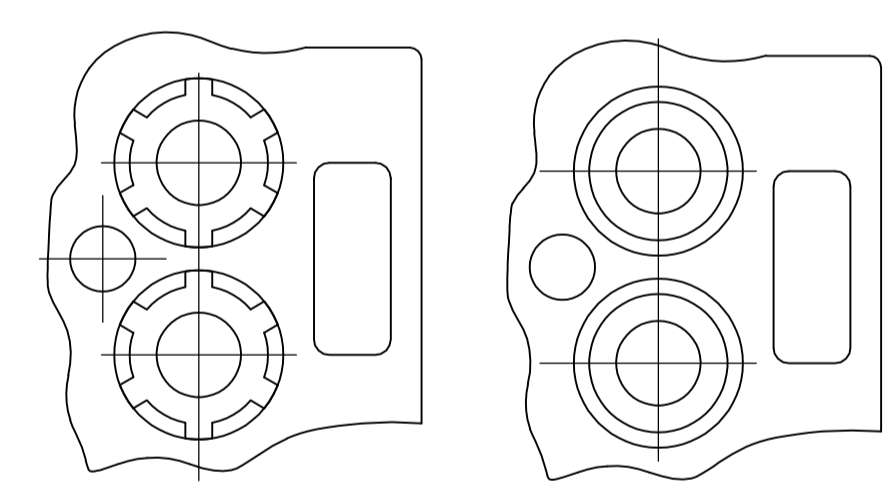
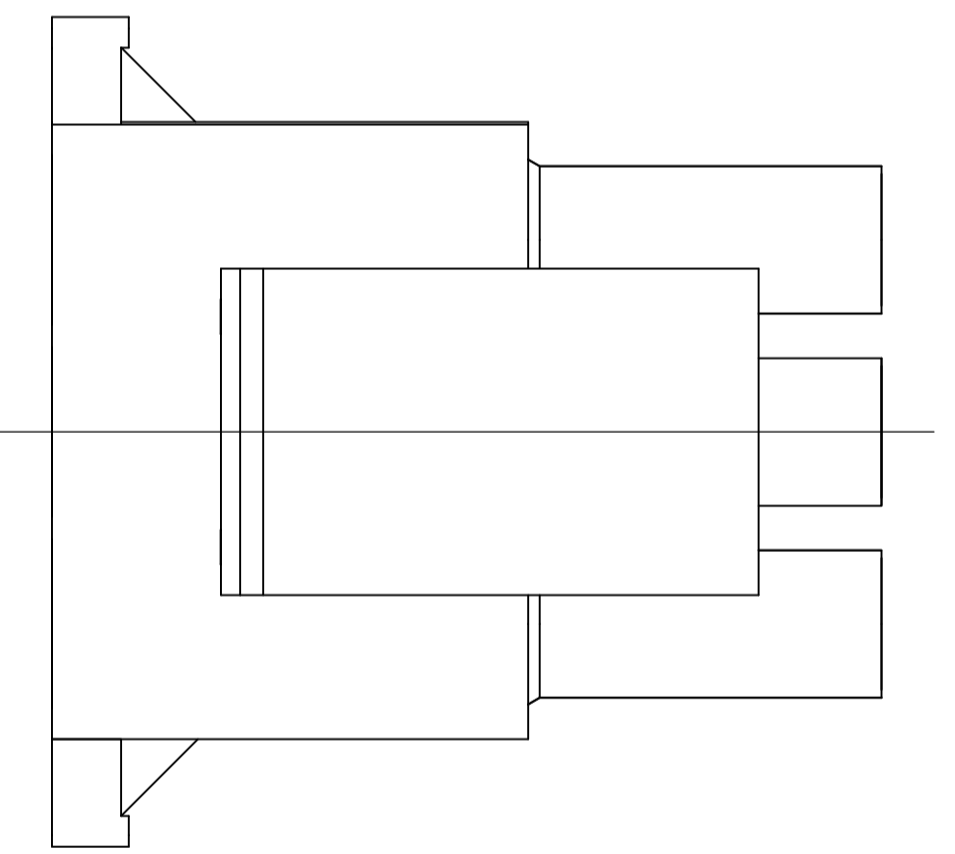
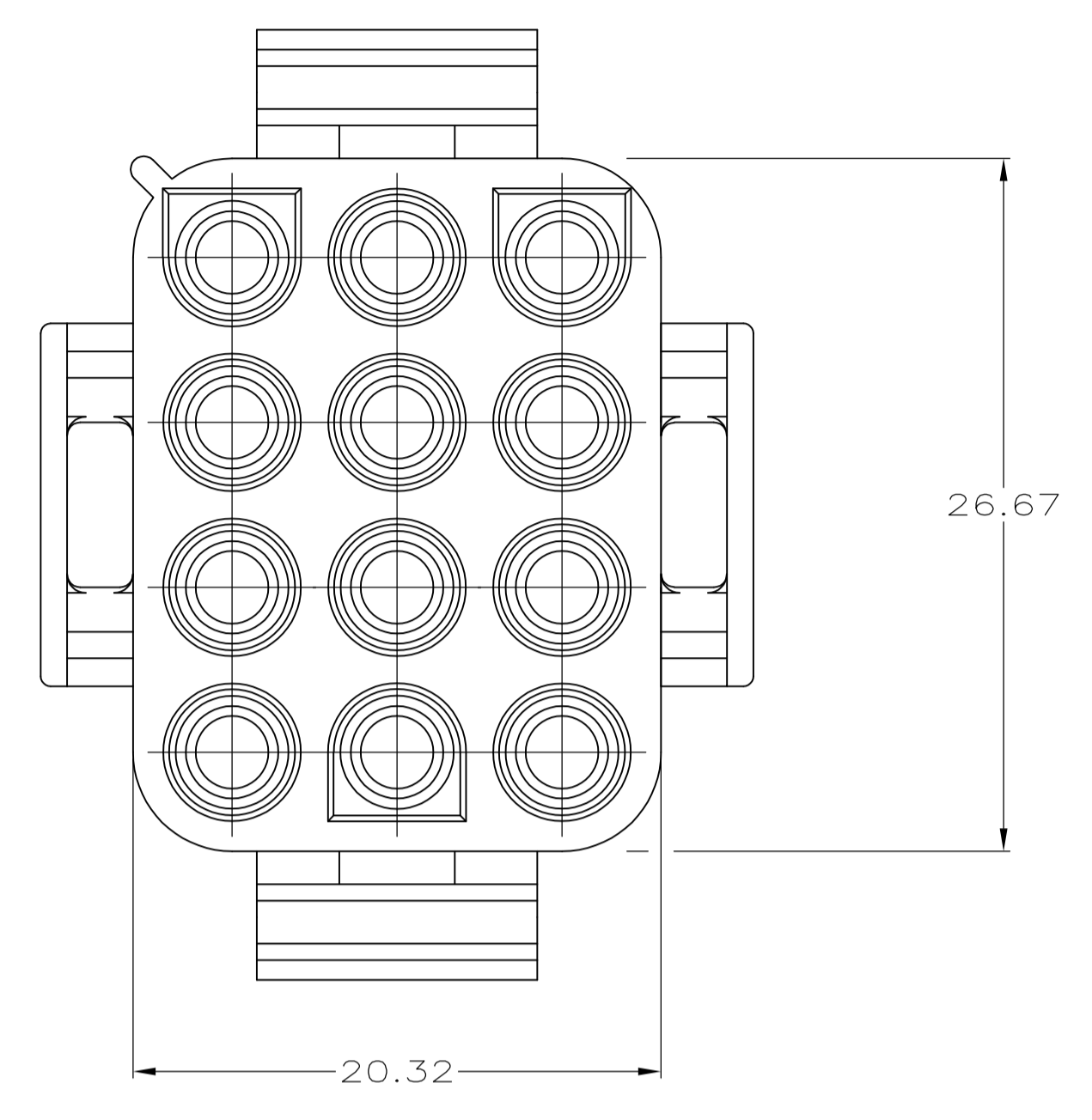
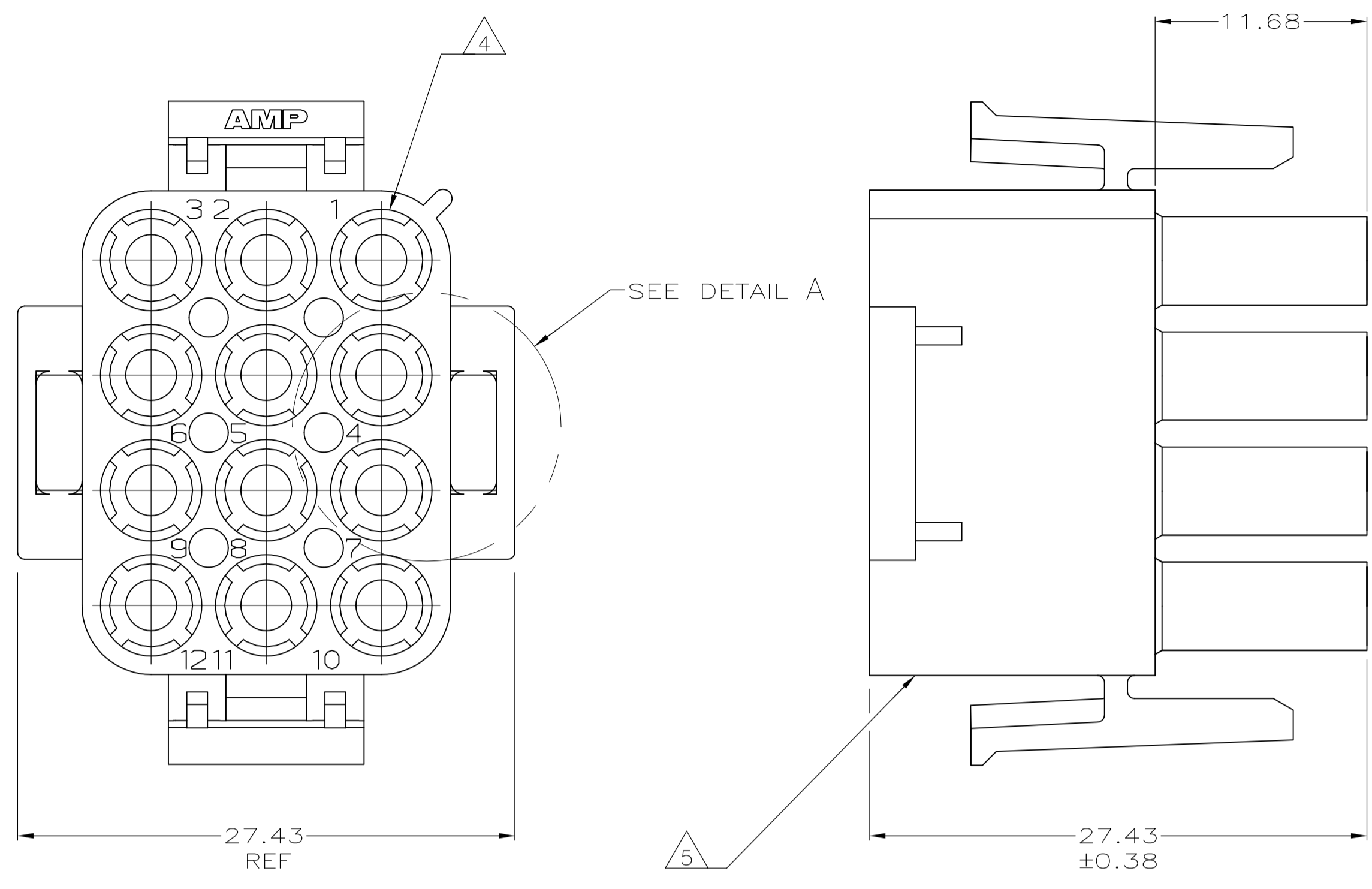


REVISIONS				
REV	DATE	DESCRIPTION	BY	APP'D
B2	23AUG2017	REVISED PER ECO-17-011927	RS	KR

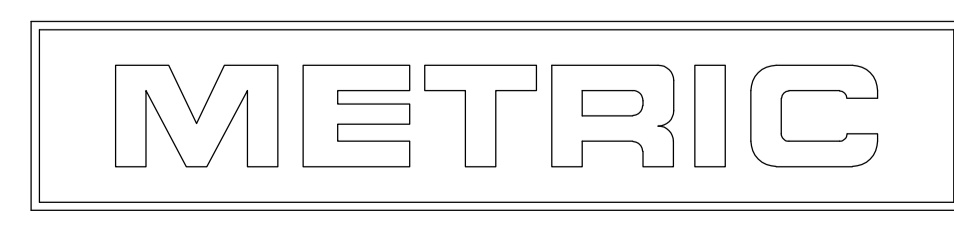


DETAIL A  
OPTIONAL CONSTRUCTION

- 1 MATES WITH APPROPRIATE UNIVERSAL MATE-N-LOK™ CAP OR HEADER.
- 2 SMALL NICKS ARE PERMITTED ON THE CIRCUIT TOWERS WHICH COULD INCREASE THE INITIAL HOUSING MATING FORCE BY UP TO 4.4 NEWTONS [1.0 LBS]. NO INDIVIDUAL NICKED TOWER SHALL INCREASE THIS FORCE BY OVER 2.2 NEWTONS [.5 LBS].
- 3 DIMENSIONS SHOWN REPRESENT PRODUCT IN DRY, AS MOLDED CONDITION ADDITIONAL 2% GROWTH DUE TO SUBSEQUENT MOISTURE ABSORPTION MAY OCCUR AND SHOULD BE ACCOUNTED FOR.
- 4 FOUR RIBS EQUALLY SPACED, NO SPECIFIC ORIENTATION. NO RIBS OR SIX RIBS EQUALLY SPACED, NO SPECIFIC ORIENTATION, OPTIONAL.
- 5 UNDERWRITERS RECOGNIZED COMPONENT LOGO AND CSA CERTIFICATION LOGO TO BE LOCATED ONCE EACH ON SIDE OF HOUSING.
- 6 150° C TEMPERATURE RATING FOR THIS HOUSING IS FOR SHORT TERM DURATION. MAX OPERATING TEMPERATURE REMAINS 125° C.
- 7 PHOSPHOR BRONZE CONTACTS SHOULD ALWAYS BE USED WITH THIS HOUSING.

MM	IN
27.43	1.080
26.67	1.050
20.32	.800
11.68	.460
0.38	.015
0.13	.005

CONVERSION TABLE



THIS DRAWING IS A CONTROLLED DOCUMENT.

DIMENSIONS: INCHES	TOLERANCES UNLESS OTHERWISE SPECIFIED:	DIN K. WHITAKER 16-MAY-2001	CHK S. RIDGILL 16-MAY-2001	APVD S. RIDGILL 16-MAY-2001	NAME
0. PLC ± -	1. PLC ± -	APVD S. RIDGILL 16-MAY-2001			NAME
2. PLC ± 0.13	3. PLC ± -	APVD S. RIDGILL 16-MAY-2001			NAME
4. PLC ± -	ANGLES ± 0°30'	APVD S. RIDGILL 16-MAY-2001			NAME
MATERIAL NYLON, UL 94V-2 HIGH TEMP	FINISH -	WEIGHT 0.000000	SIZE A1	CAGE CODE 00779	DRAWING NO. 794851
		CUSTOMER DRAWING	SCALE 4:1	SHEET 1 OF 1	REV B2

BLACK 794851-1  
Material Part Number

**STE** TE Connectivity

PLUG, 12 CIRCUIT, UNIVERSAL MATE-N-LOK

单击下面可查看定价，库存，交付和生命周期等信息

[>>TE Connectivity\(泰科\)](#)