

THIS DRAWING IS UNPUBLISHED. RELEASED FOR PUBLICATION MARCH , 2006.

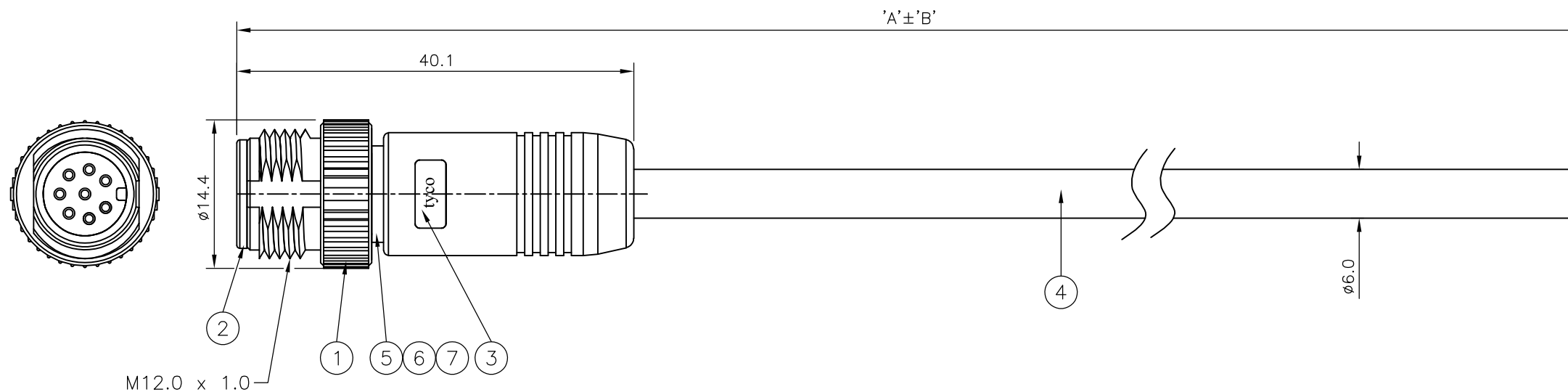
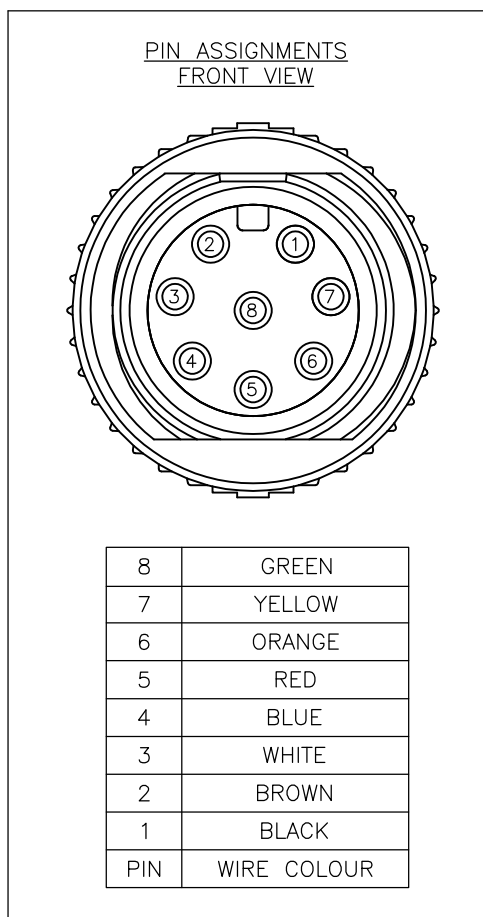
© COPYRIGHT 2006 BY TYCO ELECTRONICS CORPORATION. ALL RIGHTS RESERVED.

LOC	DIST	REVISIONS					
E	B	P	LTR	DESCRIPTION	DATE	DWN	APVD
		B		ECR-07-012186	22/05/07	AM	FWK

NOTES:

- ELECTRICAL DATA: CONTACT RESISTANCE: 10 mOhm MAX
INSULATION RESISTANCE: 100 MOhm MIN at 500VDC
CURRENT RATING: 5 AMPS
BREAKDOWN VOLTAGE: 500 VAC MIN PER MINUTE
- ENVIRONMENTAL: OPERATING TEMPERATURE: -25°C TO +90°C
SEALING REQUIREMENTS: IP67
- PROD SPEC: 108-3641
- PACKAGING: 107-3334
- FOR TECHNICAL DATA REFER TO YOUR LOCAL TYCO ELECTRONICS SALES OFFICE
- ALL DIMENSIONS ARE NOMINAL FOR REFERENCE ONLY UNLESS OTHERWISE STATED

ITEM	DESCRIPTION	MATERIAL	FINISH/COLOUR	QTY
1	SCREW NUT	ZINC DIE CAST	2.5µm NICKEL PLATED	1
2	CONNECTOR BODY	GF NYLON	BLACK	1
3	PIN CONTACT	BRASS	0.15µm GOLD OVER NICKEL	8
4	8 CORE CABLE (CORES 0.25mm ² /24AWG)	PU JACKET HAL FREE	BLACK	1
5	SHIELD	BRASS	-	1
6	SHIELDING FOIL	COPPER	-	1
7	ADHESIVE	-	-	1



10000	500 mm	M12 STRAIGHT MALE CONNECTOR 10.0m CABLE	1838364-5
7000	350 mm	M12 STRAIGHT MALE CONNECTOR 7.0m CABLE	1838364-4
5000	250 mm	M12 STRAIGHT MALE CONNECTOR 5.0m CABLE	1838364-3
3000	150 mm	M12 STRAIGHT MALE CONNECTOR 3.0m CABLE	1838364-2
2000	100 mm	M12 STRAIGHT MALE CONNECTOR 2.0m CABLE	1838364-1
DIM A	TOL 'B'	DESCRIPTION	PART NUMBER

THIS DRAWING IS A CONTROLLED DOCUMENT.		DWN	03APR06	Tyco Electronics Corporation Bideford, UK, EX39 4HE	
DIMENSIONS: mm		CHK	07AUG06	NAME	
TOLERANCES UNLESS OTHERWISE SPECIFIED: 0 PLC ± - 1 PLC ± - 2 PLC ± - 3 PLC ± - 4 PLC ± - ANGLES ± -		MANJUNATH.T.N F.WHEELER-KING F.WHEELER-KING		M12 SHIELDED, STRAIGHT MALE CONNECTOR WITHOUT STRAIN RELIEF 8 POSITION, PU CABLE	
MATERIAL		APVD	07AUG06	SIZE	RESTRICTED TO
FINISH		PRODUCT SPEC		A3	-
		APPLICATION SPEC		CAGE CODE	DRAWING NO
		WEIGHT		00779	1838364
CUSTOMER DRAWING				SCALE	SHEET 1 OF 1
				NTS	REV B

单击下面可查看定价，库存，交付和生命周期等信息

[>>TE Connectivity\(泰科\)](#)