

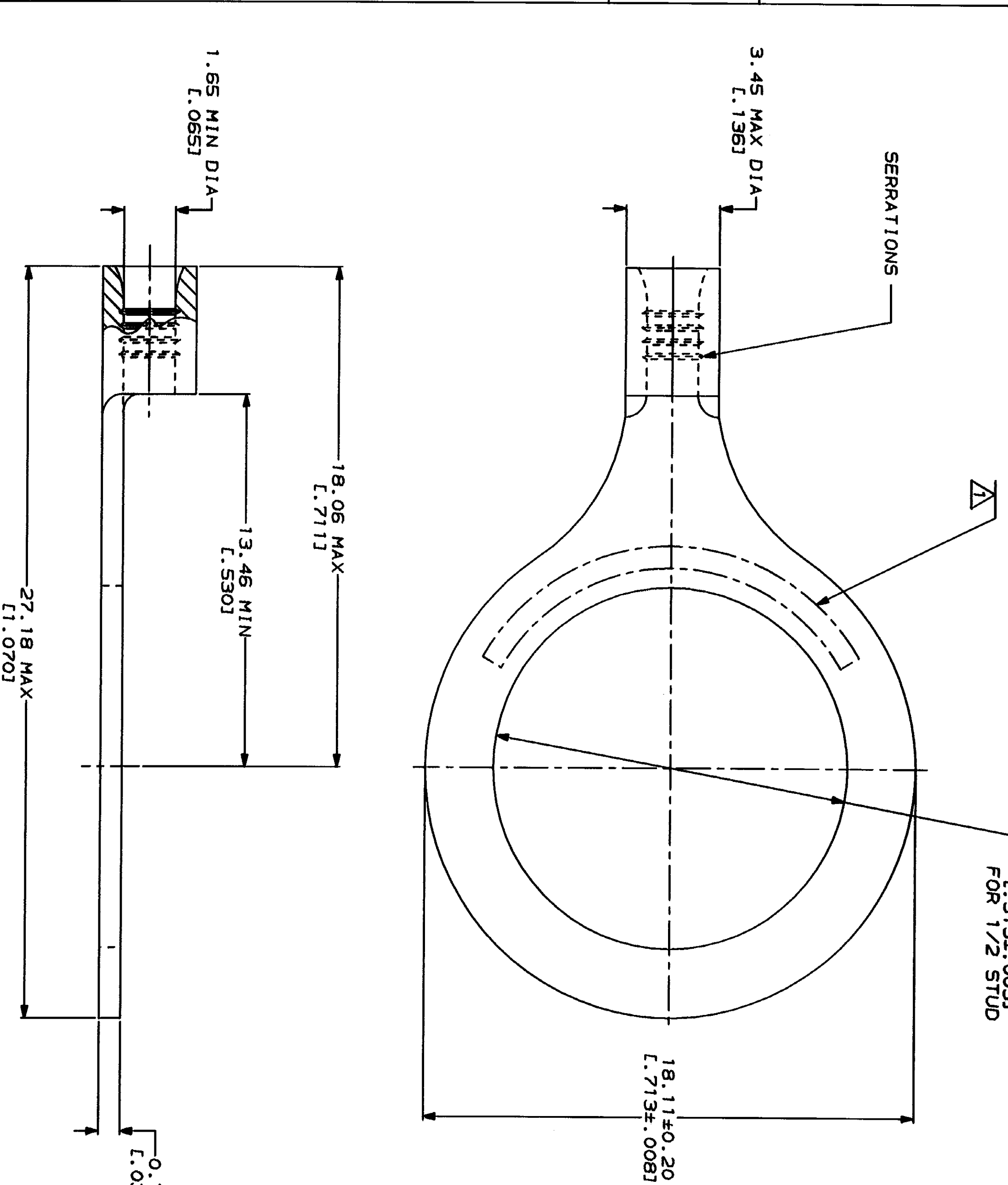
LOG	DIST	ZONE	LTH	DESCRIPTION	DATE	APPD
G	14			REVISED PER 0720-0230-93		

METRIC
DIMENSIONS LISTED IN mm [INCHES]

AMP WIRE RANGE 22-16 AWG STRAINED	UL E13288 Listed
22-16 AWG STRAINED	MILITARY P/N AND CLASS

NOT CERTIFIED	NOT APPLICABLE
------------------	----------------

STAMP AMP 22-18* APPROX AS SHOWN
22-16 TERMINALS ARE STAMPED 22-18 IN
ACCORDANCE WITH MILITARY SPECIFICATION
MIL-T-7928, COMMERCIAL WIRE RANGE IS 22-16



AMP INCORPORATED
CUSTOMER SERVICE SYSTEMS

FOR ADDITIONAL
PRODUCT INFORMATION OR
COPIES OF DRAWINGS
AND TECHNICAL DOCUMENTS
1-800-522-6752

FOR APPLICATION
TOOLING INFORMATION
FOR ORDER ENTRY
1-800-722-1111
1-800-526-5142

MAX RECOMMENDED OPERATING
TEMPERATURE: 170°C MAX

VOLTAGE RATING:
NOT APPLICABLE

WIRE CROSS SECTIONAL AREA RANGE:
0.26-1.65mm² [509-3,260] CIR MILS
STRAINED

DO NOT SCALE PRINT.
UNLESS SPECIFIED
DIMENSIONS IN mm [INCHES]
2 PLG DEC # -
3 PLG DEC # -
ANGLES -

FINISH: TIN PLATE
0.00254 [L.000100] MIN
THK PER MIL-T-10727

DR 2-4-93
TA BRINKMAN

CHK 2-4-93
DA PATTERSON

APPD 2-4-93
DE MILLER

AMP INCORPORATED
Harrisburg, PA 17105-3508

TERMINAL, RING TONGUE,
BUDGET

SIZE: 00779
CAGE CODE: 00779
DRAWING NO: 328970
SCALE: 8:1
SHEET: 1 OF 1

CUSTOMER DRAWING

单击下面可查看定价，库存，交付和生命周期等信息

[>>TE Connectivity\(泰科\)](#)