

THIS DRAWING IS UNPUBLISHED.

RELEASED FOR PUBLICATION

ALL RIGHTS RESERVED.

© COPYRIGHT - By -

LOC FT DIST 0

REVISIONS

P	LTR	DESCRIPTION	DATE	DWN	APVD
	A6	ADD- RECOMMENDED PCB LAYOUT	17MAR2015	CR	PS

MATERIALS:

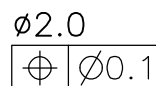
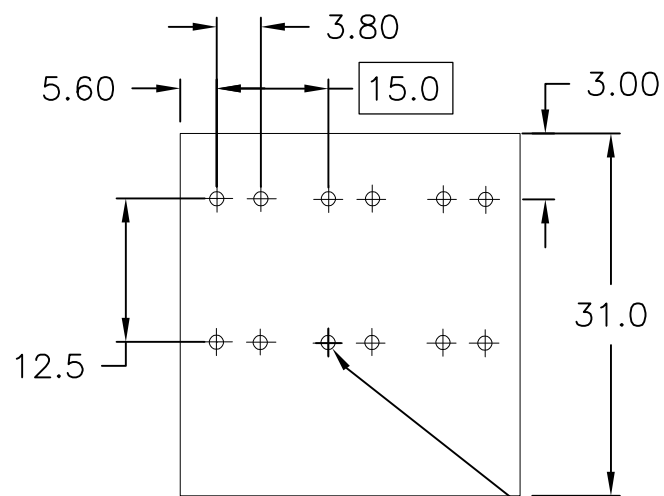
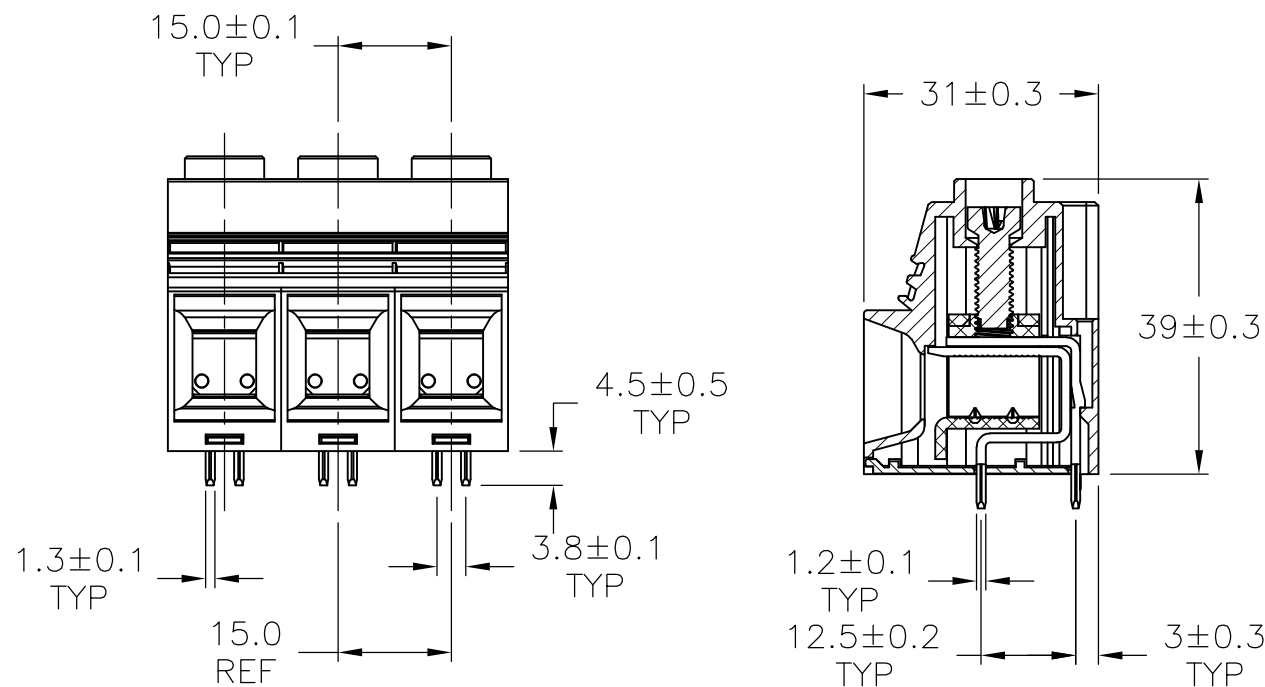
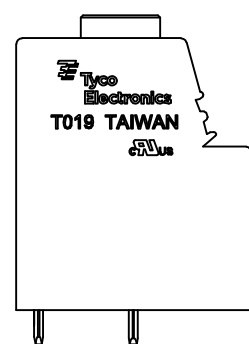
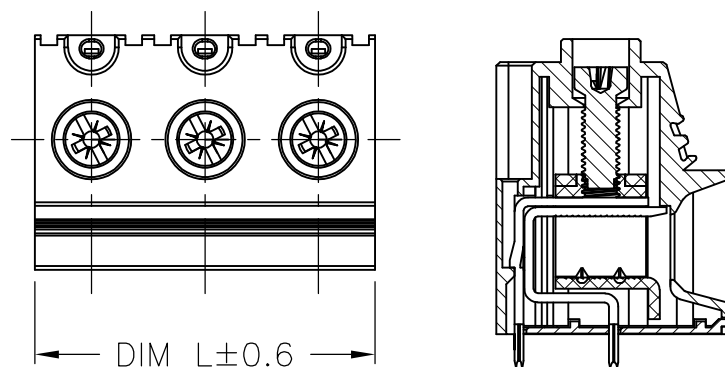
HOUSING: PA66, UL94V-0, COLOR: GREEN.
 TERMINAL: BRASS, TIN PLATED.
 CAGE CLAMP: STEEL, ZINC PLATED.
 SCREW: M5, STEEL, TRI-CHROMATE.

ELECTRICAL:

CURRENT RATING: 125A
 VOLTAGE RATING: 600V.
 INSULATION WITHSTANDS: AC2000V MIN
 INSULATION RESISTANCE: 2000Mohm/DC500V
 WIRE RANGE: 1-20 AWG

MECHANICAL:

SCREW TORQUE: 30 IN-LB
 OPERATING TEMP.: -40° TO +105°C
 WIRE STRIP LENGTH: 18mm



RECOMMENDED PCB LAYOUT

120.00	8	1986242-8
105.00	7	1986242-7
90.00	6	1986242-6
75.00	5	1986242-5
60.00	4	1986242-4
45.00	3	1986242-3
30.00	2	1986242-2
DIM L	NO OF POS	PART NUMBER

THIS DRAWING IS A CONTROLLED DOCUMENT.		DWN S SCHLEGEL 28AUG2007	STE TE Connectivity	
DIMENSIONS: mm		CHK C RICHARD 8/28/07		
TOLERANCES UNLESS OTHERWISE SPECIFIED: ±0.1		APVD C RICHARD 8/28/07	NAME POWER CONNECTOR 15.0mm PITCH	
0 PLC ± -		PRODUCT SPEC	APPLICATION SPEC	
1 PLC ± -		APPLIC. SPEC	RESTRICTED TO	
2 PLC ± -		WEIGHT -	SIZE A3	CAGE CODE 00779
3 PLC ± -		CUSTOMER DRAWING	DRAWING NO C-1986242	SCALE 1:1
4 PLC ± -			SHEET 1 OF 1	REV A6
ANGLES ± 1°				
FINISH -				

单击下面可查看定价，库存，交付和生命周期等信息

[>>TE Connectivity\(泰科\)](#)