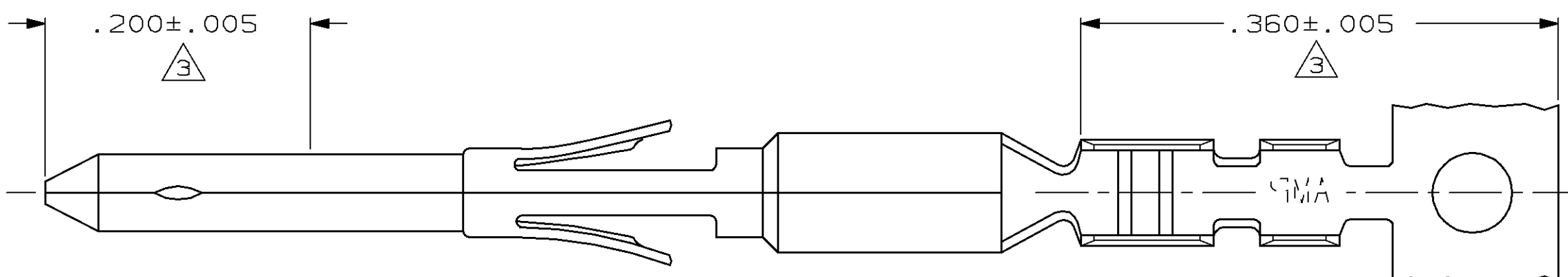


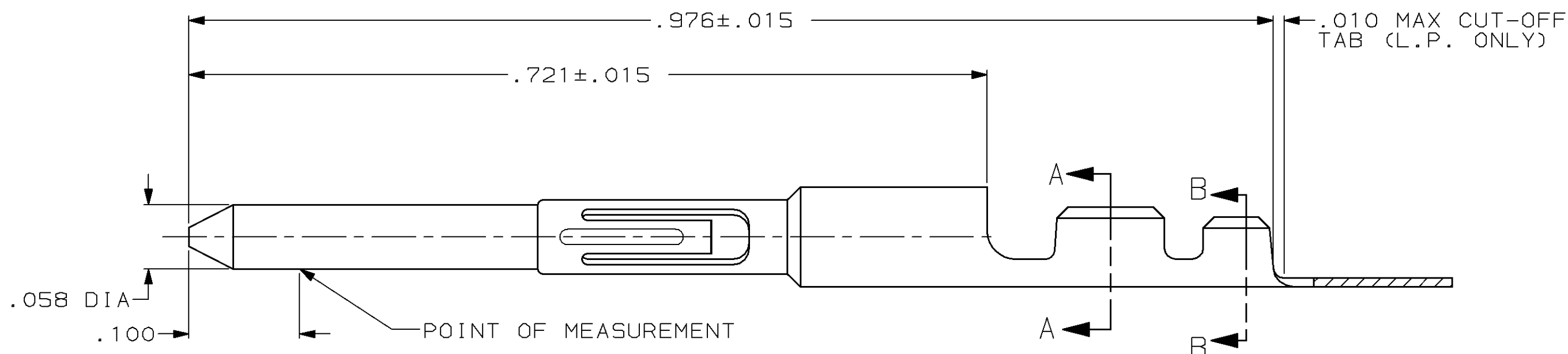
THIS DRAWING IS UNPUBLISHED. RELEASED FOR PUBLICATION, 19 .  
 © COPYRIGHT 19 BY AMP INCORPORATED. ALL INTERNATIONAL RIGHTS RESERVED.

MOD 1 LOC BD DIST 20

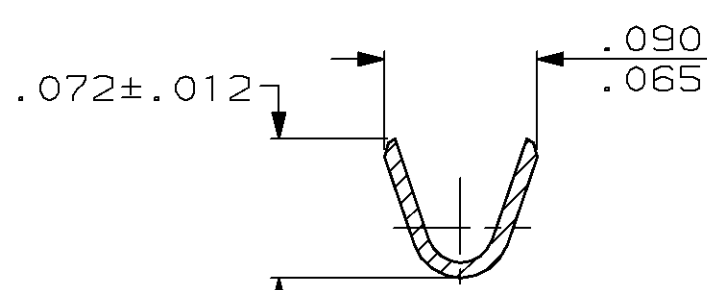
REVISIONS				
ZONE	LTR	DESCRIPTION	DATE	APPD
	E	REVISED & REDRAWN PER SP-46	8-27-87	-
	F	REVISED ECN-SP-85	2-11-88	-
	G	REVISED ECN BD2801	2-16-89	RW
	H	OBSOLETE -6 PER EC 0020-894-94	08/17/94	AT
	J	OBS -4 PER EC 0020-1416-94	11/25/94	AT



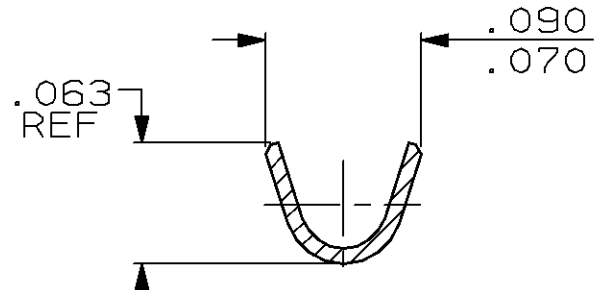
1. WIRE RANGE: #24 - #20 AWG.
2. INSULATION RANGE: .054 - .036 DIA.
3. DUPLEX PLATED .000150 MIN. TIN/LEAD ON WIRE BARREL END FOR LENGTH OF .360, .0000150 MIN. THK. GOLD ON MATING END FOR A LENGTH OF .200 WITH ENTIRE CONTACT UNDERPLATED .000100 MAX. THK. NICKEL.
4. TIN PLATE .000050 MIN. THK OVER NICKEL.
5. SILVER PLATE .000100 MIN. THK. OVER COPPER.
6. OBSOLETE PART NUMBER.



-	5	6	66735-6
6	66735-4	4	66735-2
6	66735-3	3	66735-1
LOOSE PIECE P/N	FINISH	PART NO	



SECTION A-A



SECTION B-B

DO NOT SCALE PRINT. UNLESS SPECIFIED DIMENSIONS IN INCHES TOLERANCES ON: 2 PLC DEC ± - 3 PLC DEC ± - ANGLES ± -	DR 10-6-87 L.SIPE	AMP Incorporated Harrisburg, PA 17105-3608		
	CHK 10-13-87 S.WELDON			NAME
MATERIAL BRASS PER MIL-C-50	APPD 10-13-87 D.NEIDIG	CIRCULAR DIN, PIN CONTACT		
FINISH SEE TABLE	APPD 10-13-87 V.KUMAR			
	PRODUCT SPEC	SIZE	CAGE CODE	DRAWING NO
	APPLICATION SPEC	C	00779	C=66735
	WEIGHT -	SCALE 10:1		SHEET 1 OF 1

THIS DRAWING IS A CONTROLLED DOCUMENT FOR AMP INCORPORATED. IT IS SUBJECT TO CHANGE AND THE CONTROLLING ENGINEERING ORGANIZATION SHOULD BE CONTACTED FOR THE LATEST REVISION.

单击下面可查看定价，库存，交付和生命周期等信息

[>>TE Connectivity\(泰科\)](#)