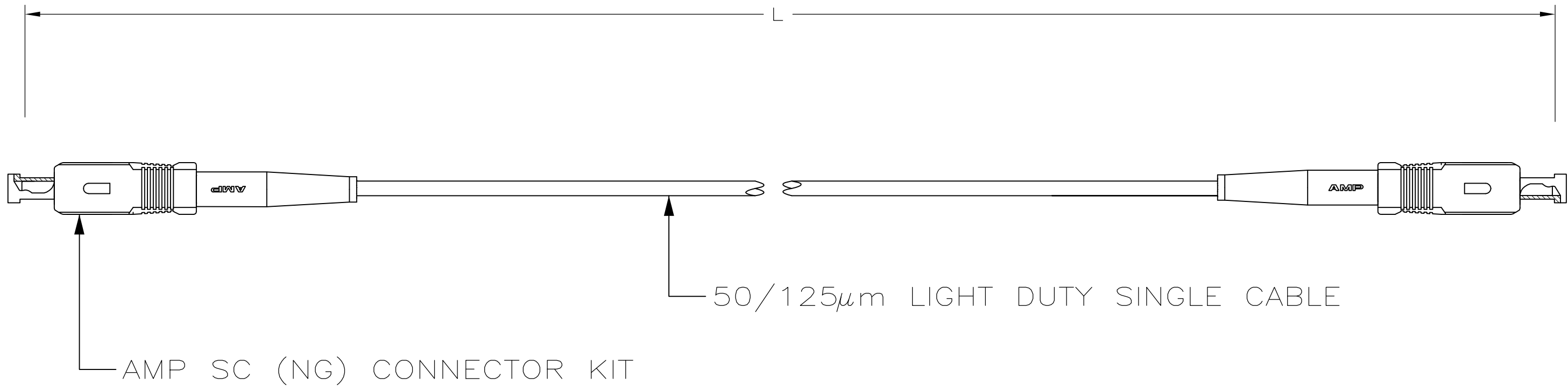


THIS DRAWING IS UNPUBLISHED. RELEASED FOR PUBLICATION
 © COPYRIGHT - By - ALL RIGHTS RESERVED.

LOC		DIST		REVISIONS			
P	LTR	DESCRIPTION		DATE	DWN	APVD	
	B	SEE ECR-11-023997		28NOV11	SW	RZ	

1. DIMENSIONS IN [] ARE IN INCHES.
 2. PRODUCT AND PROCESSING MUST MEET REQUIREMENTS OF THE TYCO ELECTRONICS STANDARD 230-702
- ⚠ MAXIMUM INSERTION LOSS IS 0.5dB PLUS CABLE ATTENUATION OF 1.5dB/km @ 1300nm(SEE TABLE)



MAXIMUM IL(dB)	L	PART NUMBER
0.54	25±0.30 [984±12]	1-5504968-1
0.58	55±0.6 [2165±24]	1-5504968-0
0.55	30±0.3 [1181±12]	5504968-9
0.59	60±0.6 [2362±24]	5504968-8
0.53	20±0.3 [787±12]	5504968-7
0.52	15±0.15 [591±6]	5504968-6
0.52	10±0.15 [394±6]	5504968-5
0.51	5±0.08 [197±3]	5504968-4
0.50	3±0.05 [118±2]	5504968-3
0.50	2±0.05 [79±2]	5504968-2
0.50	1±0.05 [39±2]	5504968-1

THIS DRAWING IS A CONTROLLED DOCUMENT.

DWN	C.S.VASU	02 FEB 06
CHK	J.DUNCAN	02 FEB 06
APVD	J.DUNCAN	02 FEB 06

TE TE Connectivity

NAME: CABLE ASSEMBLY, FIBER OPTIC, 50/125 um LDS, AMP SC (NG) TO AMP SC (NG), OPTIMATE

SIZE	CAGE CODE	DRAWING NO	RESTRICTED TO
A2	00779	5504968	-

CUSTOMER DRAWING SCALE: NTS SHEET: 1 of 1 REV: B

5504968

单击下面可查看定价，库存，交付和生命周期等信息

[>>TE Connectivity\(泰科\)](#)