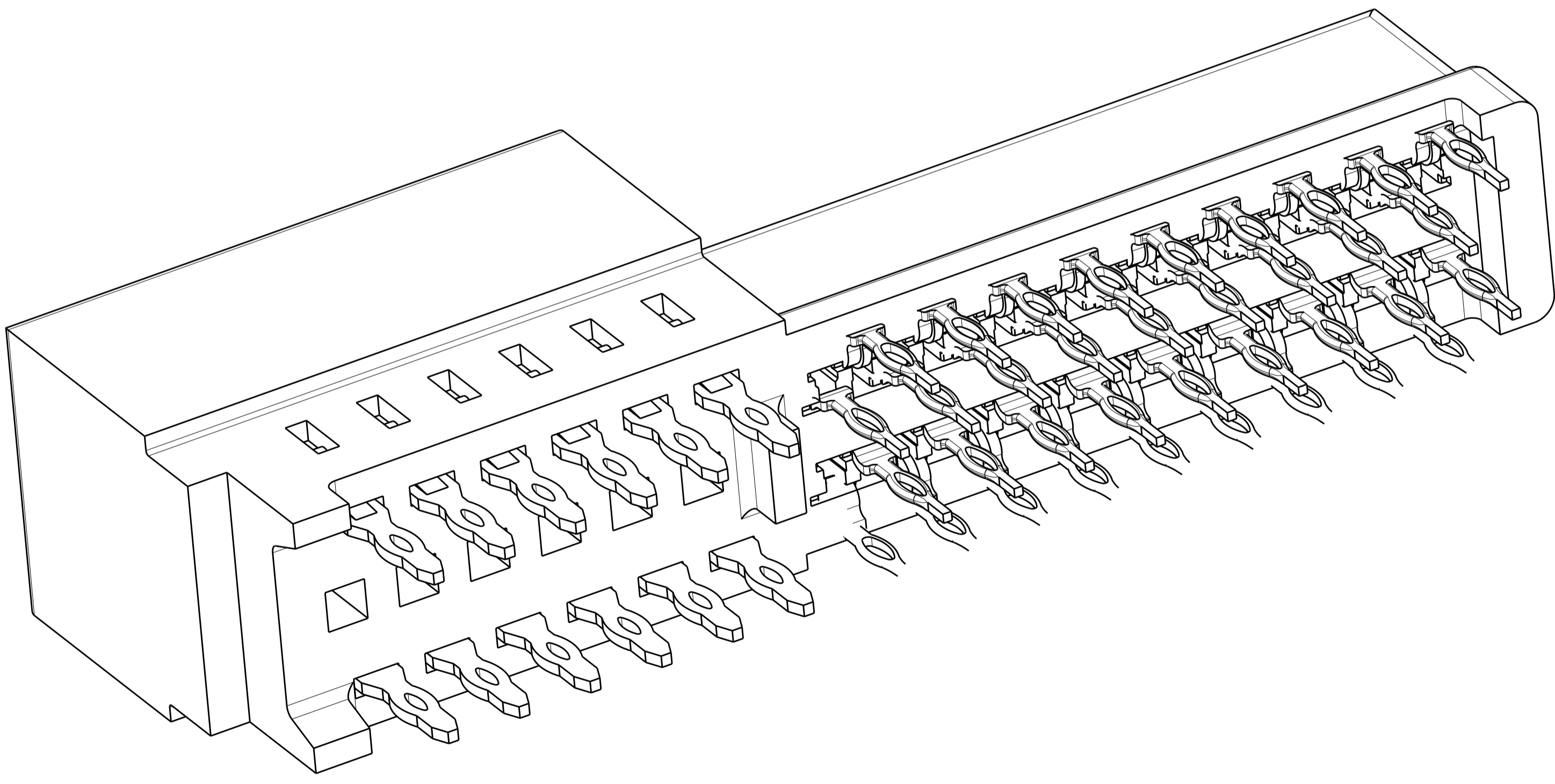
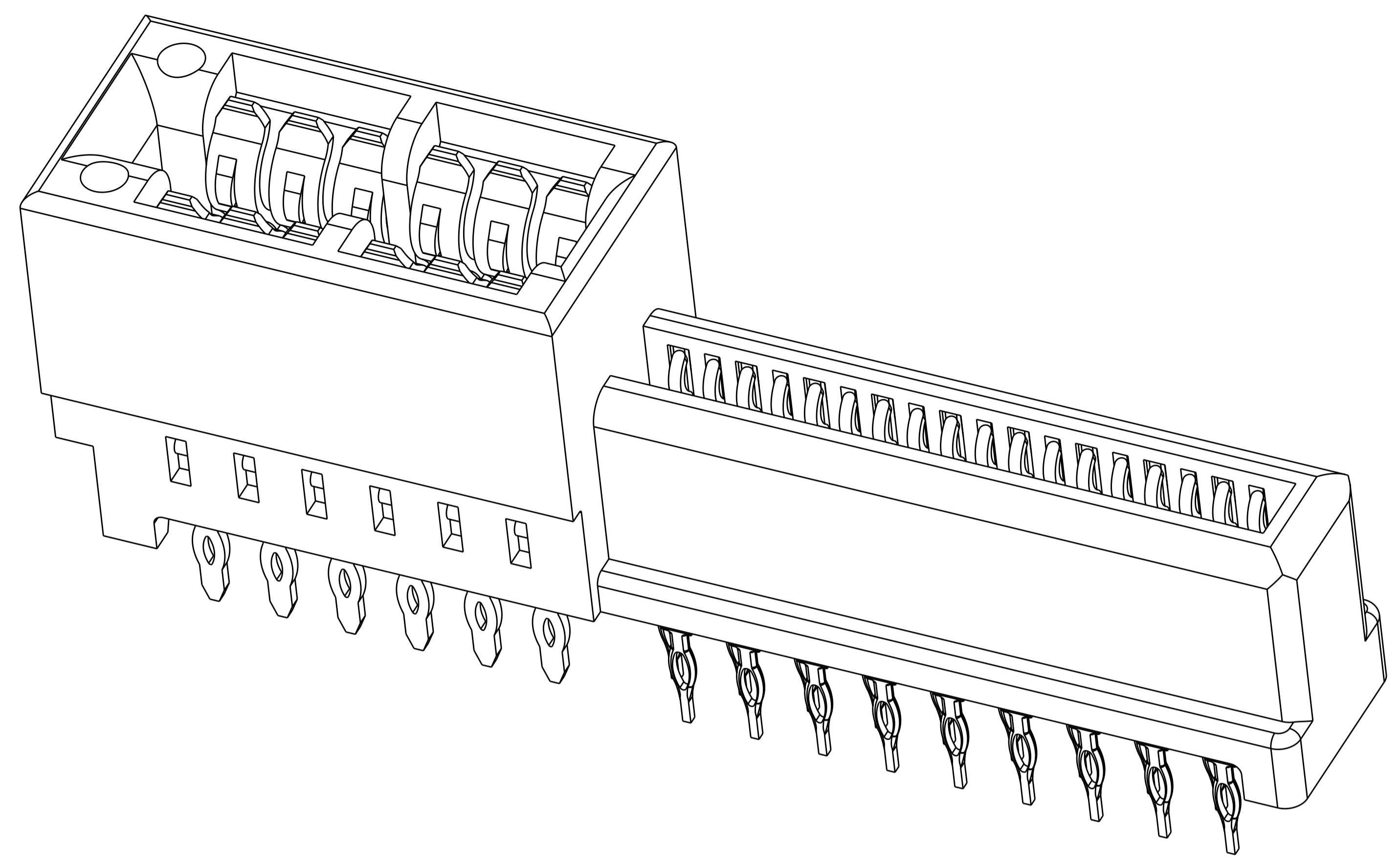


LOC		DIST		REVISIONS			
AA	00	P	LTN	DESCRIPTION	DATE	DWN	APVD
		A		INITIAL RELEASED	27FEB2013	AY	SZ
		A1		REV PER ECR-13-007783	13MAY2013	AY	SZ

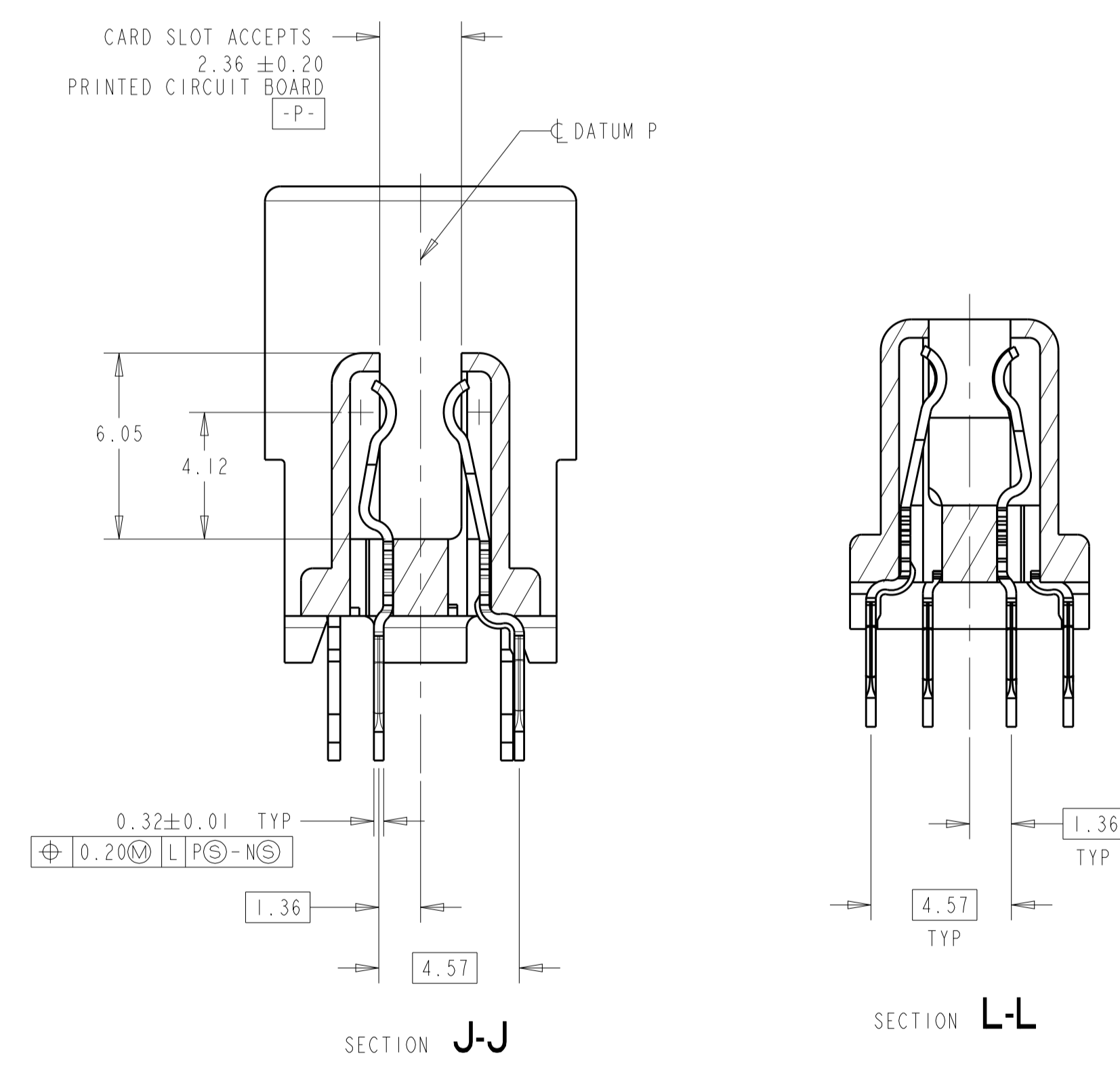
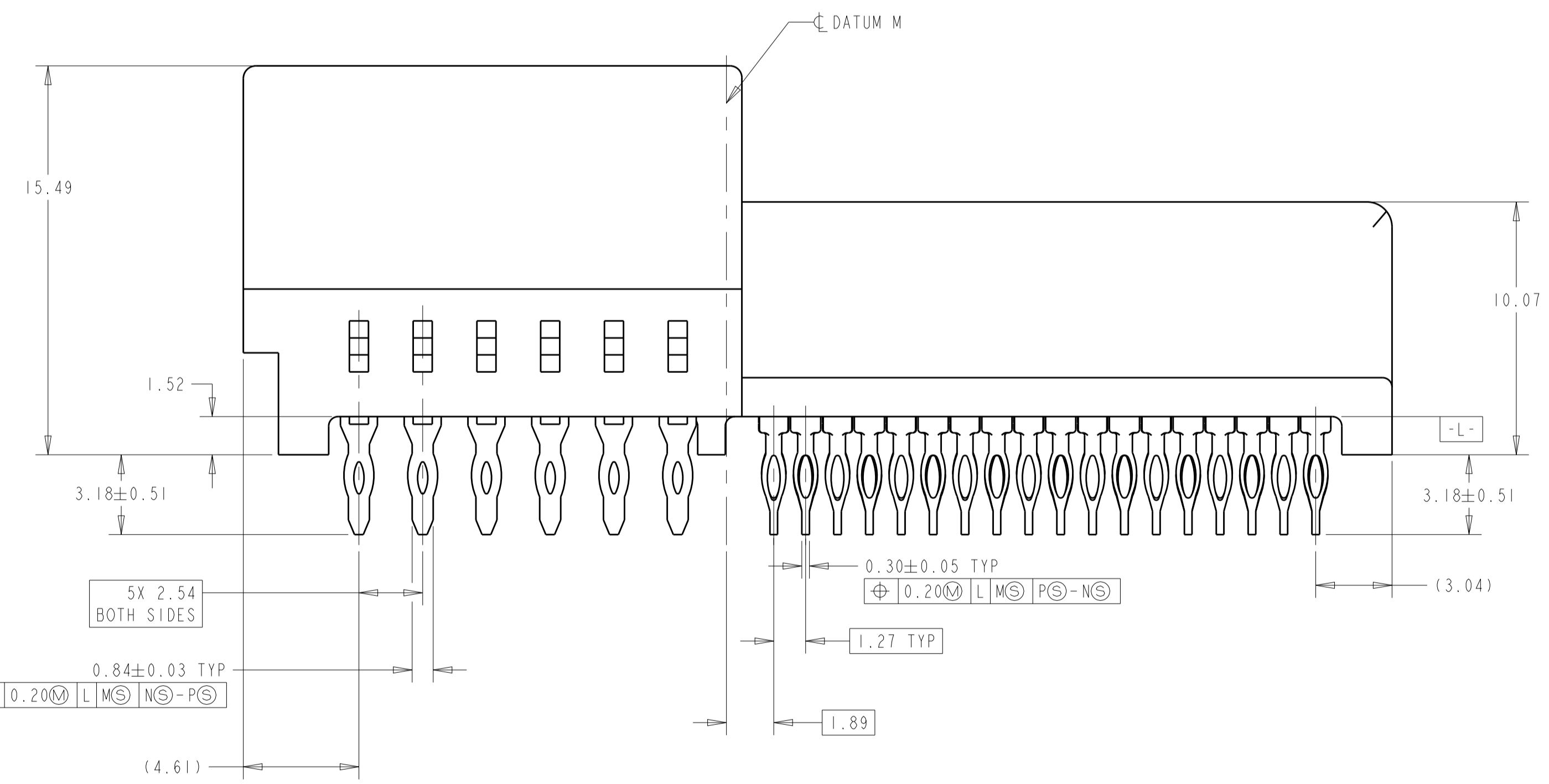
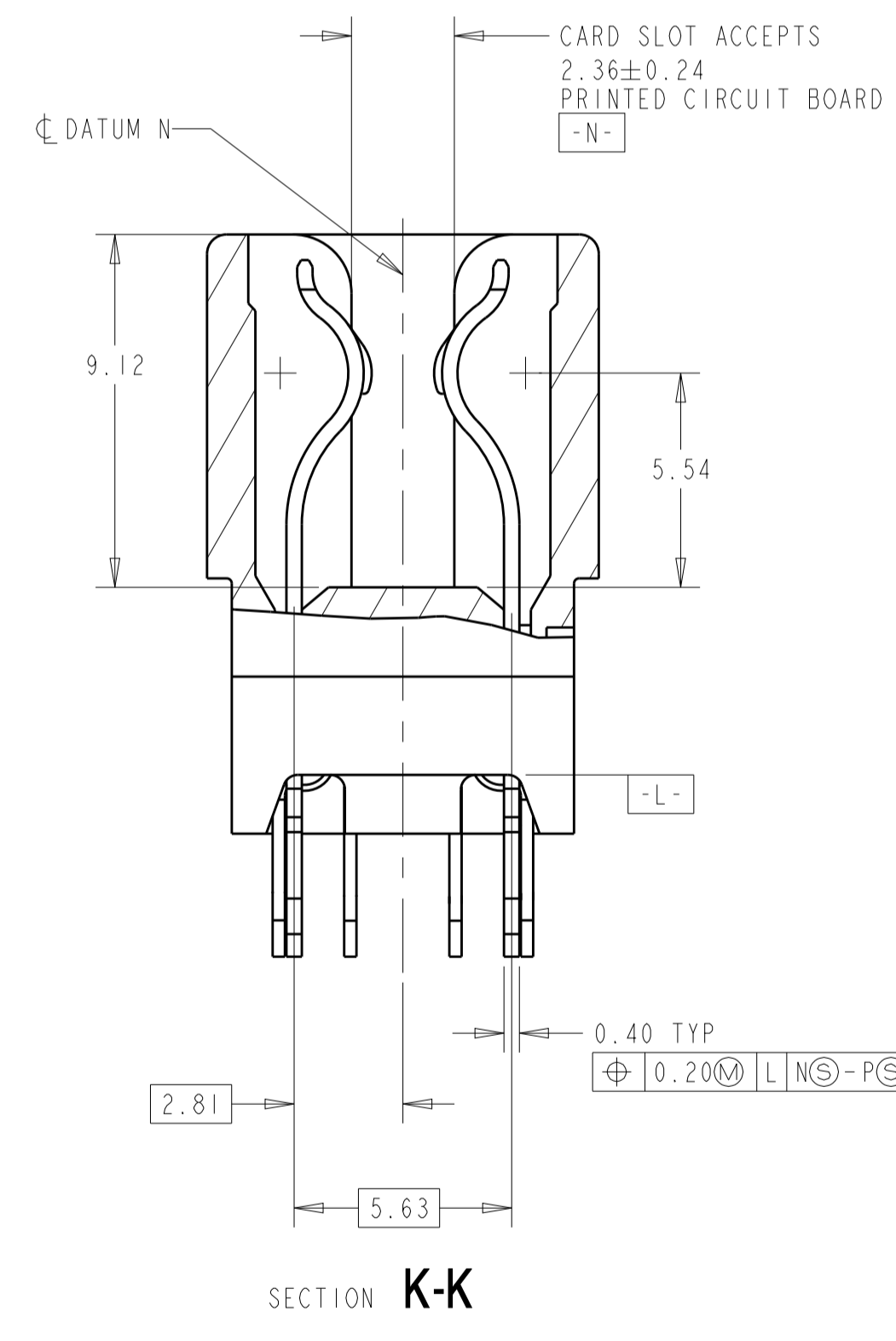
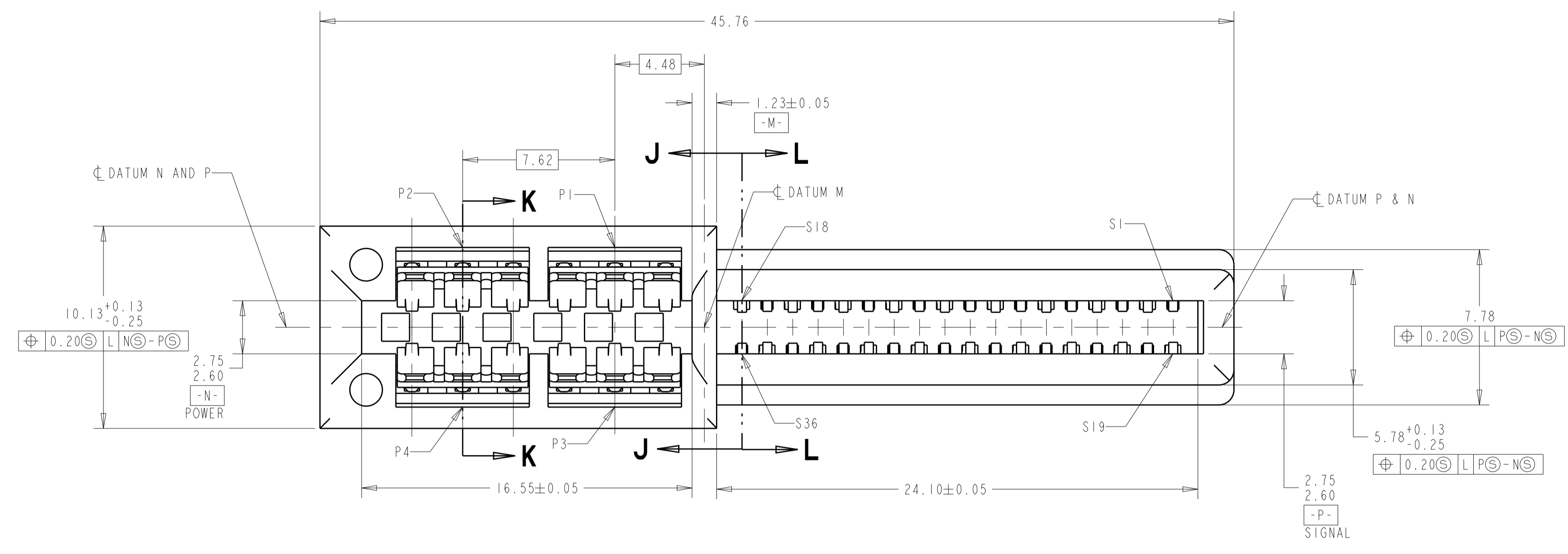


1. HOUSING: GLASS FILLED POLYESTER, COLOR - BLACK, UL94V-0 @ 1.50mm MIN. THICKNESS  
 CONTACT: HIGH CONDUCTIVITY COPPER ALLOY
- (A1) 2. FINISH:  
 CONTACTS - GOLD PLATE 0.76µm MIN THK IN MATING AREA  
 OVER NICKEL 1.27µm MIN THK.  
 SOLDER TAILS - MATTE TIN PLATE 1.27µm MIN THK.  
 OVER NICKEL 1.27µm MIN THK.
3. DIMENSION SPECIFIED BY CUSTOMER
4. NO SHARP EDGES PERMITTED
5. FOR INSERTION INTO PCB USE TE PRESS FIT TOOL PART NUMBER 2063547-1
6. PRODUCT SPECIFICATION 108-1548 APPLIES TO 36 CHAMP .050 SERIES SIGNAL CONTACTS. PRODUCT SPECIFICATION 108-2202 APPLIES TO 4 SEC II POWER CONTACTS.
7. APPLICATION SPECIFICATION 114-6061 APPLIES TO CHAMP .050 SERIES SIGNAL CONTACTS. APPLICATION SPECIFICATION 114-13018 APPLIES TO 4 SEC II POWER CONTACTS.

2204061-2  
 PART NO.

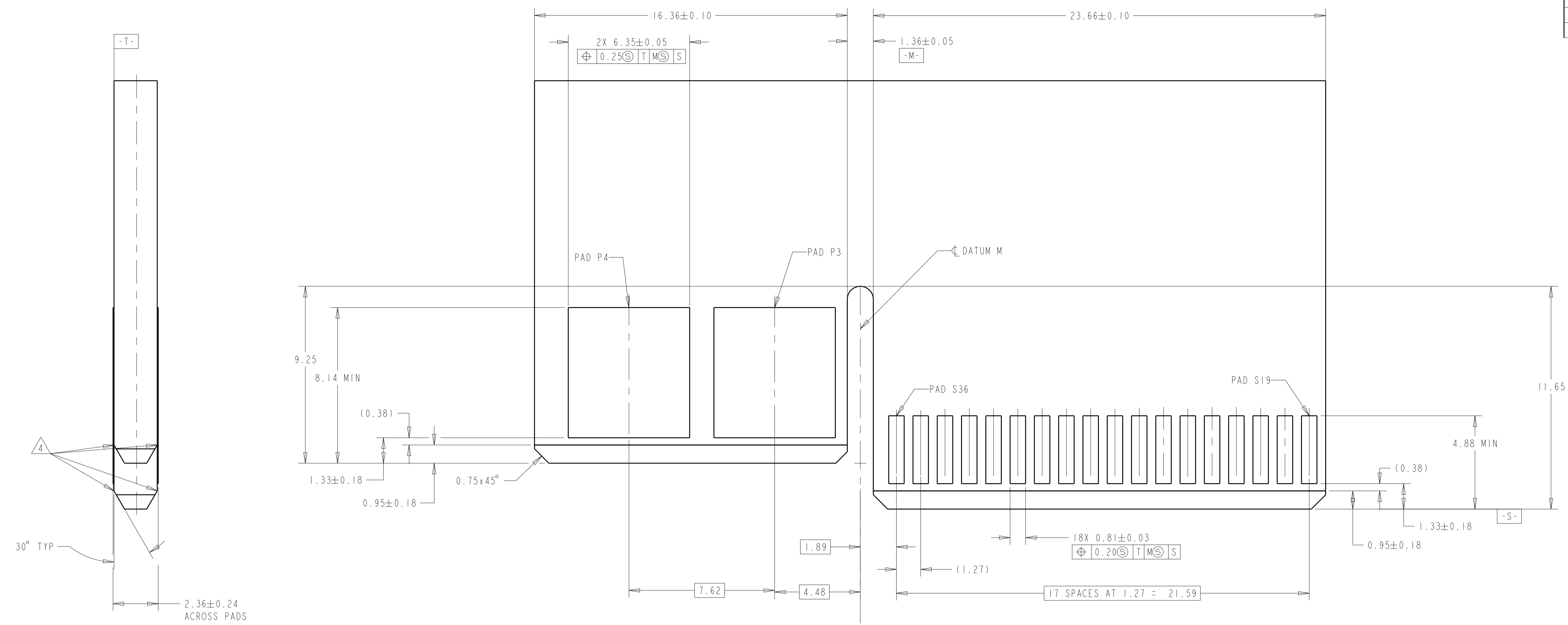
THIS DRAWING IS A CONTROLLED DOCUMENT.		DWN L.A.MAYER 28MAY2008	TE Connectivity NAME: CONNECTOR ASSEMBLY, SEC II POWER, 4 POWER AND 36 SIGNAL, PRESS FIT SIZE: A1 CAGE CODE: 00779 DRAWING NO: 2204061 RESTRICTED TO: -
DIMENSIONS: mm		CHK A.FRANZIUM 28MAY2008	
TOLERANCES UNLESS OTHERWISE SPECIFIED:		APVD S.FLICKINGER 28MAY2008	
0 PLC ± 1 PLC ± 2 PLC ±0.13 3 PLC ± 4 PLC ± ANGLES ±1° FINISH SEE NOTE 1		PRODUCT SPEC 6 APPLICATION SPEC 7 WEIGHT - CUSTOMER DRAWING	
MATERIAL SEE NOTE 1		SCALE 3:1	SHEET 1 OF 3

LOC	DIST	REVISIONS			
P	LTN	DESCRIPTION	DATE	DMN	APVD
-	-	SEE SHEET 1	-	-	-

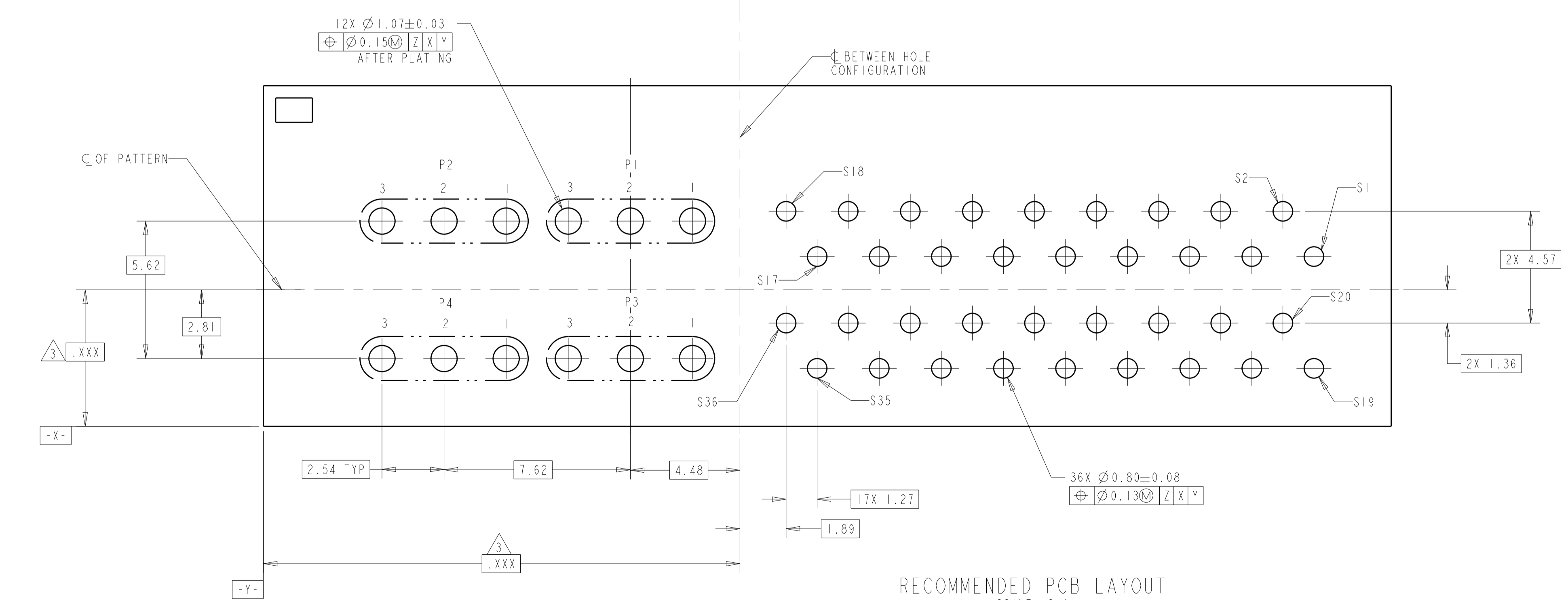


THIS DRAWING IS A CONTROLLED DOCUMENT.		DMN L.A.MAYER 28MAY2008	TE Connectivity
DIMENSIONS: mm		CHK A.FRANZIUM 28MAY2008	
TOLERANCES UNLESS OTHERWISE SPECIFIED:		APVD S.FLICKINGER 28MAY2008	NAME CONNECTOR ASSEMBLY, SEC II POWER, 4 POWER AND 36 SIGNAL, PRESS FIT
0 PLC ± 1 PLC ±0.13 2 PLC ± 3 PLC ± 4 PLC ± ANGLES ±1°		PRODUCT SPEC APPLICATION SPEC	SIZE A1
MATERIAL SEE NOTE 1		FINISH SEE NOTE 1	WEIGHT -
CUSTOMER DRAWING		SCALE 3:1	SHEET 2 OF 3
		DRAWING NO. 00779	REV A1

LOC		DIST		REVISIONS				
P	LTN	DESCRIPTION	DATE	DMN	APVD			
-	-	SEE SHEET 1	-	-	-			



RECOMMENDED DAUGHTER CARD CONFIGURATION  
 SCALE 8:1



RECOMMENDED PCB LAYOUT  
 SCALE 8:1

THIS DRAWING IS A CONTROLLED DOCUMENT.		DMN L.A.MAYER 28MAY2008	TE Connectivity
DIMENSIONS: mm		CHK A.FRANZIUM 28MAY2008	
TOLERANCES UNLESS OTHERWISE SPECIFIED:		APVD S.FLICKINGER 28MAY2008	NAME CONNECTOR ASSEMBLY, SEC II POWER, 4 POWER AND 36 SIGNAL, PRESS FIT
0 PLC ± 1 PLC ±0.13 2 PLC ± 3 PLC ± 4 PLC ±		PRODUCT SPEC	
MATERIAL SEE NOTE 1		FINISH SEE NOTE 1	APPLICATION SPEC
WEIGHT		SIZE A1	CAGE CODE DRAWING NO. 00779 ©=2204061
CUSTOMER DRAWING		SCALE 4:1	SHEET 3 OF 3 REV A1

单击下面可查看定价，库存，交付和生命周期等信息

[>>TE Connectivity\(泰科\)](#)