

4

3

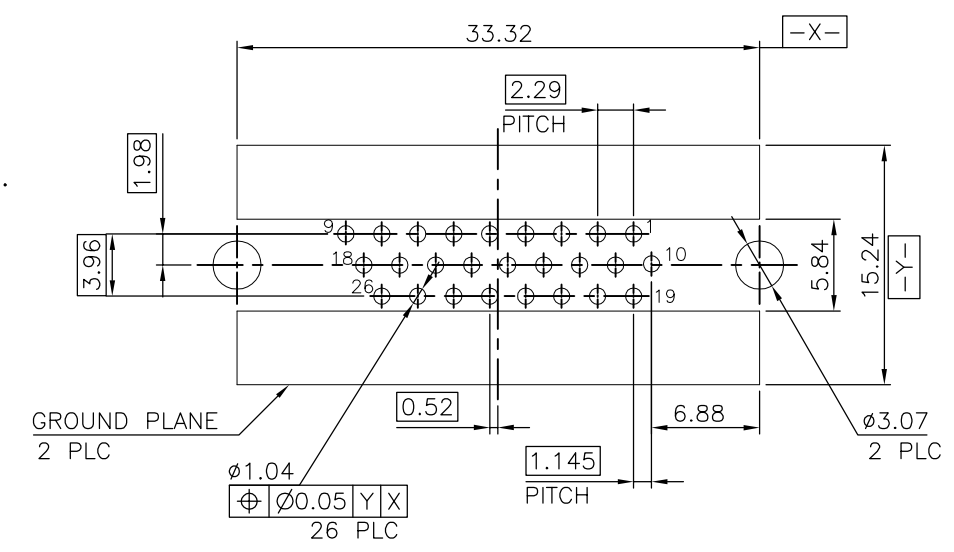
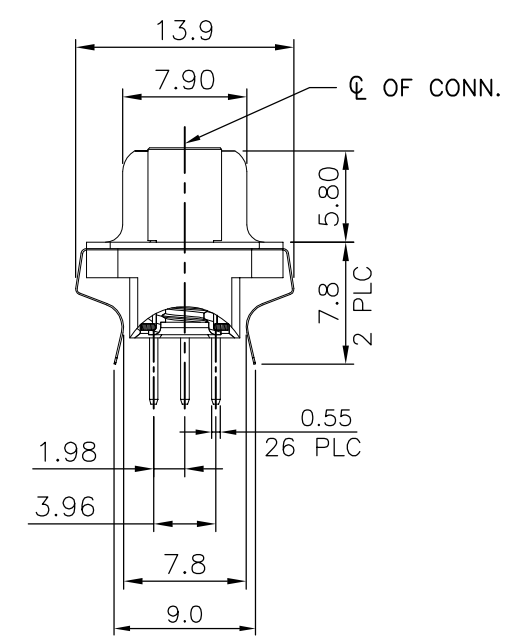
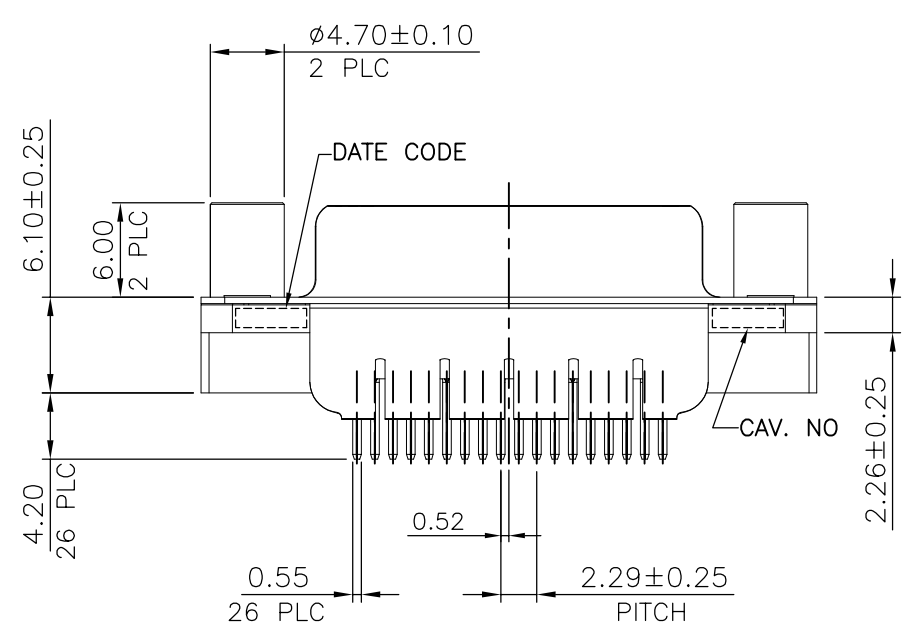
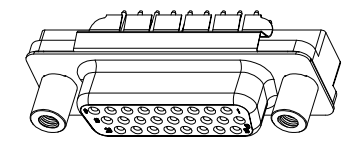
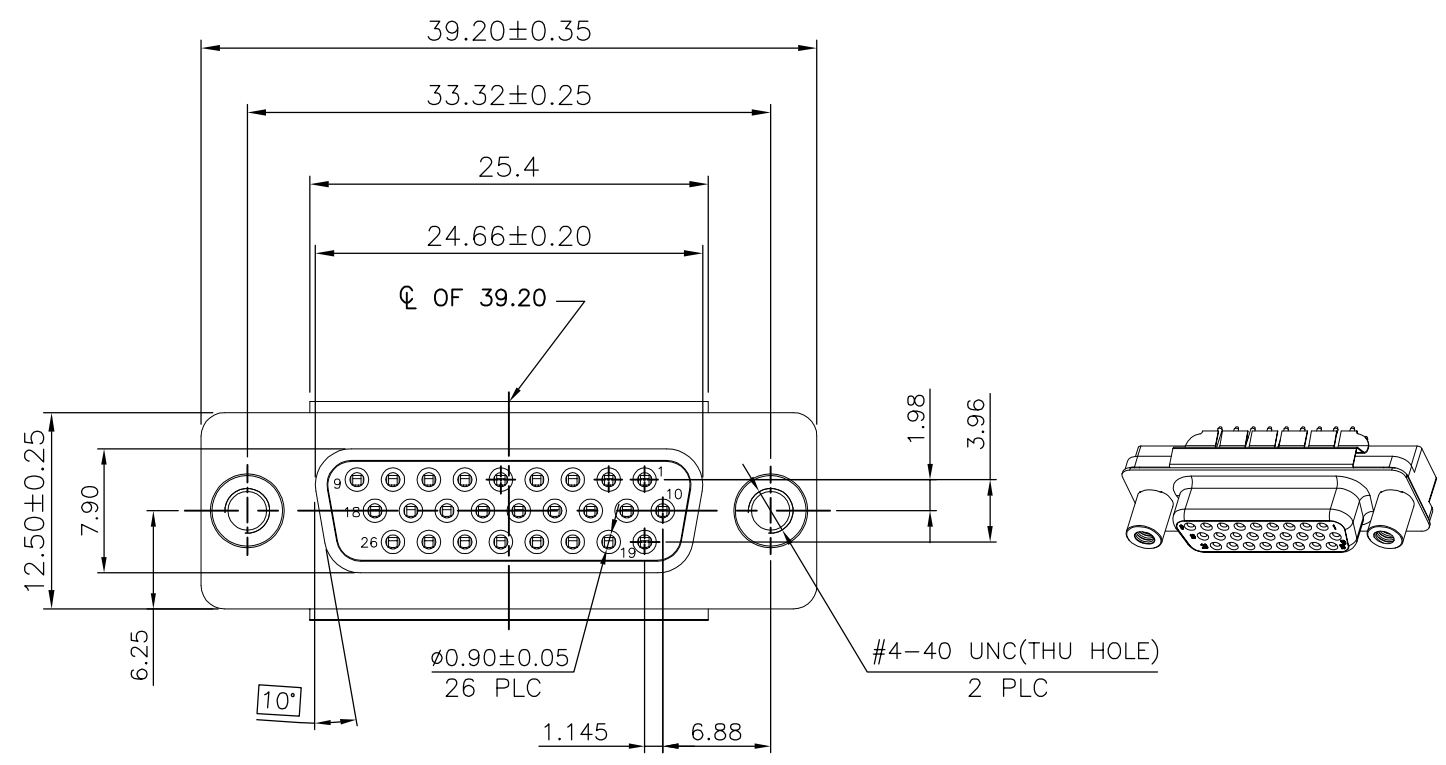
2

1

THIS DRAWING IS UNPUBLISHED. RELEASED FOR PUBLICATION
 © COPYRIGHT BY TYCO ELECTRONICS CORPORATION. ALL RIGHTS RESERVED.

LOC	DIST	REVISIONS			
P	LTR	DESCRIPTION	DATE	DWN	APVD
DW	-	A2	REVISED PER ECO-15-011151	14DEC2015	AP DG

- NOTE:
- MATERIAL:
 HOUSING: PBT WITH 30% GF POLYESTER, UL 94V-0, BLACK COLOR.
 CONTACTS: PHOSPHOR BRONZE.
 SHELL: STEEL.
 GROUND PLATE: STAINLESS STEEL SHEET.
 NUT: BRASS.
 WASHER: BRASS.
 - FINISH:
 CONTACTS:
 GOLD PLATING IN CONTACT AREA (SEE TABLE),
 3.04um [120u"] MIN. MATTE-TIN ON SOLDER TAIL, WITH ENTIRE CONTACT UNDERPLATED
 1.27um [50u"] MIN. NICKEL.
 SHELL: 1.27um [50u"] MIN. NICKEL OVER ALL.
 NUT: 1.27um [50u"] MIN. NICKEL OVER ALL.
 WASHER: 1.27um [50u"] MIN. NICKEL OVER ALL.
 - WAVE SOLDER CAPABLE TO 265°C PER TE TEST SPEC. 109-202, CONDITION B.
 - OBsolete PARTS: OBSOLETE CIS STREAMLINING PER D.RENAUD/D.SINISI.
 - SCREWLOCKS TO BE CAPABLE OF ACCEPTING #4-40 UNC-2A SCREWS WHEN THREADED INTO THE TOP AND BOTTOM OF THE SCREWLOCKS.
 - DATE CODE: XX XX
 YEAR WEEK



TOLERANCE: ±0.05
 RECOMMENDED PCB LAYOUT
 (TOP VIEW)

△	GOLD FLASH	5786073-4
OBSOLETE	15u"	5786073-3
OBSOLETE	30u"	5786073-1
	FINISH	PART NO.

THIS DRAWING IS A CONTROLLED DOCUMENT.		DWN	B. MCMASTER	22SEP2005		NAME D-SUB CONNECTOR, VERTICAL 26POS, FEMALE FRONT METAL SHELL	
DIMENSIONS: MM		CHK	S. BOLASH	22SEP2005			
TOLERANCES UNLESS OTHERWISE SPECIFIED:		APVD	M. WALMSLEY	22SEP2005			
0 PLC ± - 1 PLC ± 0.3 2 PLC ± 0.2 3 PLC ± 0.1 4 PLC ± - ANGLES ± 2'		PRODUCT SPEC		SIZE			A3
MATERIAL SEE NOTE		FINISH SEE NOTE		WEIGHT	7.78 GRAMS	CAGE CODE	00779
				APPLICATION SPEC		DRAWING NO	C=5786073
				RESTRICTED TO	-	SCALE	-
				CUSTOMER DRAWING		SHEET	1 OF 2
				REV	A2		

4

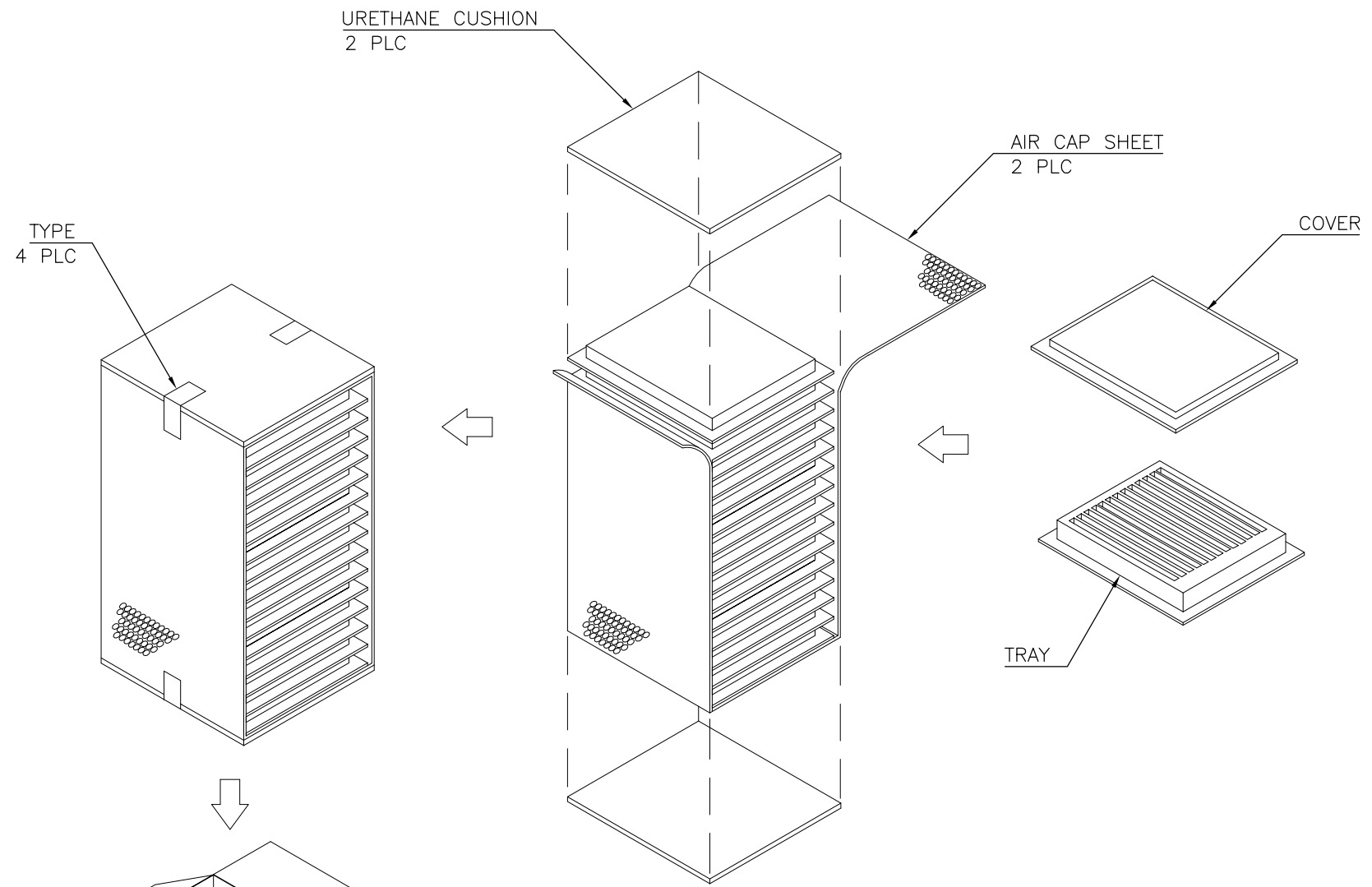
3

2

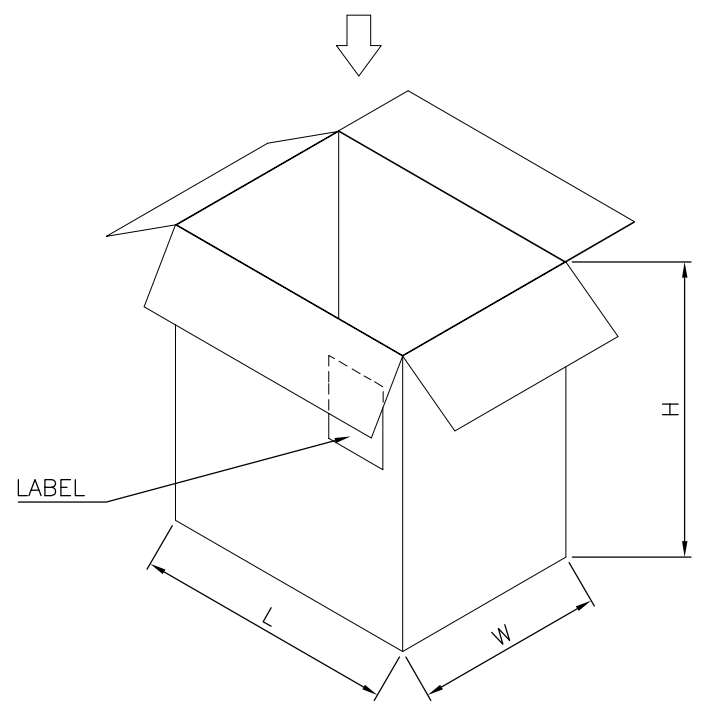
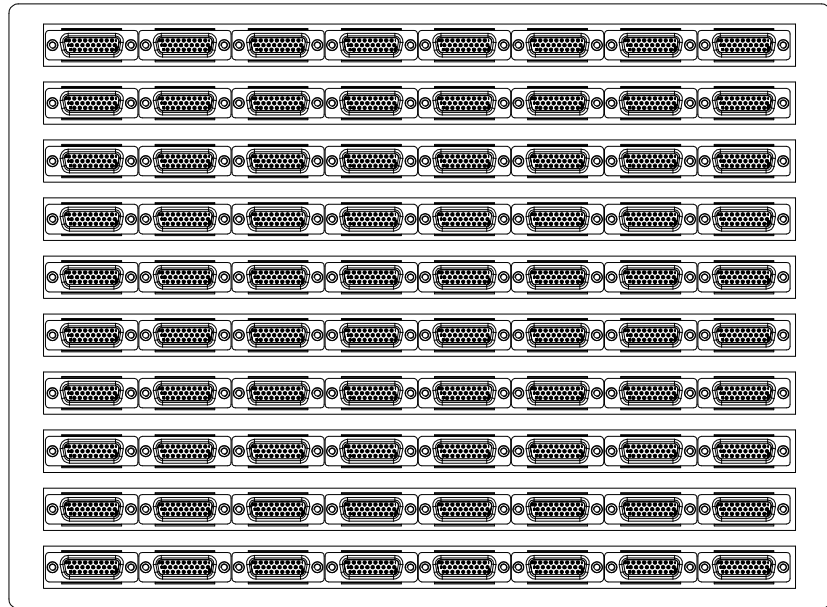
1

THIS DRAWING IS UNPUBLISHED. RELEASED FOR PUBLICATION
 © COPYRIGHT BY TYCO ELECTRONICS CORPORATION. ALL RIGHTS RESERVED.

LOC	DIST	REVISIONS				
P	LTR	DESCRIPTION	DATE	DWN	APVD	
DW	-	SEE SHEET 1.				



NOTE:
 1. MATERIAL:
 TRAY: PVC.
 BOX: CORRUGATED FIBERBOARD.
 2. DIMENSION:
 TRAY: L=345, W=230, H=16.5
 SHIPPING CARTON: L=361, W=245, H=272



9.65Kg	8.30Kg	80	15	1200
GROSS WEIGHT	NET WEIGHT	PCS/TRAY	TRAYS/BOX	PCS/BOX

THIS DRAWING IS A CONTROLLED DOCUMENT.		DWN			
DIMENSIONS: MM		CHK			
		APVD			
TOLERANCES UNLESS OTHERWISE SPECIFIED:		PRODUCT SPEC			
0 PLC ± - 1 PLC ± - 2 PLC ± - 3 PLC ± - 4 PLC ± - ANGLES ± -		APPLICATION SPEC	NAME		
MATERIAL SEE NOTE		WEIGHT	D-SUB CONNECTOR, VERTICAL 26POS, FEMALE FRONT METAL SHELL		RESTRICTED TO
SEE NOTE		CUSTOMER DRAWING	SIZE	CAGE CODE	DRAWING NO
			A3	00779	5786073
		SCALE	SHEET	REV	
		-	2 OF 2	A2	

单击下面可查看定价，库存，交付和生命周期等信息

[>>TE Connectivity\(泰科\)](#)