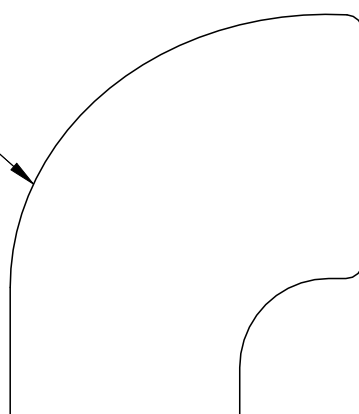
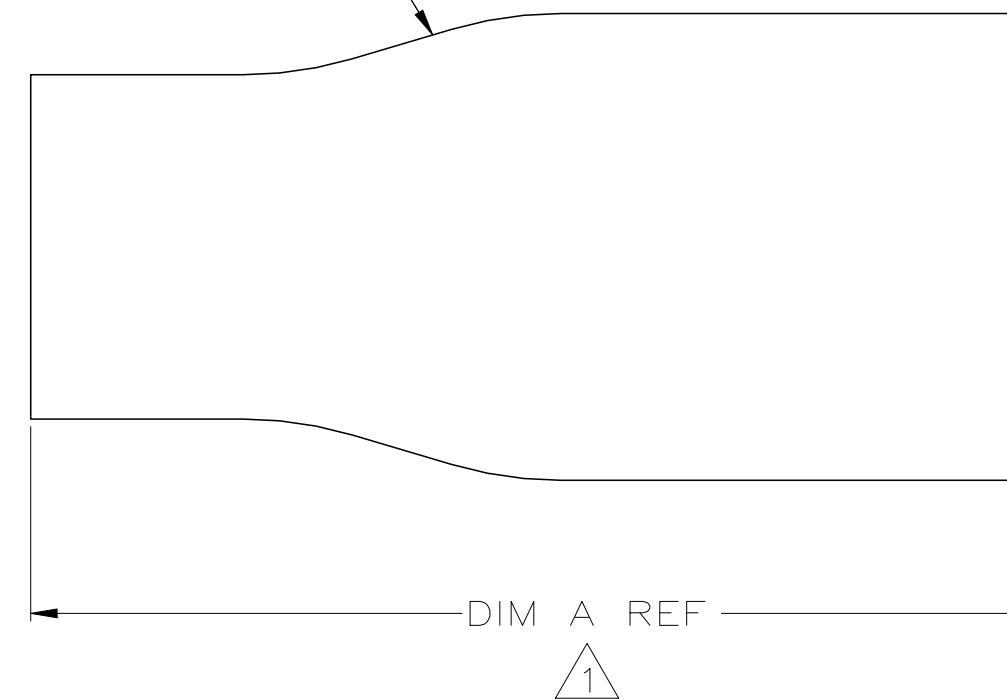


REVISIONS				
P	LTR	DESCRIPTION	DATE	APVD
L		REV PER ECO 21-007489	28JUL2021	LN DM

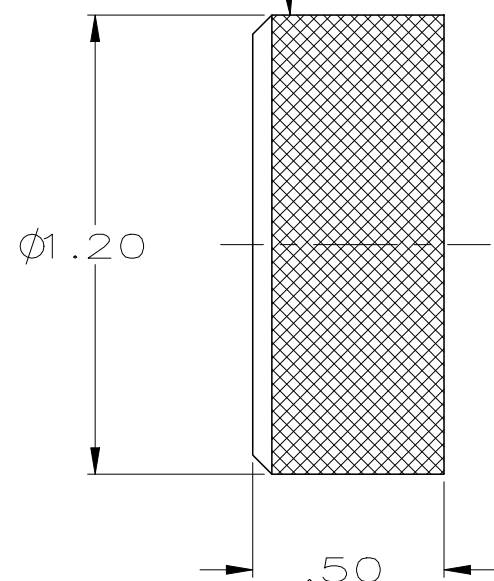
BOOT, SHRINKABLE, 90°  
MAT'L: POLYOLEFIN



BOOT, SHRINKABLE, STRAIGHT  
MAT'L: ELASTOMER/SILVER COMPOSITE



CAP  
MAT'L: BRASS  
FINISH: NICKEL  
OVER COPPER FLASH

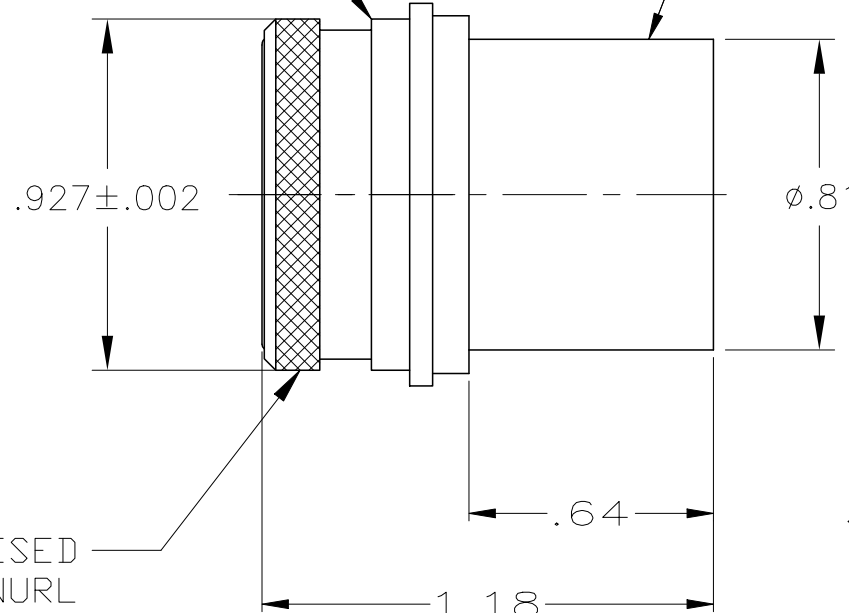


FERRULE  
MAT'L: BRASS  
FINISH: NICKEL  
OVER COPPER FLASH

2 -5 ONLY

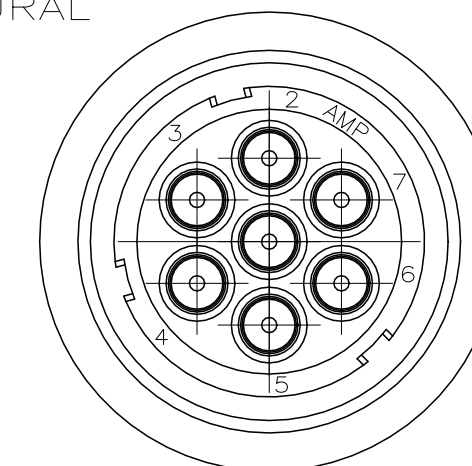
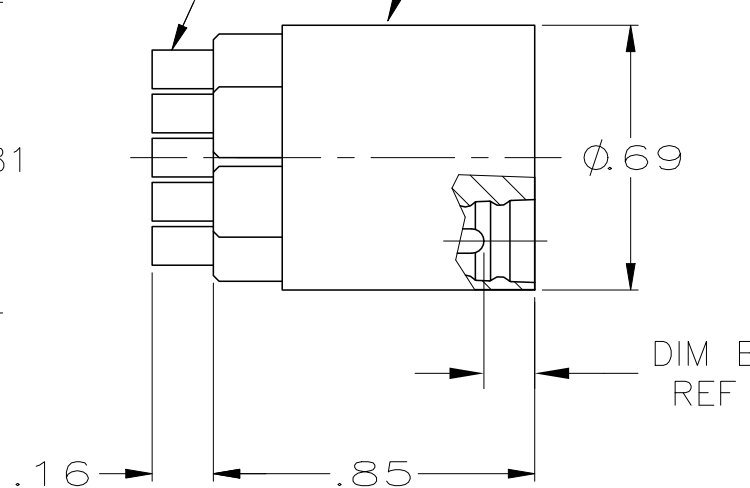
HOUSING  
MAT'L: POLYESTER

.128 DP RAISED  
DIAMOND KNURL



SOCKET END

SLUG  
MAT'L: SEE TABLE  
COLOR: NATURAL



- 1 REF. DIMENSION "A" APPLIES ONLY AFTER SHRINKING OF SHRINK BOOT.
- 2 FERRULE IS NOT ATTACHED TO PLUG HOUSING. (-5 ONLY)
- 3 SLUG MATERIAL: SILICONE RUBBER
- 4 SLUG MATERIAL: FLUROELASTOMER COMPOUND

4	.305	-	NO SHRINKABLE BOOT	865656-7
3	.265	-	NO SHRINKABLE BOOT	865656-6
3 2	.305	-	NO SHRINKABLE BOOT	865656-5
3	.305	3.15	STRAIGHT SHRINKABLE BOOT	865656-4
3	.305	-	NO SHRINKABLE BOOT	865656-3
3	.305	-	90° SHRINKABLE BOOT	865656-2
3	.305	2.63	STRAIGHT SHRINKABLE BOOT	865656-1
REMARKS	DIM B REF	DIM A 1	DISCRIPTION	PART NUMBER

THIS DRAWING IS A CONTROLLED DOCUMENT.

DWN C.C.THOMAS 7-15-96	TE Connectivity
CHK S.GLATFELTER 8-13-96	
APVD -	NAME PLUG KIT, 7 PIN MINIATURE, LGH
PRODUCT SPEC -	SIZE A2
APPLICATION SPEC -	CAGE CODE 00779
MATERIAL SEE CALLOUTS	DRAWING NO C=865656
FINISH -	RESTRICTED TO -
WEIGHT 0.000000	SCALE 2:1
CUSTOMER DRAWING	SHEET 1 of 1
	REV L

单击下面可查看定价，库存，交付和生命周期等信息

[>>TE Connectivity\(泰科\)](#)