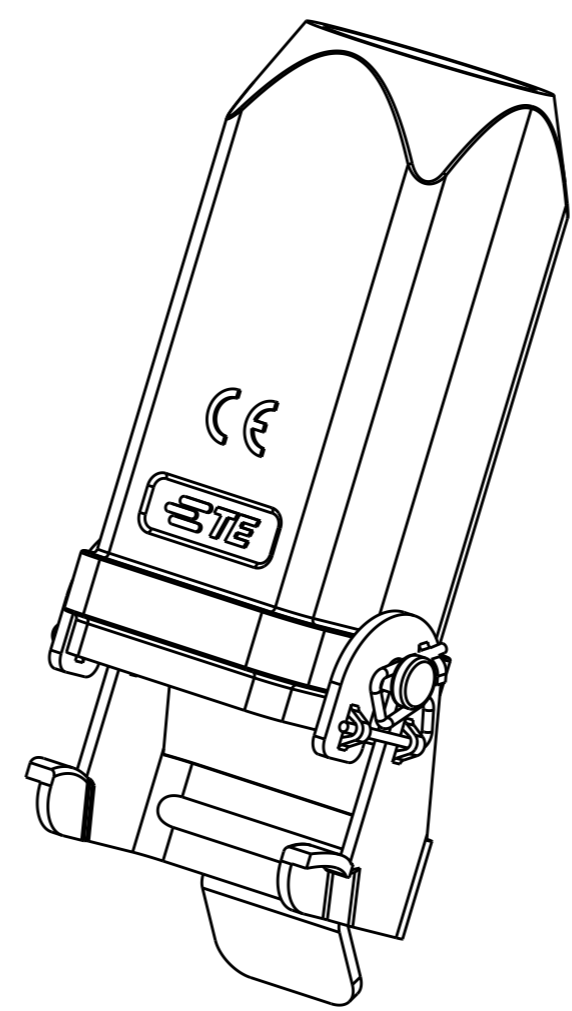
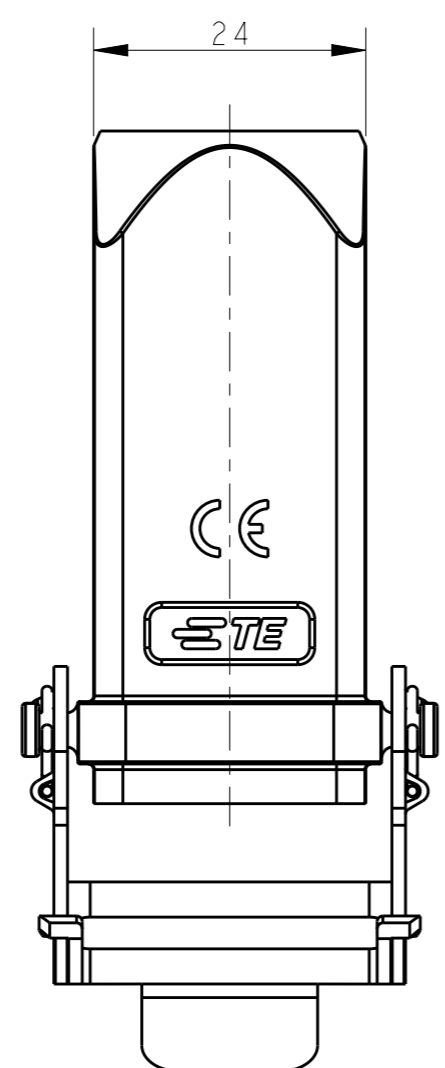
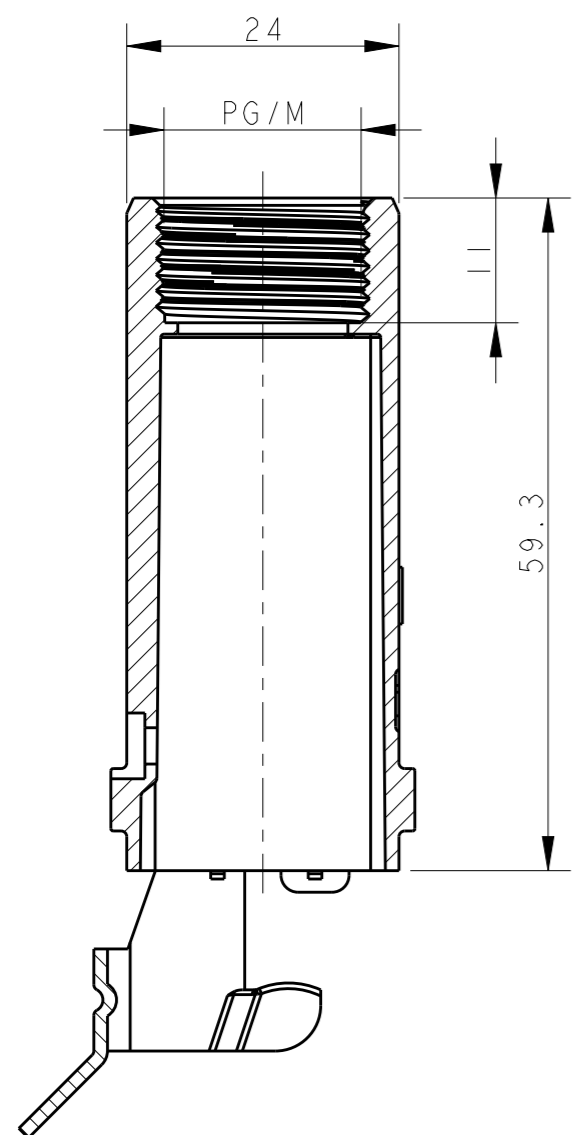


THIS DRAWING IS UNPUBLISHED. RELEASED FOR PUBLICATION 20  
 © COPYRIGHT 20 BY - ALL RIGHTS RESERVED.

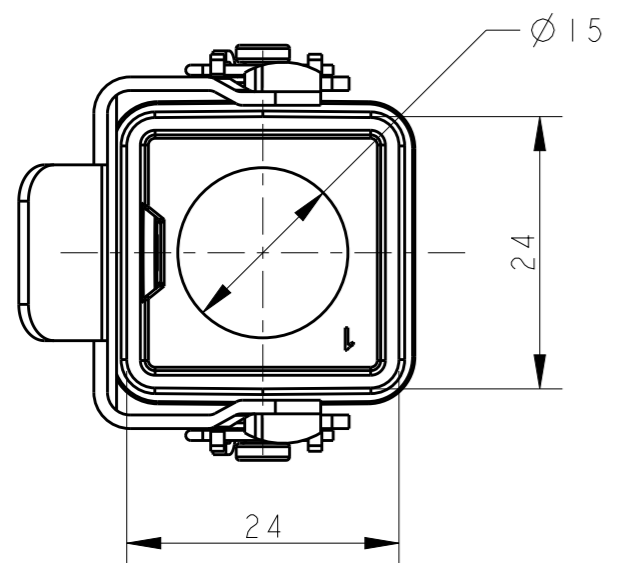
REVISIONS

P	LTR	DESCRIPTION	DATE	DWN	APVD
	A	INITIAL RELEASE	04MAY2015	DL	CW
	A1	REVISED PER ECR-18-004096	16MAR2018	RG	CW
	B	ECR-20-007782	24NOV2020	BS	CW




NOTES:  
 1. TECHNICAL CHARACTERISTICS:  
 BODY MATERIAL: DIE CAST ZINC ALLOY  
 SURFACE TREATMENT: POWDER-COATED, GRAY OR RED  
 DEGREE OF PROTECTION: IP65 (MATED)

注释:  
 1. 技术参数:  
 主体材料: 锌合金  
 表面处理: 粉末喷涂, 灰色 或 红色  
 防护等级: IP65(配合)



T1737030111-000	H3A-MTGVB-PG11	RED RAL2004	PG11
T1739030111-000	H3A-MTGVB-PG11	GRAY	PG11
T1739030120-000	H3A-MTGVB-M20	GRAY	M20
ASSEMBLY PART NUMBER	ASSEMBLY PART DESCRIPTION	SURFACE COATED COLOR	PG/M

THIS DRAWING IS A CONTROLLED DOCUMENT.		DWN 04MAY2015 DAVID LI	 TE Connectivity NAME H3A-MTGVB-PG/M			
DIMENSIONS: mm		CHK 04MAY2015 CHRIS WANG				
TOLERANCES UNLESS OTHERWISE SPECIFIED:		APVD 04MAY2015 XU XIANG				
0 PLC ±- 1 PLC ±- 2 PLC ±- 3 PLC ±- 4 PLC ±- ANGLES ±-		PRODUCT SPEC 108-137012				
MATERIAL -		APPLICATION SPEC 114-137012	SIZE A3	CAGE CODE -	DRAWING NO C-T17390301XX000	RESTRICTED TO
FINISH -		WEIGHT -	SCALE 3:2		SHEET 1 OF 1	REV B
		CUSTOMER DRAWING				

单击下面可查看定价，库存，交付和生命周期等信息

[>>TE Connectivity\(泰科\)](#)