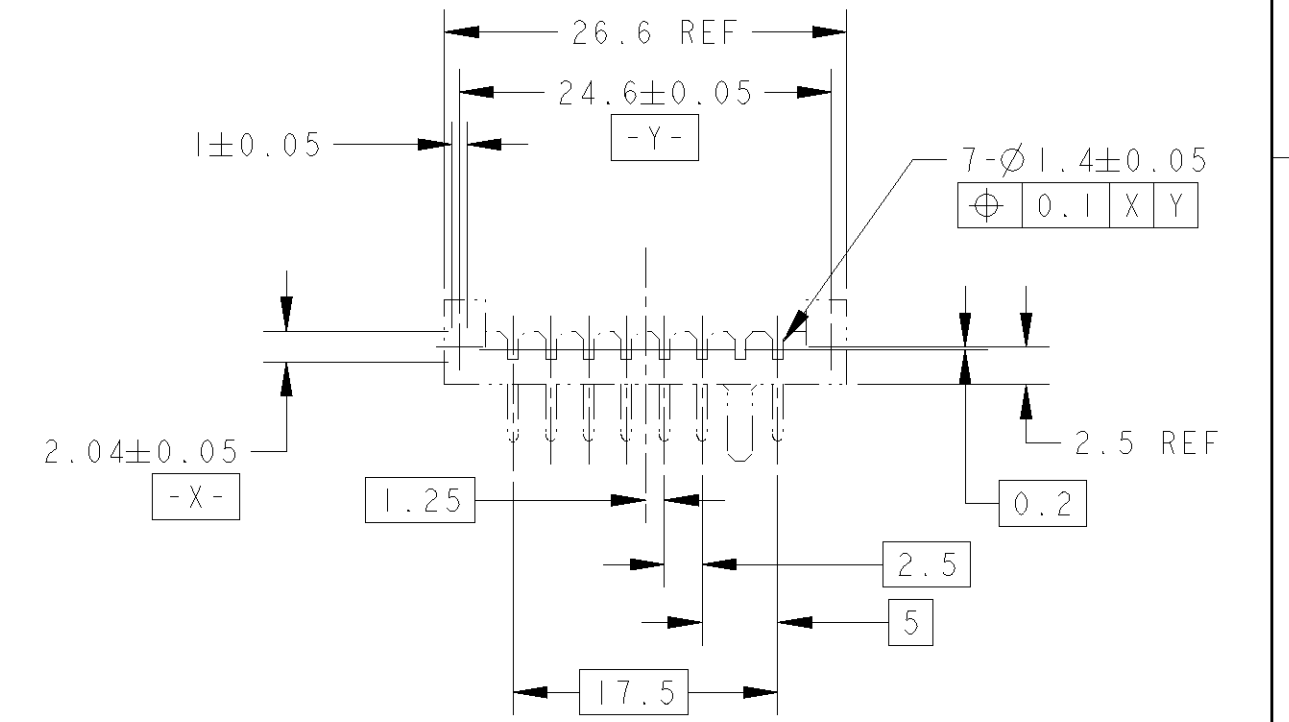
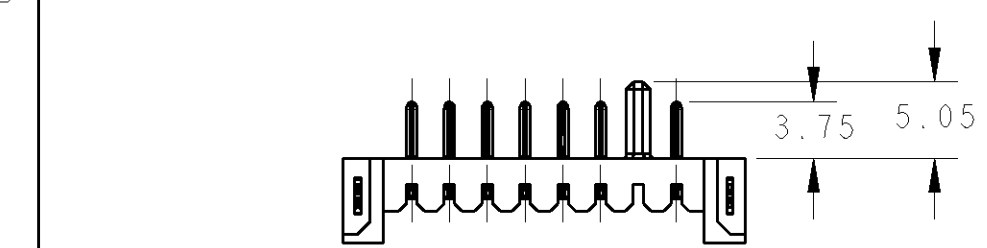
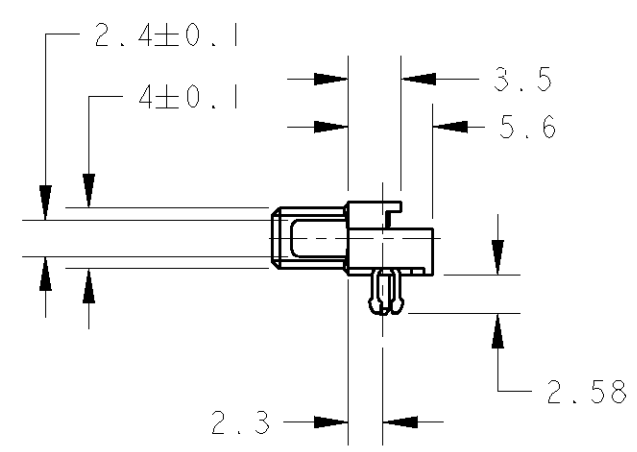
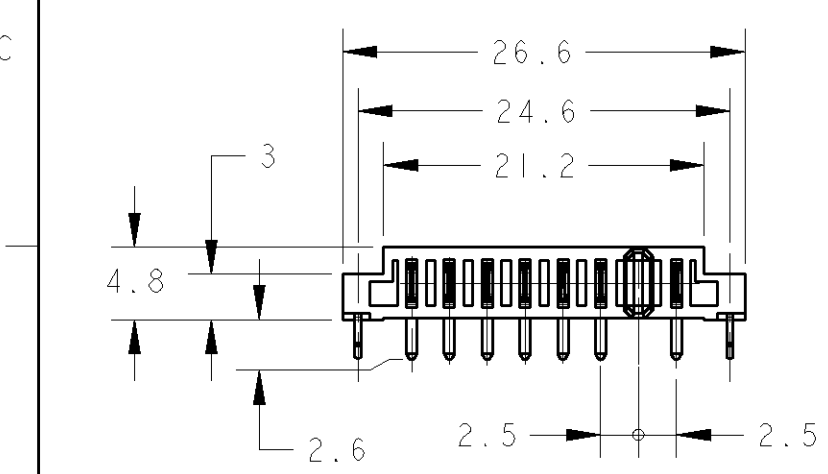
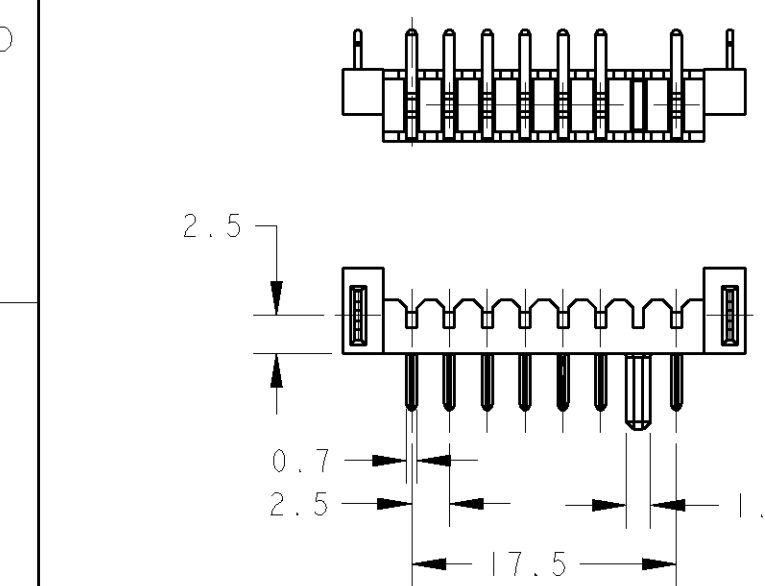


THIS DRAWING IS UNPUBLISHED. RELEASED FOR PUBLICATION 20
 © COPYRIGHT 20 BY TYCO ELECTRONICS CORPORATION. ALL RIGHTS RESERVED.

LOC	DIST	REVISIONS					
		P	LTR	DESCRIPTION	DATE	DWN	APVD
J	-	A		RELEASED	21 JUN07	T.K	K.I



REFERENCE P.C. BOARD LAYOUT
 P.C. BOARD THK 1.6 NOMINAL
 (VIEW FROM CONNECTOR MOUNTING SIDE)

- 1 MATERIAL
 HOUSING: THERMOPLASTIC RESIN, UL94V-0, BLACK
 CONTACT: COPPER ALLOY
 RETENTION LEG: COPPER ALLOY
- 2 FINISH
 CONTACT: NICKEL ALL OVER UNDER PLATING
 GOLD PLATING 0.76μm MIN. AT CONTACT AREA
 GOLD FLASH PLATING 0.05~0.25μm AT LEAD AREA
 RETENTION LEG: NICKEL ALL OVER UNDER PLATING
 TIN PLATING

1981583-1: AS SHOWN

THIS DRAWING IS A CONTROLLED DOCUMENT FOR TYCO ELECTRONICS CORPORATION IT IS SUBJECT TO CHANGE AND THE CONTROLLING ENGINEERING ORGANIZATION SHOULD BE CONTACTED FOR THE LATEST REVISION.		DWN T.KATANO 21 JUN07 CHK K.IKEGAMI 21 JUN07 APVD K.IKEGAMI 21 JUN07		Tyco Electronics Corporation Kawasaki, Japan	
DIMENSIONS: 单位: 毫米 mm		TOLERANCES UNLESS OTHERWISE SPECIFIED: 一般公差 ±0.3 0-PLC ± 1-PLC ± 2-PLC ± 3-PLC ± 4-PLC ± ANGLES ±3°		NAME 名称 2.5mm PITCH BATTERY CONNECTOR PLUG ASSEMBLY 7POS.	
		PRODUCT SPEC 製品規格 108-5775		SIZE A3 CAGE CODE 00-779 DRAWING NO. 1981583	
MATERIAL 材料 1		FINISH 仕上 2		RESTRICTED TO -	
CUSTOMER DRAWING				SCALE 2:1 SHEET 1 OF 2 REV A	

4

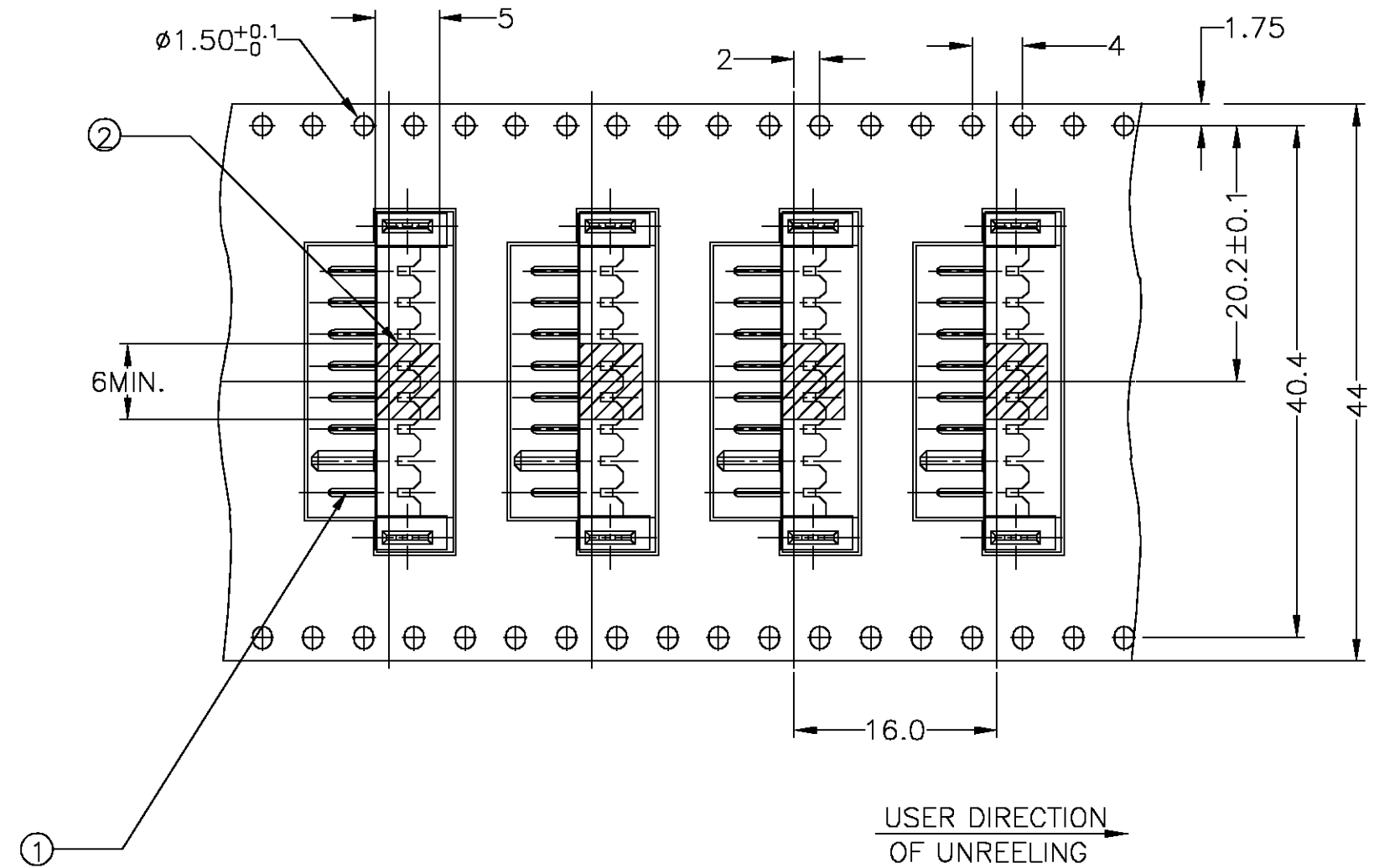
3

2

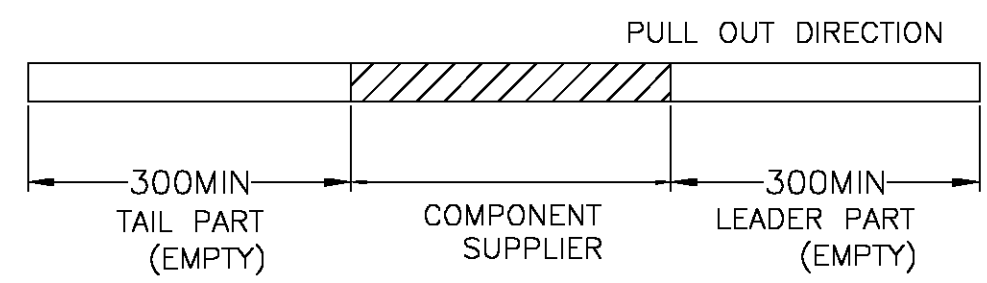
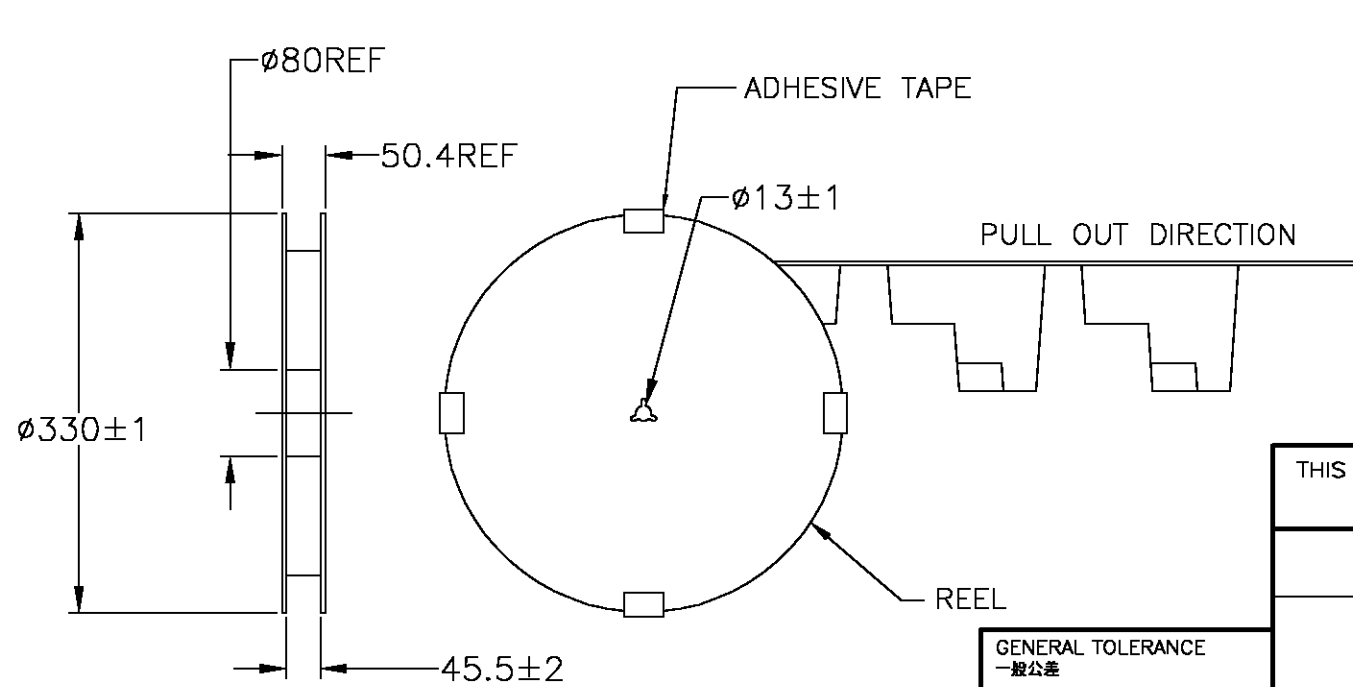
1

THIS DRAWING IS UNPUBLISHED. RELEASED FOR PUBLICATION MAY, 2007.
 © COPYRIGHT 2007 BY TYCO ELECTRONICS CORPORATION. ALL RIGHTS RESERVED.

LOC	DIST	REVISIONS					
J		P	LTR	DESCRIPTION	DATE	DWN	APVD
		-		SEE SHEET 1	-	-	-



3. 500PCS/REEL
 4. PEELING RESISTANCE: 0.1 TO 0.7N
 (PEELING SPEED : 300mm/MINUTES)



1	KAPTON TAPE 6x5	②
1	PLUG ASSY 7P	①
QTY	NAME	ITEM NO.

THIS DRAWING IS A CONTROLLED DOCUMENT.

DWN	T.KATANO	21JUN07
CHK	K.IKEGAMI	21JUN07
APVD	K.IKEGAMI	21JUN07
PRODUCT SPEC	製品規格	
APPLICATION SPEC	取付適用規格	
WEIGHT		

Tyco Electronics Corporation
Kawasaki, Japan

2.5mm PITCH BATTERY CONNECTOR
PLUG ASSEMBLY 7POS.

SIZE	CAGE CODE	DRAWING NO	RESTRICTED TO
A3	00779	1981583	-

CUSTOMER DRAWING

SCALE 尺度 NON SHEET 2 OF 2 REV A

GENERAL TOLERANCE
 一般公差

10 ≥ : ±0.2
 30 ≥ > 10 : ±0.25
 100 ≥ > 30 : ±0.3
 ANGLES: ±3'

单击下面可查看定价，库存，交付和生命周期等信息

[>>TE Connectivity\(泰科\)](#)