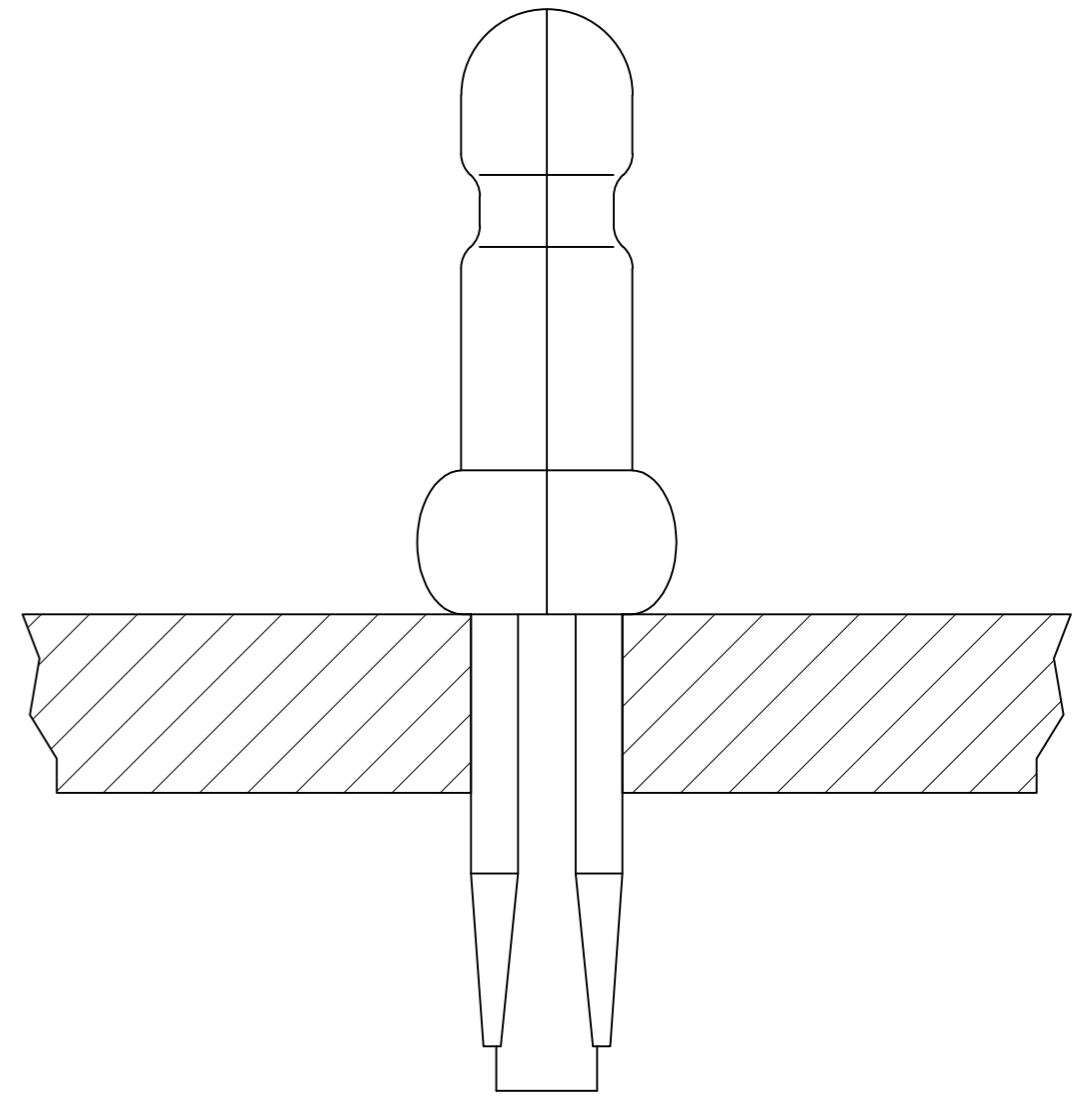
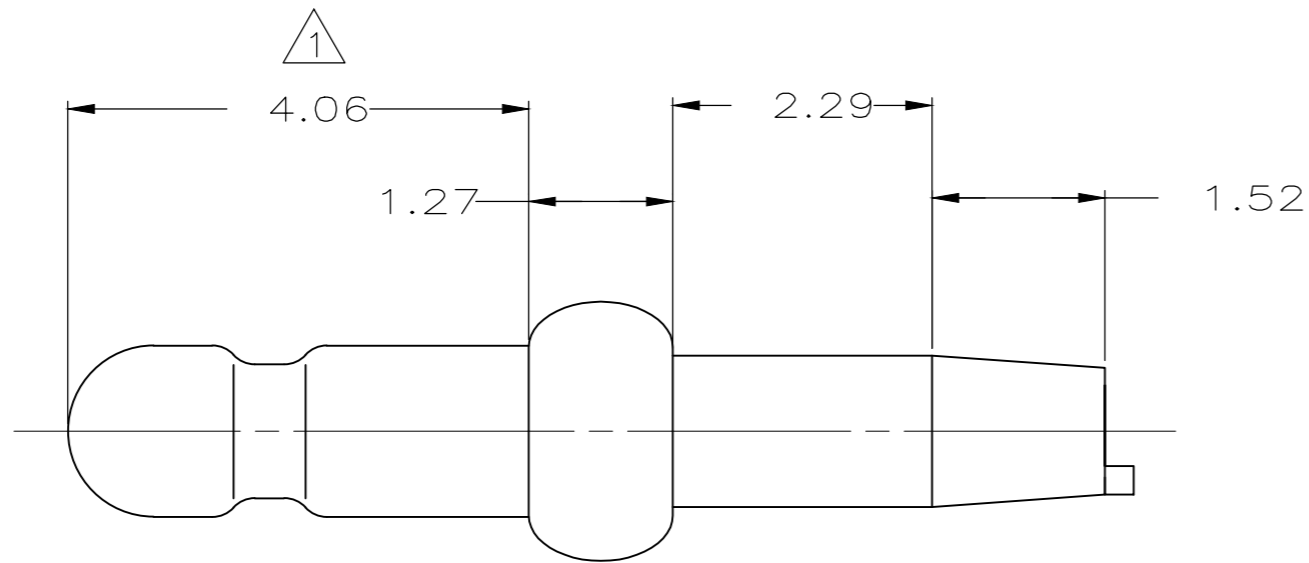
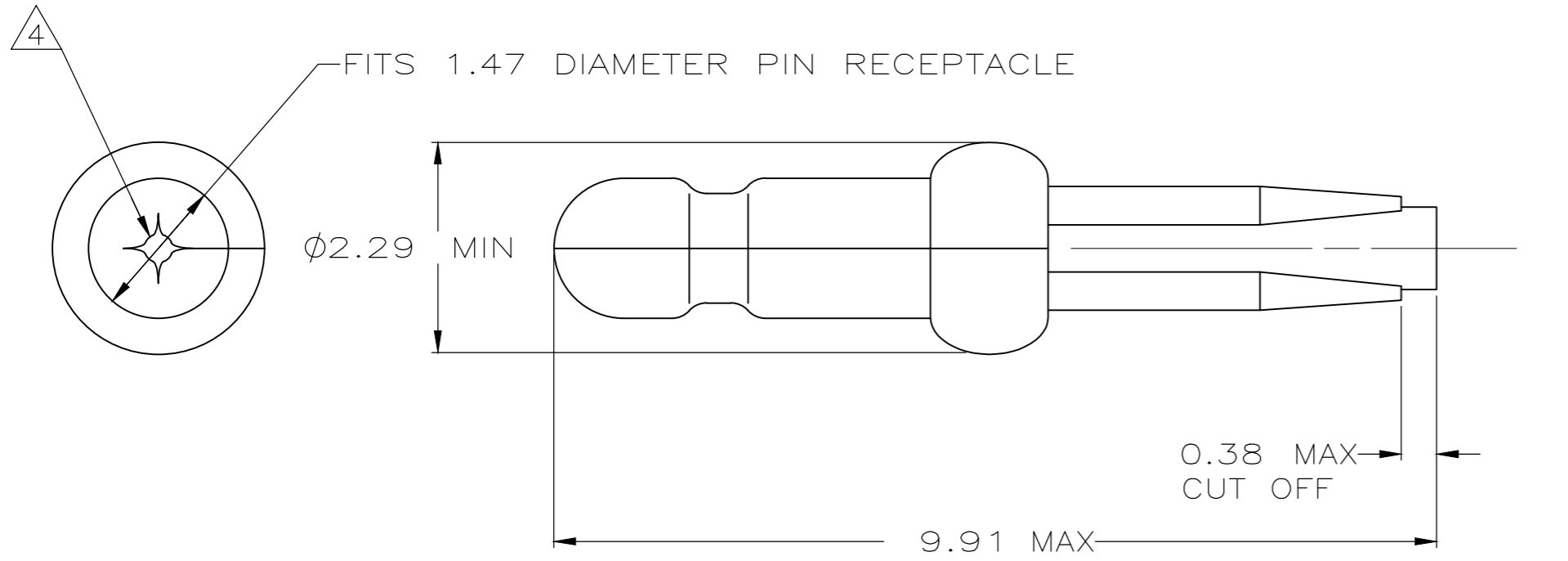


THIS DRAWING IS UNPUBLISHED. RELEASED FOR PUBLICATION
 © COPYRIGHT - By - ALL RIGHTS RESERVED.

REVISIONS					
P	LTR	DESCRIPTION	DATE	DWN	APVD
AJ4		REVISED PER ECR-19-008948	12MAY2020	J.P	D.Z

- 1. 0.00076 MIN GOLD PLATING IN THIS AREA WITH 0.00381 MIN MATTE TIN LEAD ON THE REMAINDER, BOTH OVER 0.00127 MIN NICKEL UNDERPLATE.
- 2. FITS 1.17 - 1.27 DIAMETER HOLE IN A 1.57 OR 2.36 PRINTED CIRCUIT BOARD.
- 3. PARTS TO COMPLY WITH AMP SOLDERABILITY SPECIFICATION 109-11-3.
- 4. 0.05 - 0.25 DIAMETER OPENING REQUIRED IN TIP OF PIN.
- 5. APPLICATOR FEED: 8.00 - 8.26
- 6. 0.00076 MIN GOLD PLATING IN THIS AREA WITH 0.00381 MIN MATTE TIN ON THE REMAINDER, BOTH OVER 0.00127 MIN NICKEL UNDERPLATE.



SUPERSEDED BY 3-60803-1

6	3-60803-1
PRE TIN	60803-2
6	60803-1
FINISH	PART NUMBER

0.13	.005	1.27	.050	2.36	.093	-	-
0.05	.002	1.17	.046	2.29	.090	9.91	.390
0.00381	.000150	1.12	.044	1.57	.062	8.26	.325
0.00127	.000050	0.38	.015	1.52	.060	8.00	.315
0.00076	.000030	0.25	.010	1.47	.058	4.06	.160
MM	IN	MM	IN	MM	IN	MM	IN

CONVERSION TABLE

METRIC

THIS DRAWING IS A CONTROLLED DOCUMENT.		DWN	T. BECK	7-28-97	 TE Connectivity	
DIMENSIONS: mm		CHK	R. SWING	7-28-97		
TOLERANCES UNLESS OTHERWISE SPECIFIED:		APVD	A. BEDDICK	9-10-97		
0 PLC ± - 1 PLC ± - 2 PLC ± 0.13 3 PLC ± - 4 PLC ± - ANGLES ± -		PRODUCT SPEC	108-1025			
MATERIAL: 0.25 PH BRZ		FINISH	SEE TABLE		APPLICATION SPEC	114-1008
		WEIGHT	0.000000		SIZE	A2
		CUSTOMER DRAWING			CAGE CODE	00779
		SCALE	15:1		DRAWING NO	C-60803
		SHEET	1 of 1		RESTRICTED TO	-
		REV	AJ4			

单击下面可查看定价，库存，交付和生命周期等信息

[>>TE Connectivity\(泰科\)](#)