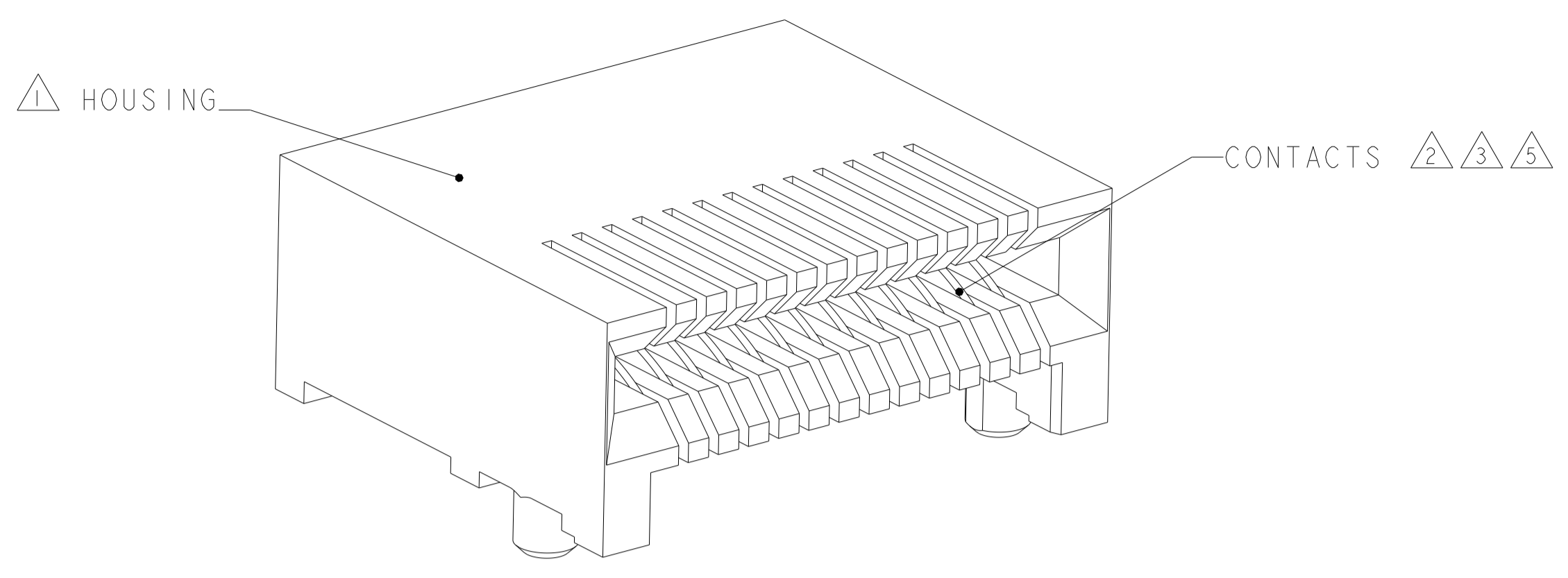
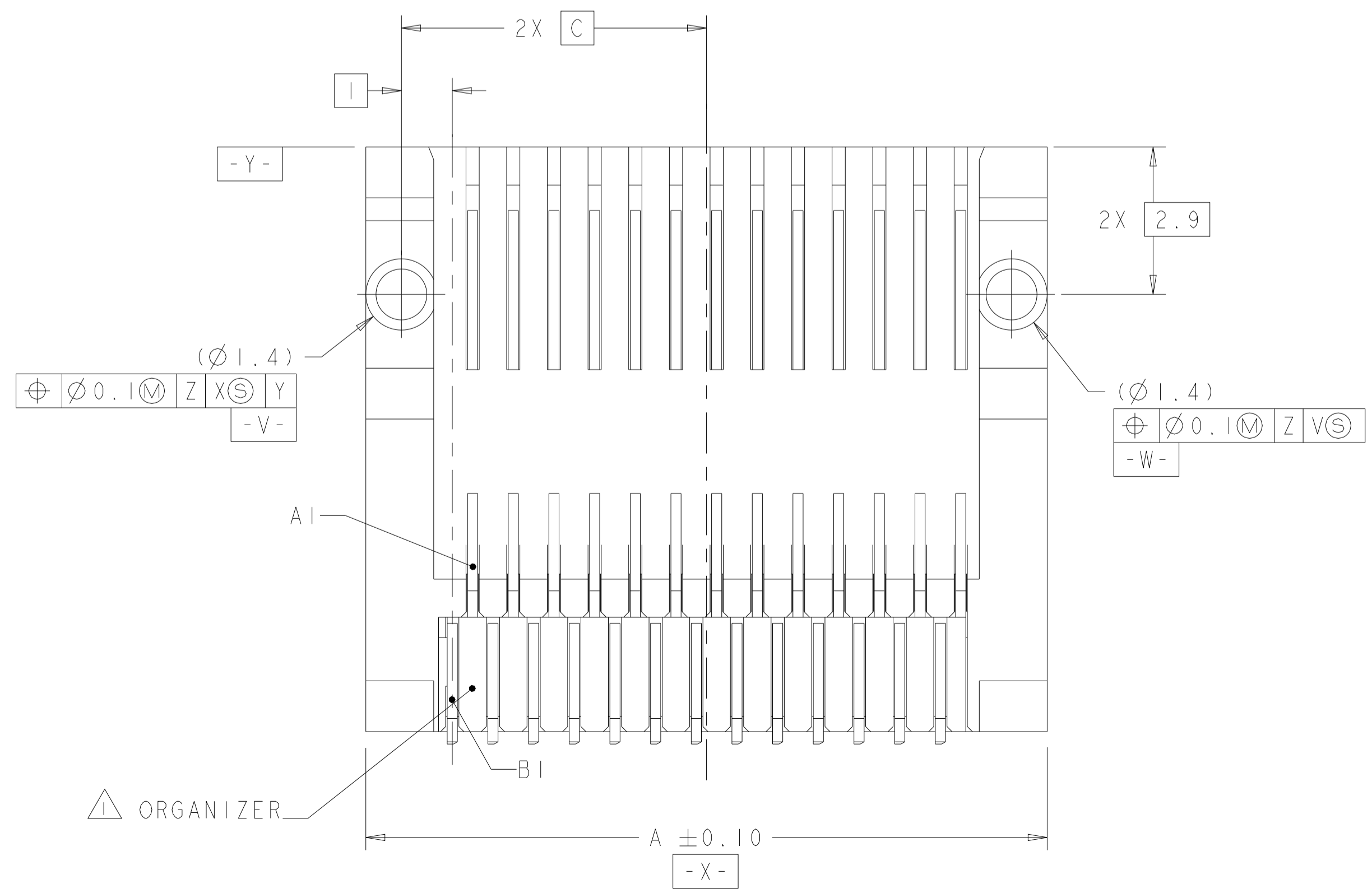
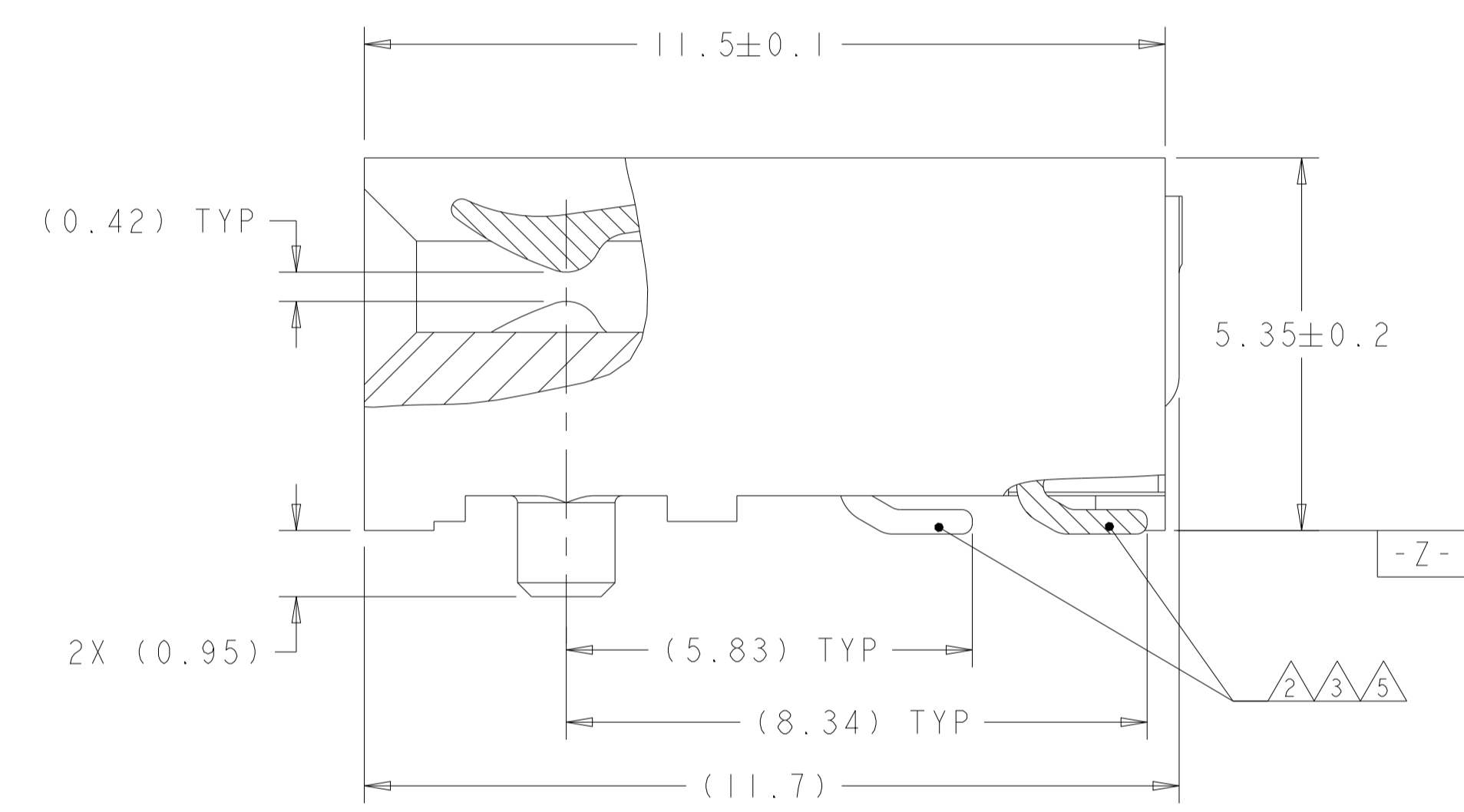
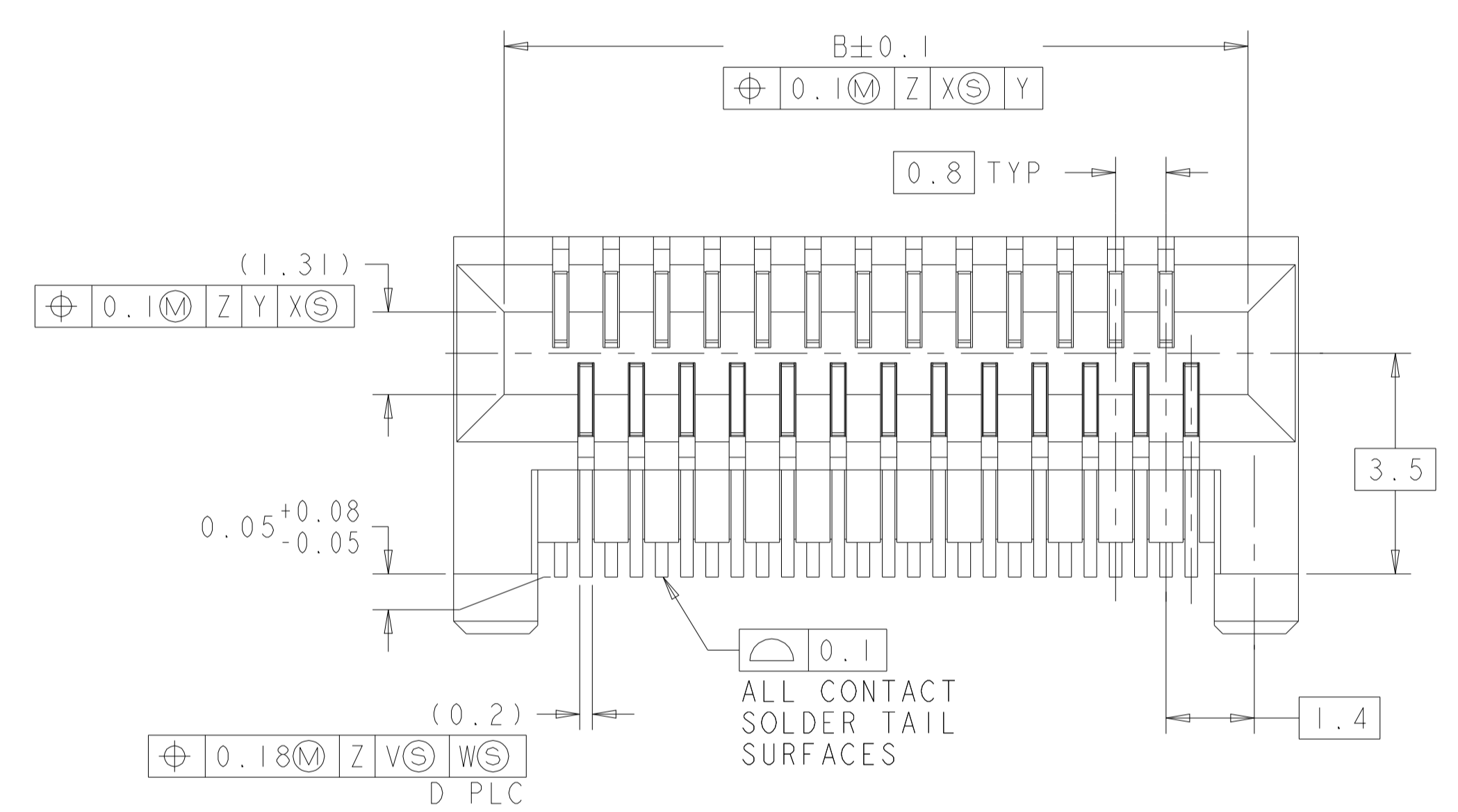


LOC		DIST		REVISIONS				
GP	00	P	LTN	DESCRIPTION	DATE	DWN	APVD	
		A2		REVISED PER ECO-11-004835	11MAR2011	RK	HMR	
		A3		REVISED PER ECO-14-010818	27OCT2016	RG	SH	
		B		REVISED PER ECO-17-017261	02MAY2018	TX	SH	
		C1		REVISED PER ECN-21-111504	03AUG2021	TM	DZ	



26 POSITION RECEPTACLE
SCALE 9:1

- 1 MATERIAL: LCP, BLACK.
- 2 MATERIAL: PHOSPHOR BRONZE PER ASTM B 103.
- 3 FINISH: 0.76µm MIN GOLD PLATE PER ASTM B 488, APPLIES TO INTERFACE AREA AND 2.03µm MIN TIN PLATE SOLDER TAILS, ALL OVER 3.81µm MIN NICKEL PLATE PER QQ-N-290.
- 4 DATUM AND BASIC DIMENSION ESTABLISHED BY CUSTOMER.
- 5 FINISH: 0.38µm MIN GOLD PLATE PER ASTM B 488, APPLIES TO INTERFACE AREA AND 2.03µm MIN TIN PLATE SOLDER TAILS, ALL OVER 3.81µm MIN NICKEL PLATE PER QQ-N-290.



FINISH	PACKAGING	POSN						PART NUMBER
		E	D	C	B	A	POSN	
5	TAPE AND REEL	16.80	38	8.40	16.60	18.20	38	1-1761987-8
		16.00	36	8.00	15.80	17.40	36	1-1761987-7
		12.00	26	6.00	11.80	13.40	26	1-1761987-6
		28.80	68	14.80	28.60	30.20	68	1-1761987-5
		16.80	38	8.40	16.60	18.10	38	1-1761987-4
	TUBE	23.20	54	11.60	23.00	24.60	54	1-1761987-3
		21.60	50	10.80	21.40	23.00	50	1-1761987-2
		16.00	36	8.00	15.80	17.40	36	1-1761987-1
		12.00	26	6.00	11.80	13.40	26	1-1761987-0
		3	TAPE AND REEL	16.80	38	8.40	16.60	18.20
16.00	36			8.00	15.80	17.40	36	1761987-8
12.00	26			6.00	11.80	13.40	26	1761987-7
28.80	68			14.80	28.60	30.20	68	1761987-6
16.80	38			8.40	16.60	18.20	38	1761987-5
TUBE	23.20		54	11.60	23.00	24.60	54	1761987-4
	21.60		50	10.80	21.40	23.00	50	1761987-3
	16.00		36	8.00	15.80	17.40	36	1761987-2
	12.00		26	6.00	11.80	13.40	26	1761987-1

THIS DRAWING IS A CONTROLLED DOCUMENT. DWN M.E. CONHEP 28JUN2005
 CHK R.R. HENRY 28JUN2005
 APVD R.R. HENRY 28JUN2005

DIMENSIONS: mm
 TOLERANCES UNLESS OTHERWISE SPECIFIED:
 0 PLC ±0.13
 1 PLC ±0.13
 2 PLC ±0.13
 3 PLC ±0.13
 4 PLC ±0.13
 ANGLES ±°

MATERIAL SEE NOTES FINISH SEE TABLE

WEIGHT -
 CUSTOMER DRAWING

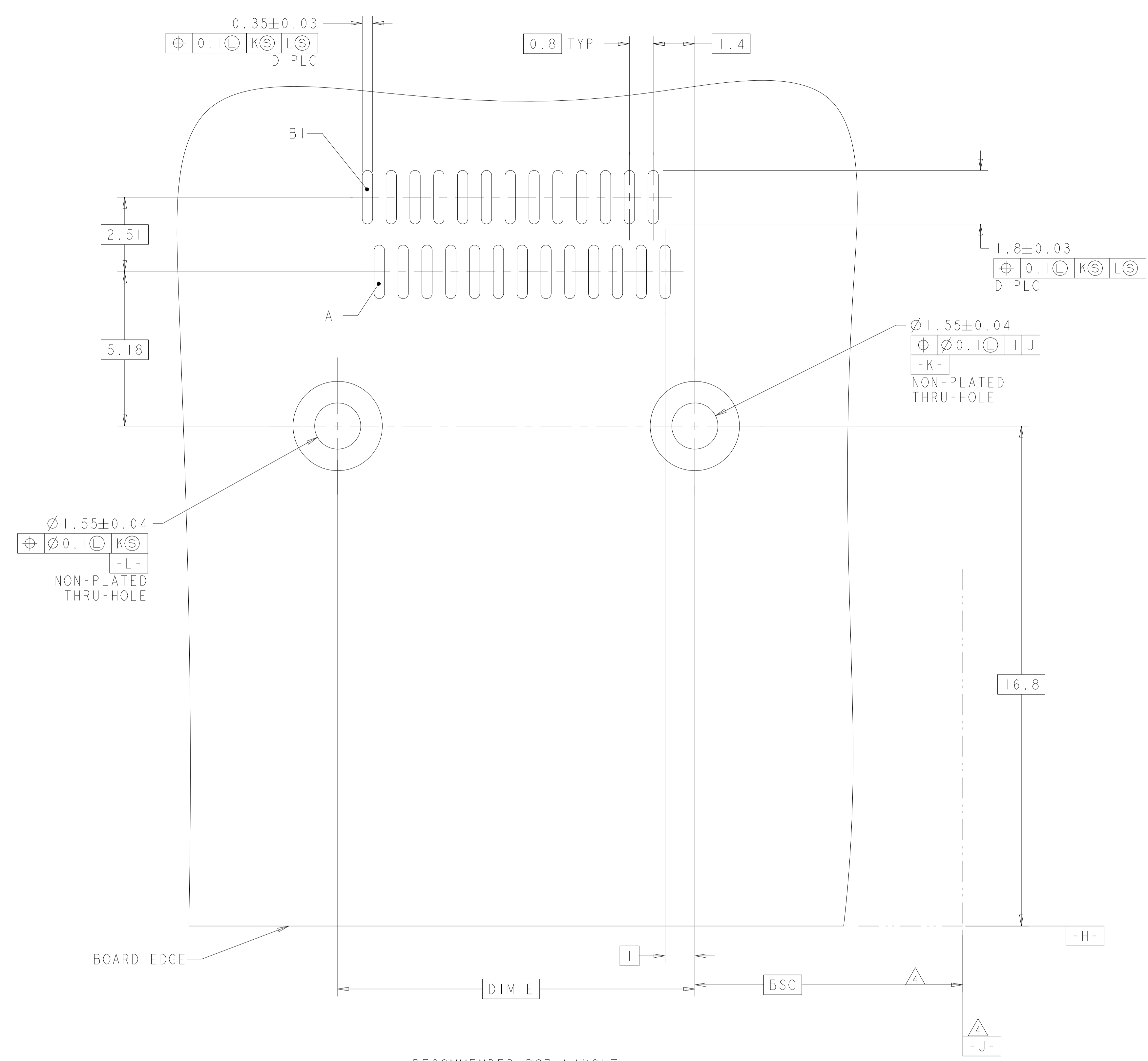
NAME EVERCLEAR Mini-SAS RECEPTACLE CONNECTOR ASSEMBLY, RIGHT ANGLE, SURFACE MOUNT
 PRODUCT SPEC 108-2234
 APPLICATION SPEC

SIZE CAGE CODE DRAWING NO RESTRICTED TO
 A1 00779 C=1761987

SCALE 12:1 SHEET 1 OF 2 REV C1

TE Connectivity

LOC	DIST	REVISIONS					
GP	00	P	LTN	DESCRIPTION	DATE	DMN	APVD
		-		SEE SHEET 1		-	-



RECOMMENDED PCB LAYOUT

THIS DRAWING IS A CONTROLLED DOCUMENT.		DMN M. E. CONNER 28JUN2005	
DIMENSIONS: mm		CHK R. R. HENRY 28JUN2005	
		APVD R. R. HENRY 28JUN2005	
TOLERANCES UNLESS OTHERWISE SPECIFIED:		NAME	EVERCLEAR Mini-SAS RECEPTACLE CONNECTOR ASSEMBLY, RIGHT ANGLE, SURFACE MOUNT
0 PLC ±0.13		PRODUCT SPEC	108-2234
1 PLC ±0.13		APPLICATION SPEC	
2 PLC ±		SIZE	A100779C=1761987
3 PLC ±		CAGE CODE	
4 PLC ±		DRAWING NO	
ANGLES FINISH		RESTRICTED TO	
MATERIAL SEE NOTES		WEIGHT	
SEE TABLE		CUSTOMER DRAWING	
		SCALE	12:1
		SHEET	2 OF 2
		REV	C1

单击下面可查看定价，库存，交付和生命周期等信息

[>>TE Connectivity\(泰科\)](#)