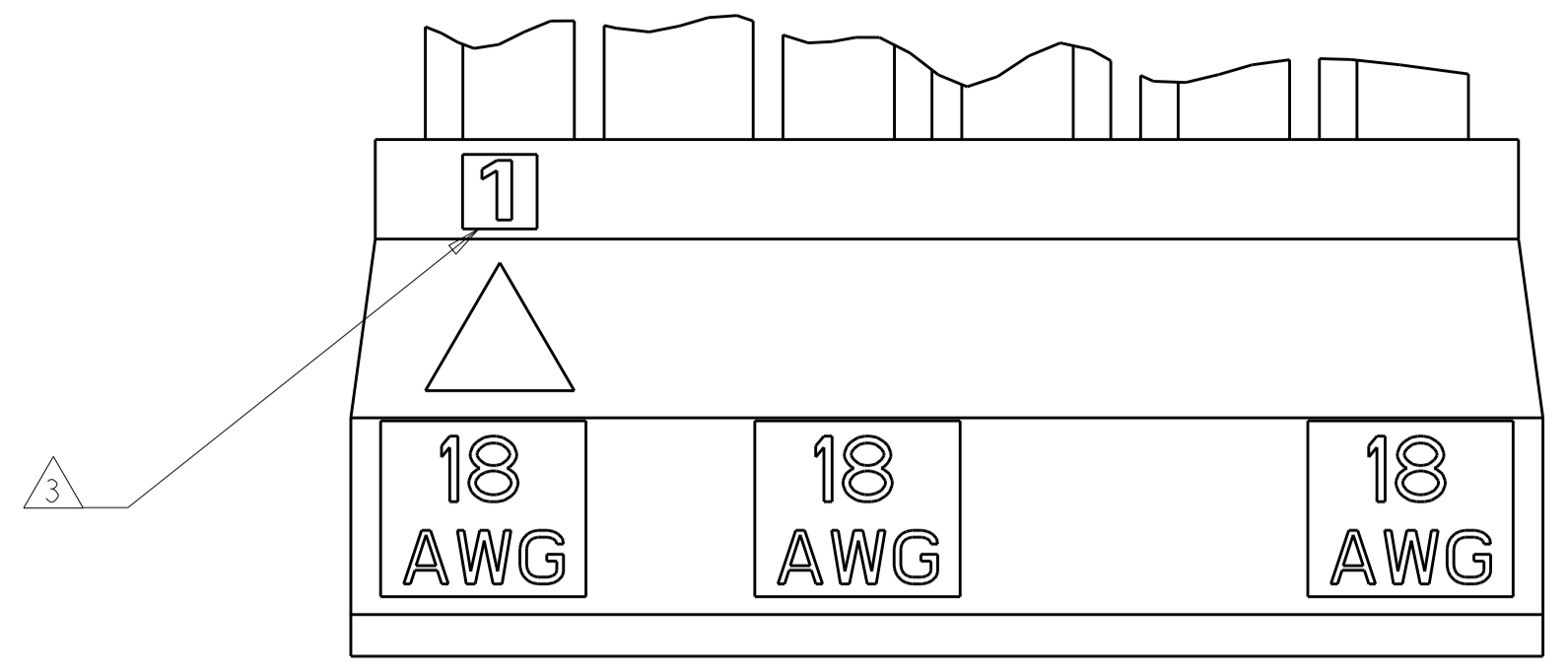
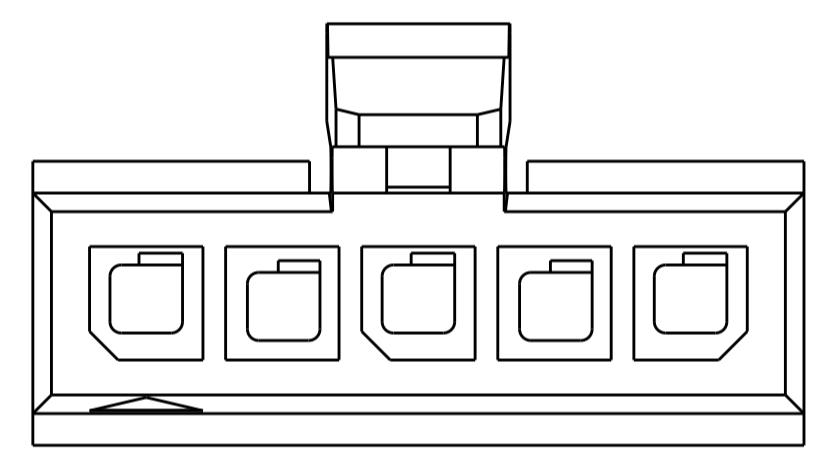
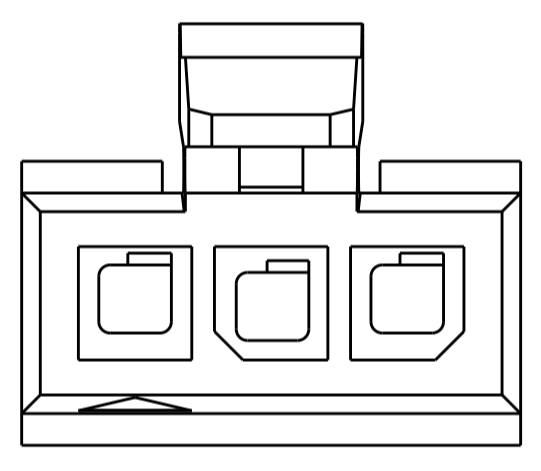
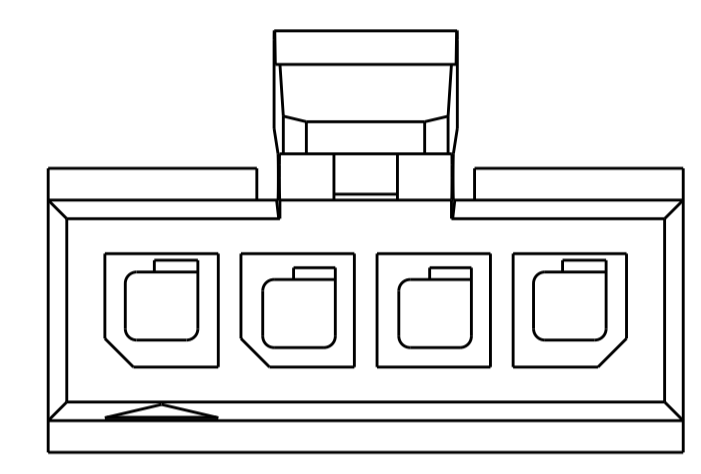
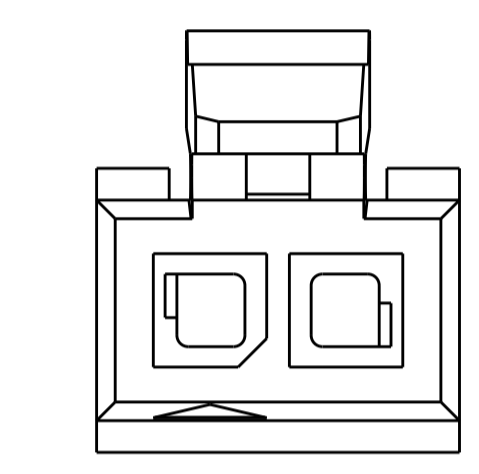
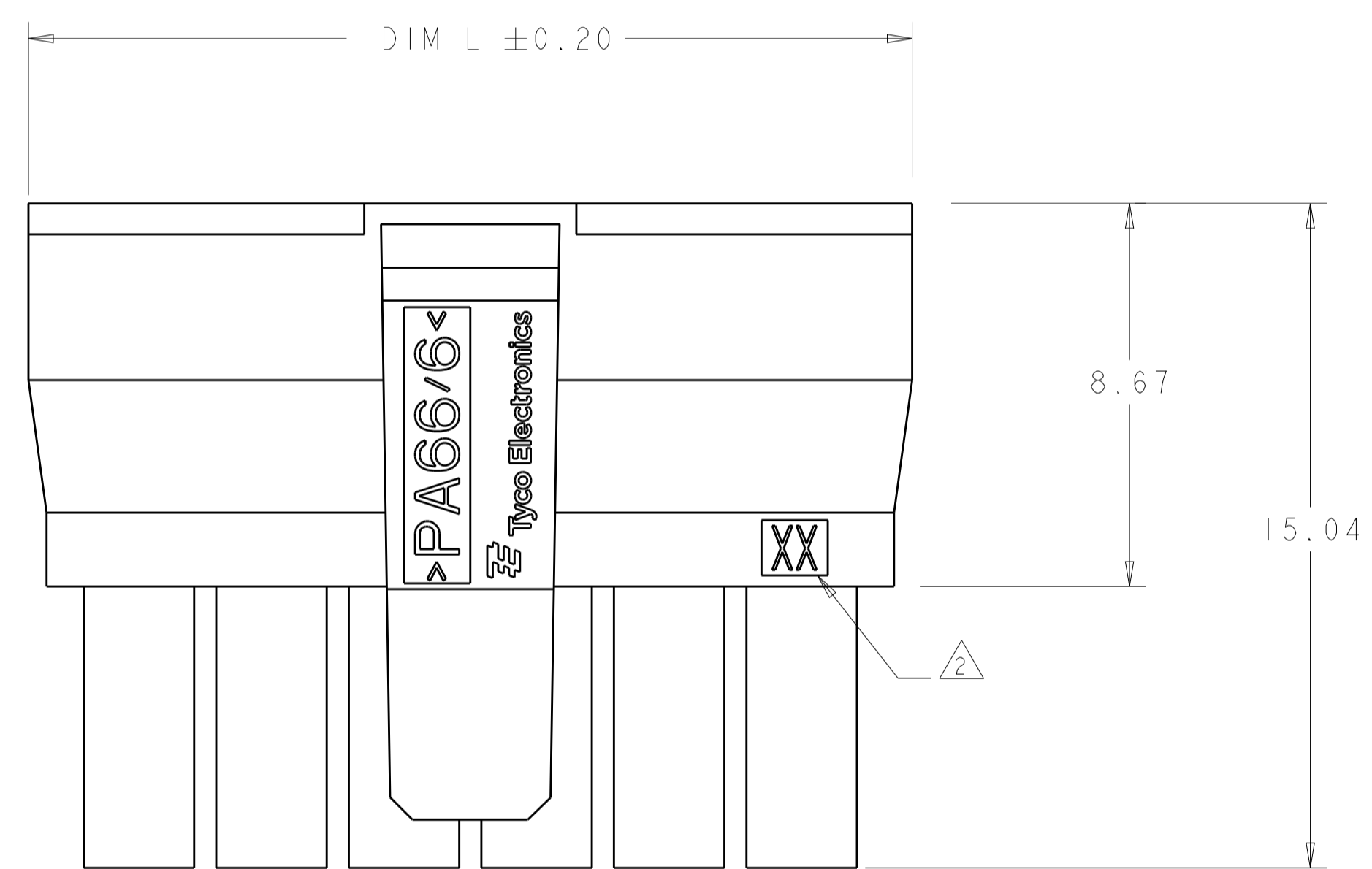
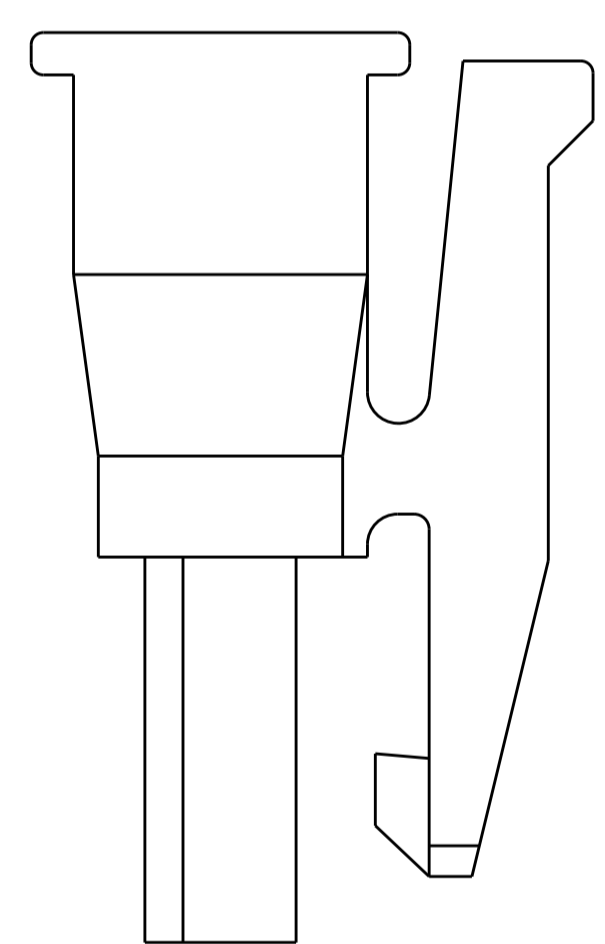
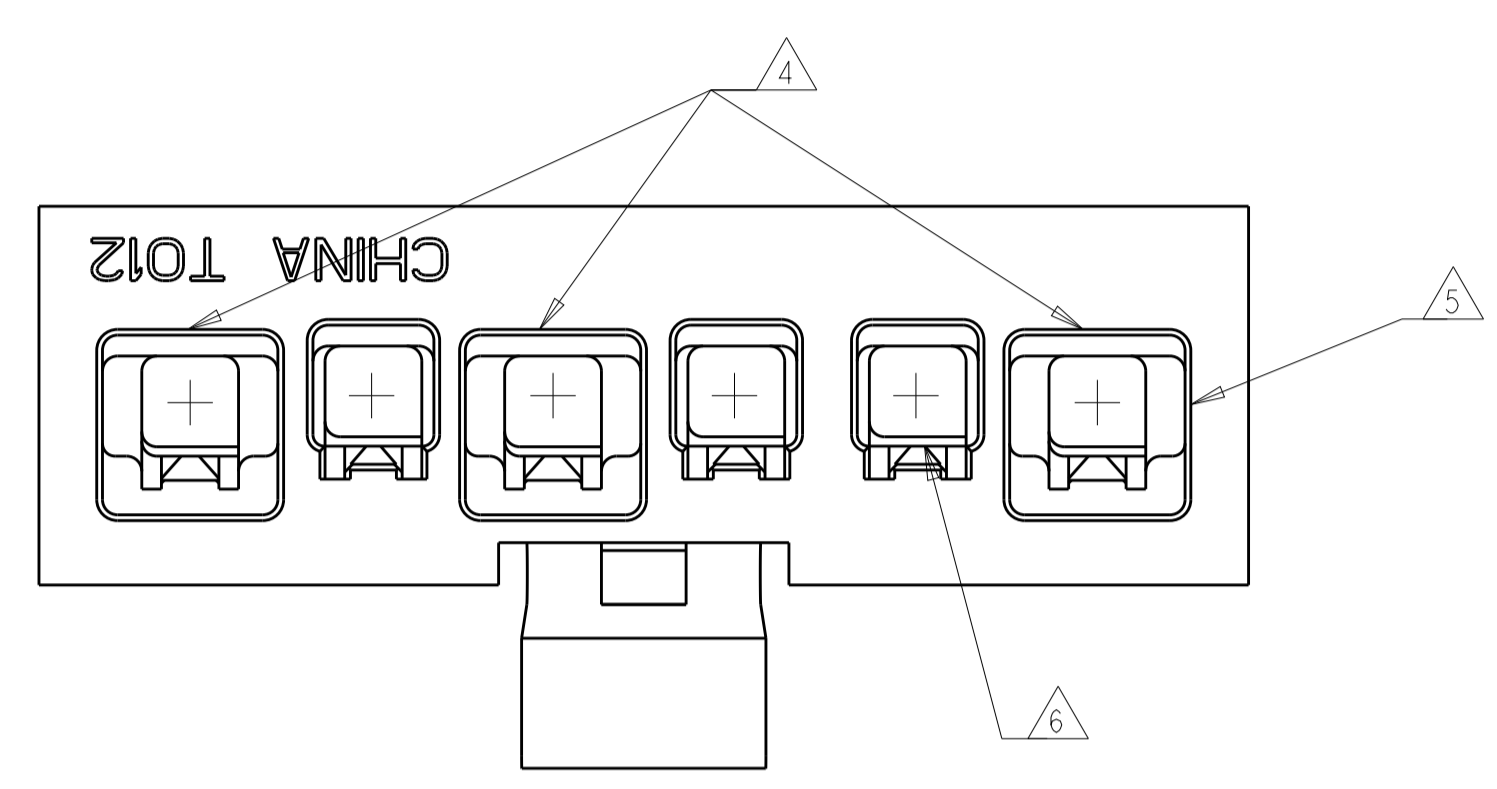
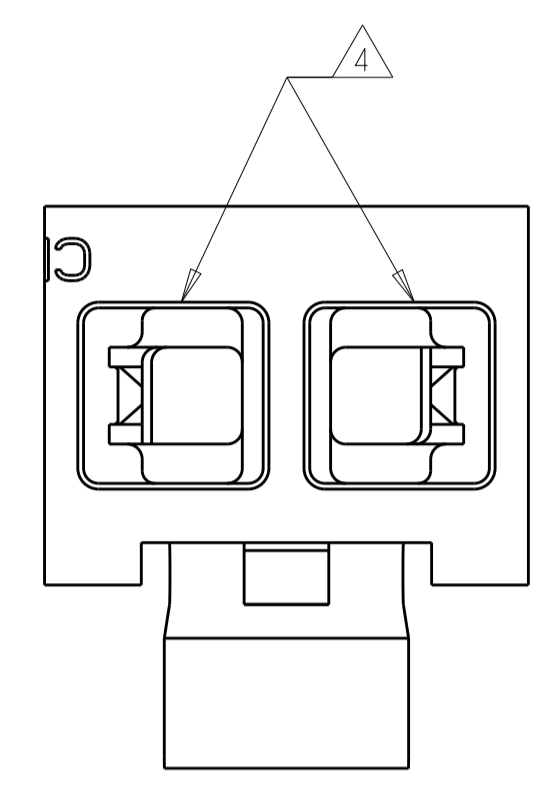


LOC		DIST		REVISIONS			
CM	0	P.	LTM	DESCRIPTION	DATE	DWN	APVD
		B2		REVISED PER ECR 12-001158	19JAN12	JR	TM
		B3		ECO-19-004882	11APR19	AP	WS



- 1 MATERIAL: NYLON, UL94V-0, COLOR- (SEE TABLE).
- 2 LAST CIRCUIT IDENTIFIER LOCATED IN APPROX AREA SHOWN.
- 3 CIRCUIT 1 ID LOCATED IN APPROX AREA SHOWN.
- 4 THE TWO END CAVITIES ARE ENLARGED TO ALLOW INSERTION OF 18 AWG RECEPTACLE CONTACT. FOR 2 CIRCUIT HOUSINGS THESE CAVITIES WILL BE ROTATED 90° FROM SHOWN POSITION AND 180° WITH RESPECT TO EACH OTHER. FOR 5 AND 6 CIRCUIT HOUSINGS CIRCUIT 3 IS ALSO ENLARGED TO ALLOW INSERTION OF 18 AWG RECEPTACLE CONTACT.
- 5 FOR WIRE INSULATION 2.80 MAX OD
- 6 FOR WIRE INSULATION 1.90 MAX OD



2 CIRCUIT

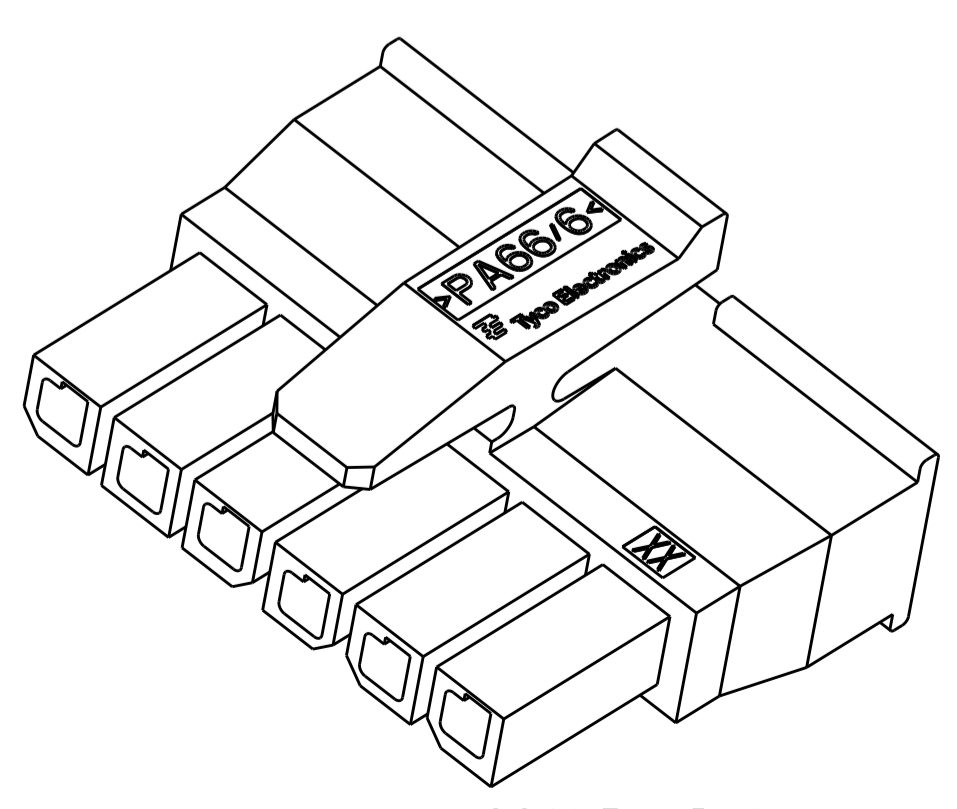
4 CIRCUIT

3 CIRCUIT

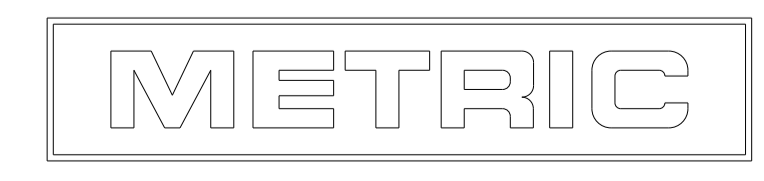
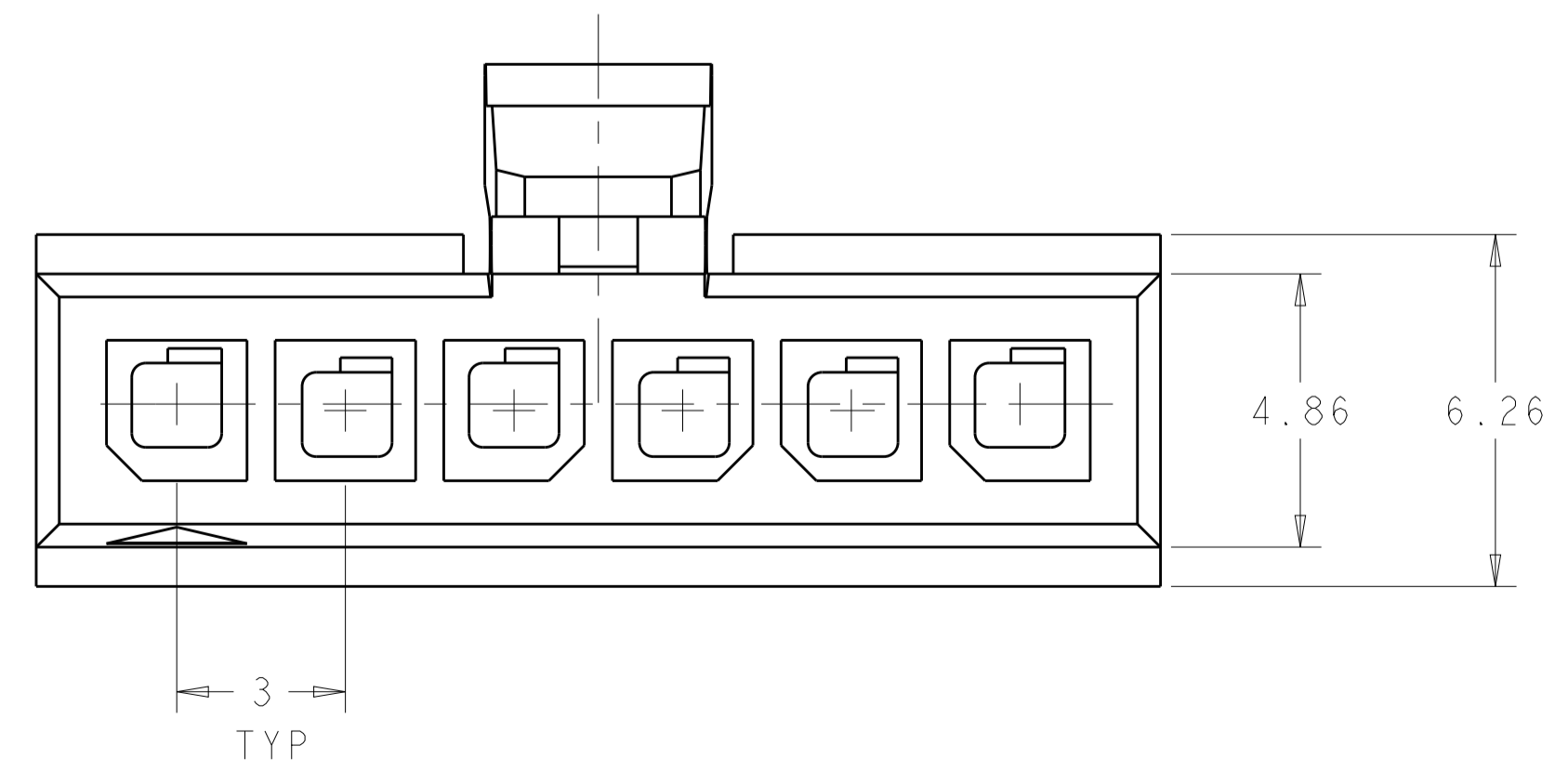
5 CIRCUIT

KEYING CONFIGURATIONS  
SCALE 6:1

VOLUME mm <sup>3</sup>	DIM L	NO. OF POS.	COLOR	PART NUMBER
868.4	20.00	6	NATURAL	I-2008571-6
665.41	17.00	5	NATURAL	I-2008571-5
557.63	14.00	4	NATURAL	I-2008571-4
451.11	11.00	3	NATURAL	I-2008571-3
344.6	8.00	2	NATURAL	I-2008571-2
868.4	20.00	6	BLACK	2008571-6
665.41	17.00	5	BLACK	2008571-5
557.63	14.00	4	BLACK	2008571-4
451.11	11.00	3	BLACK	2008571-3
344.6	8.00	2	BLACK	2008571-2



SCALE 5:1



DIMENSIONS: mm 0 PLC ±0.5 1 PLC ±0.13 3 PLC ±0.13 4 PLC ±0.13 ANGLES ±°		TOLERANCES UNLESS OTHERWISE SPECIFIED: FINISH:		DWN: R. BROWN 18MAR2008 CHK: M. McCARTHY 18MAR2008 APVD: M. McCARTHY 18MAR2008 PRODUCT SPEC: 108-1836 APPLICATION SPEC: 114-13000 WEIGHT:		Tyco Electronics Harrisburg, PA 17105-3608 NAME: RECEPTACLE HOUSING, 2 TO 6 POSN, SINGLE ROW, MICRO MATE-N-LOK(TM), TOP LATCH, 18 AWG SIZE: CAGE CODE DRAWING NO: A100779C=2008571 RESTRICTED TO:	
MATERIAL:				CUSTOMER DRAWING		SCALE: 8:1 SHEET 1 OF 1 REV: B3	

单击下面可查看定价，库存，交付和生命周期等信息

[>>TE Connectivity\(泰科\)](#)