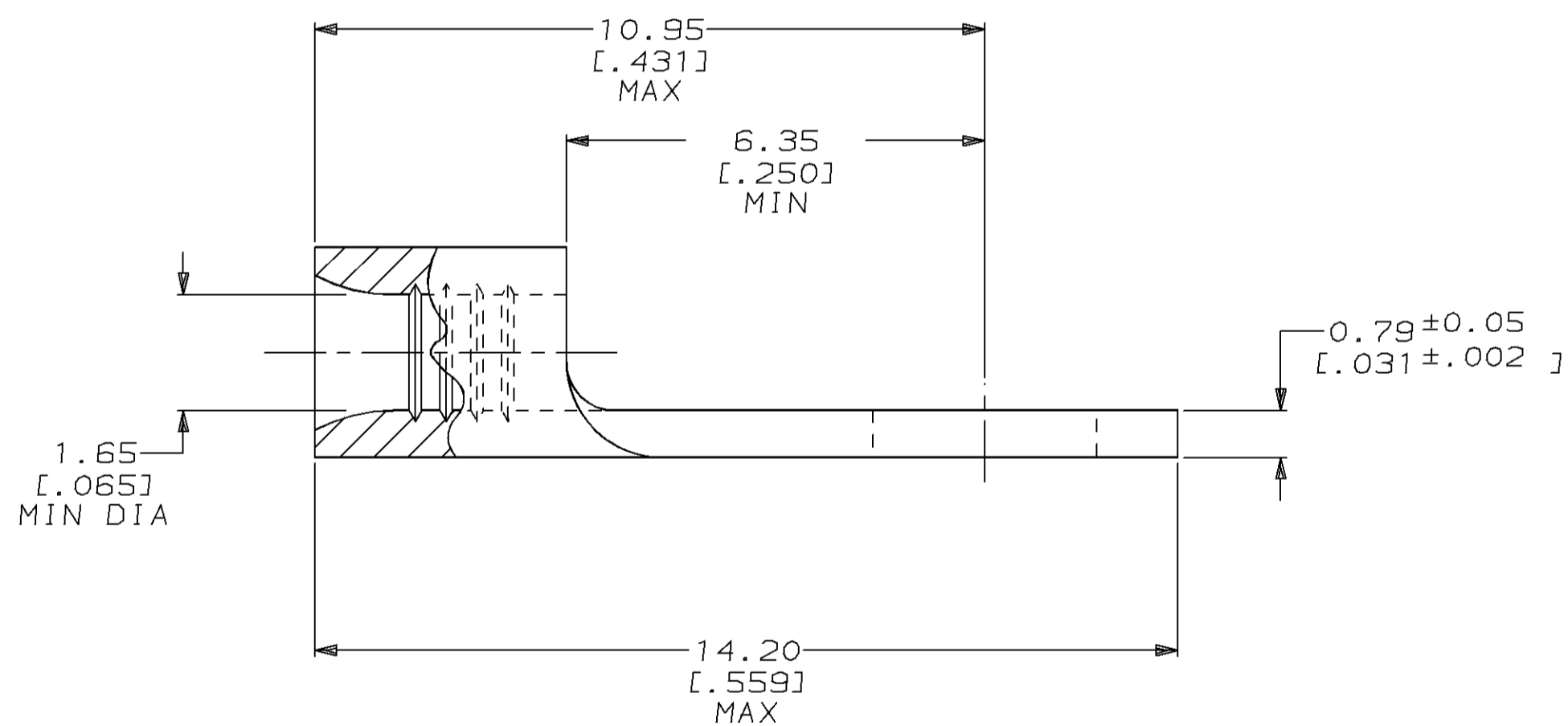
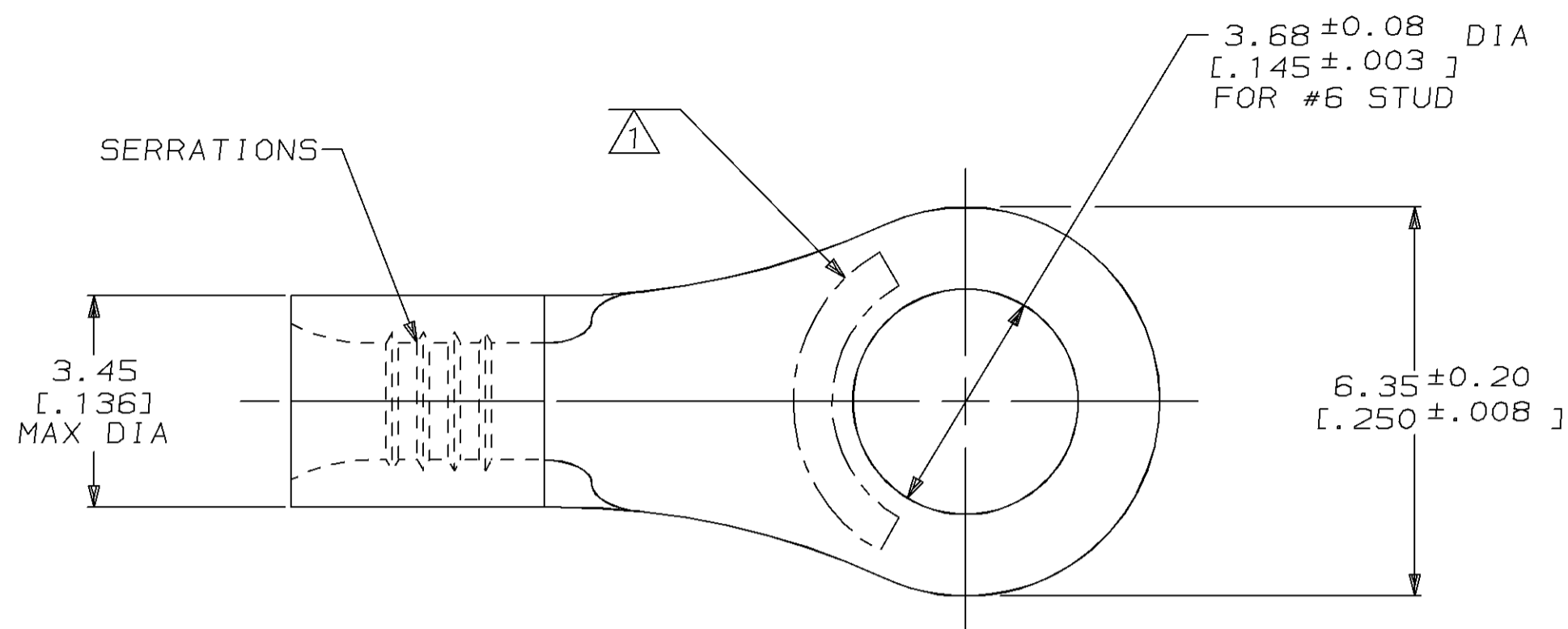


THIS DRAWING IS UNPUBLISHED. RELEASED FOR PUBLICATION
 BY AMP INCORPORATED. ALL RIGHTS RESERVED.

LOC	DIST	REVISIONS					
		P	LTR	DESCRIPTION	DATE	DWN	APVD
G	14	0	-		08MAY97	DKS	MJS



AMP WIRE RANGE	E13288 Listed
22-16 AWG STRANDED	22-16 AWG STRANDED
LR7189 Certified	MILITARY P/N AND CLASS
NOT CERTIFIED	NOT APPLICABLE

- ① STAMP AMP [] APPROX AS SHOWN
22-16 TERMINALS ARE STAMPED 22-18 IN
ACCORDANCE WITH MILITARY SPEC MIL-T-7928
COMMERCIAL WIRE RANGE IS 22-16
SEE TABLE BELOW FOR STAMPING DESIGNATION
- ② TIN PL 0.00254 [.000100] MIN THK
PER MIL-T-10727
- ③ TIN-LEAD PL 0.00254 [.000100] MIN THK
PER MIL-T-10727
- ④ GOLD PL 0.00127 [.000050] MIN THK
PER MIL-G-45204 OVER NICKEL PL
0.00076 [.000030] MIN THK PER QQ-N-290
- ⑤ NICKEL PL 0.00762 [.000300] MIN THK
PER QQ-N-290

22-18*	①-	2-51873-1
18*	②-	1-51873-9
20*	③-	1-51873-8
22-18*	④-	51873-9
22-18*	⑤-	51873-8
18*	⑥-	51873-4
20*	⑦-	51873-3
22*	⑧-	51873-2
22-18*	⑨-	51873-1
STAMPING	FINISH	AMP PART NUMBER

**AMP INCORPORATED
CUSTOMER SERVICE SYSTEMS**

RECOMMENDED OPERATING TEMPERATURE:
170°C MAX

FOR ADDITIONAL PRODUCT
INFORMATION OR COPIES OF DRAWINGS
AND TECHNICAL DOCUMENTS

PRODUCT INFORMATION CENTER
1-800-522-6752

VOLTAGE RATING:
NOT APPLICABLE

FOR APPLICATION
TOOLING INFORMATION

TOOLING ASSISTANCE CENTER
1-800-722-1111

WIRE CROSS SECTIONAL AREA RANGE:
0.26-1.65mm² [509-3,260] CIR MILS
STRANDED

FOR ORDER ENTRY

1-800-526-5142

THIS DRAWING IS A CONTROLLED DOCUMENT.

DWN DK SCHRUM 08MAY97
CHK MJ SPICER 08MAY97
APVD JL MECKLEY 08MAY97

AMP AMP Incorporated
Harrisburg, PA 17105-3608

DIMENSIONS: mm [INCHES]	TOLERANCES UNLESS OTHERWISE SPECIFIED:
	0 PLC ±-
	1 PLC ±-
	2 PLC ±0.20 [.008]
	3 PLC ±-
4 PLC ±-	ANGLES ±-
MATERIAL COPPER PER ASTM B-152 ANNEALED	FINISH SEE TABLE

PRODUCT SPEC	-
APPLICATION SPEC	-
WEIGHT	-
CUSTOMER DRAWING	

NAME TERMINAL, RING TONGUE, BUDGET		
SIZE A2	CAGE CODE 00779	DRAWING NO C-51873
SCALE 10:1	SHEET 1 OF 1	REV 0

单击下面可查看定价，库存，交付和生命周期等信息

[>>TE Connectivity\(泰科\)](#)