

THIS DRAWING IS UNPUBLISHED. RELEASED FOR PUBLICATION

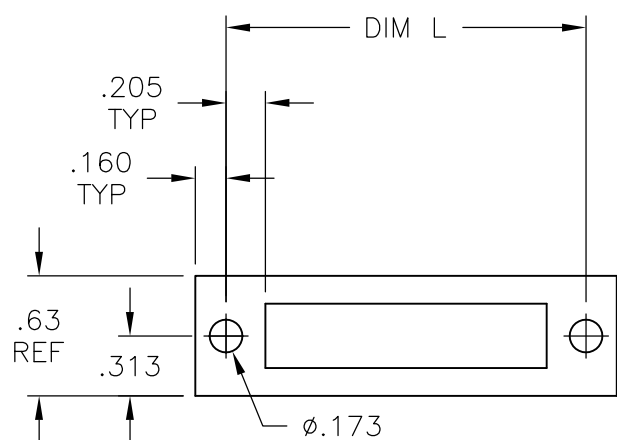
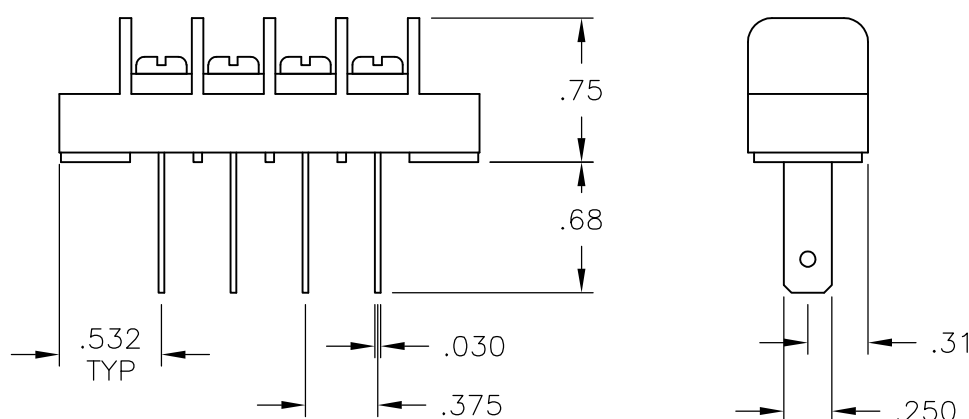
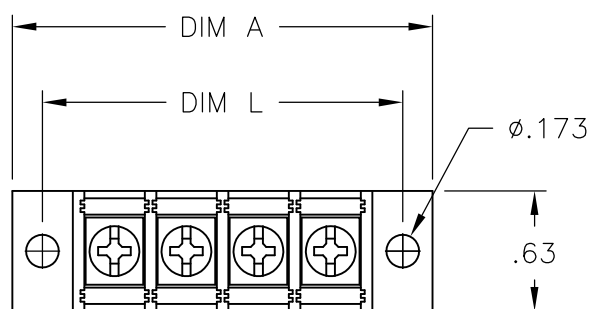
© COPYRIGHT BY TYCO ELECTRONICS CORPORATION. ALL RIGHTS RESERVED.

| | | | | | | | |
|-----|------|-----------|-----|---------------------------|---------|-----|------|
| LOC | DIST | REVISIONS | | | | | |
| FT | 0 | P | LTR | DESCRIPTION | DATE | DWN | APVD |
| | | | B | REVISED PER ECO-10-013614 | 13OCT10 | HMR | CR |

MATERIAL:
 HOUSING: THERMOPLASTIC, UL94V-0, BLACK.
 TERMINALS: BRIGHT TIN OVER COPPER ALLOY.
 SCREWS: 6-32, STEEL, ZINC PLATING W/ CLEAR CHROMATE.

MECHANICAL:
 PITCH: .375"
 OPERATING TEMP.: 105°C MAX

ELECTRICAL:
 RATED CURRENT: 20A.
 OPERATING VOLTAGE: 300V.
 WIRE RANGE: 12-22 AWG.



RECOMMENDED PANEL LAYOUT

| | | | | |
|-------|-------|-----------|----------------|-------------|
| 9.000 | 9.314 | 23 | JC6-Q207-23 | 2-1546841-3 |
| 8.625 | 8.939 | 22 | JC6-Q207-22 | 2-1546841-2 |
| 8.250 | 8.564 | 21 | JC6-Q207-21 | 2-1546841-1 |
| 7.875 | 8.189 | 20 | JC6-Q207-20 | 2-1546841-0 |
| 7.500 | 7.814 | 19 | JC6-Q207-19 | 1-1546841-9 |
| 7.125 | 7.439 | 18 | JC6-Q207-18 | 1-1546841-8 |
| 6.750 | 7.064 | 17 | JC6-Q207-17 | 1-1546841-7 |
| 6.375 | 6.689 | 16 | JC6-Q207-16 | 1-1546841-6 |
| 6.000 | 6.314 | 15 | JC6-Q207-15 | 1-1546841-5 |
| 5.625 | 5.939 | 14 | JC6-Q207-14 | 1-1546841-4 |
| 5.250 | 5.564 | 13 | JC6-Q207-13 | 1-1546841-3 |
| 4.875 | 5.189 | 12 | JC6-Q207-12 | 4-1437665-9 |
| 4.500 | 4.814 | 11 | JC6-Q207-11 | 1-1546841-1 |
| 4.125 | 4.439 | 10 | JC6-Q207-10 | 1-1546841-0 |
| 3.750 | 4.064 | 9 | JC6-Q207-09 | 1546841-9 |
| 3.375 | 3.689 | 8 | JC6-Q207-08 | 1546841-8 |
| 3.000 | 3.314 | 7 | JC6-Q207-07 | 1546841-7 |
| 2.625 | 2.939 | 6 | JC6-Q207-06 | 1546841-6 |
| 2.250 | 2.564 | 5 | JC6-Q207-05 | 1546841-5 |
| 1.875 | 2.189 | 4 | JC6-Q207-04 | 4-1437665-8 |
| 1.500 | 1.814 | 3 | JC6-Q207-03 | 4-1437665-7 |
| 1.125 | 1.439 | 2 | JC6-Q207-02 | 1546841-2 |
| DIM L | DIM A | NO OF POS | CATALOG NUMBER | TE NUMBER |

| | | | | | | | |
|--|--|------------------|------------|----------------------|---|---------------|---------------|
| THIS DRAWING IS A CONTROLLED DOCUMENT. | | DWN | S SCHLEGEL | 10/23/06 | Tyco Electronics Corporation Harrisburg, PA 17105-3608 | | |
| DIMENSIONS: INCHES | | CHK | S. YODER | 10/23/06 | | | |
| TOLERANCES UNLESS OTHERWISE SPECIFIED: | | APVD | S. YODER | 10/23/06 | | | |
| 0 PLC ± - 1 PLC ± - 2 PLC ± .01 3 PLC ± .005 4 PLC ± - ANGLES ± - | | NAME | | JC6-Q207-XX ASSEMBLY | | | |
| MATERIAL | | PRODUCT SPEC | | SIZE | CAGE CODE | DRAWING NO | RESTRICTED TO |
| FINISH | | APPLICATION SPEC | | A3 00779 | | C-4-1437665-7 | - |
| - | | WEIGHT | | CUSTOMER DRAWING | | SCALE | SHEET |
| - | | - | | NTS | | 1 OF 1 | REV B |

单击下面可查看定价，库存，交付和生命周期等信息

[>>TE Connectivity\(泰科\)](#)