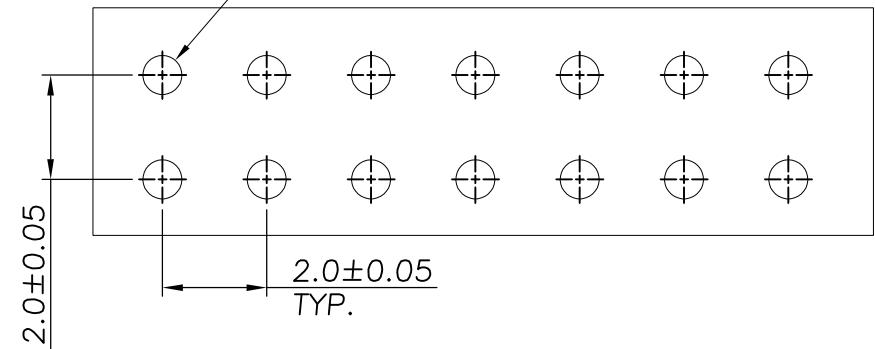
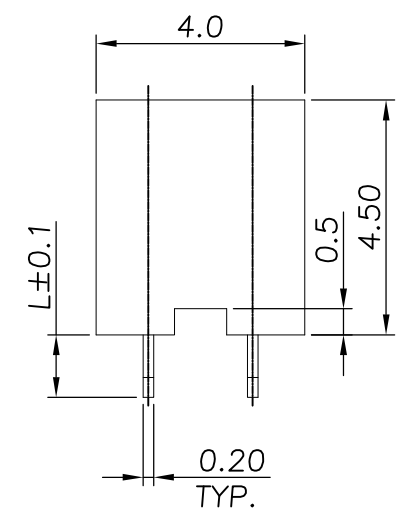
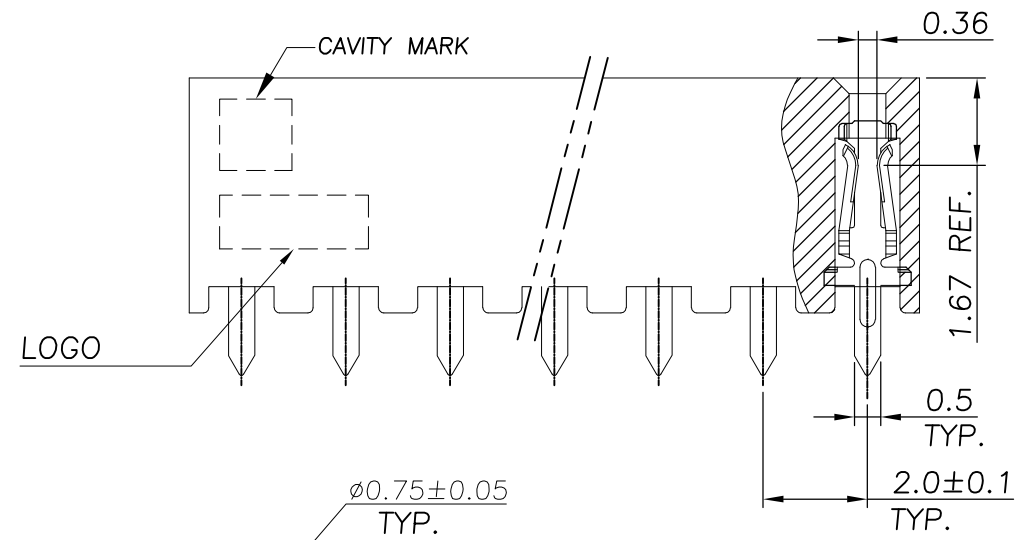
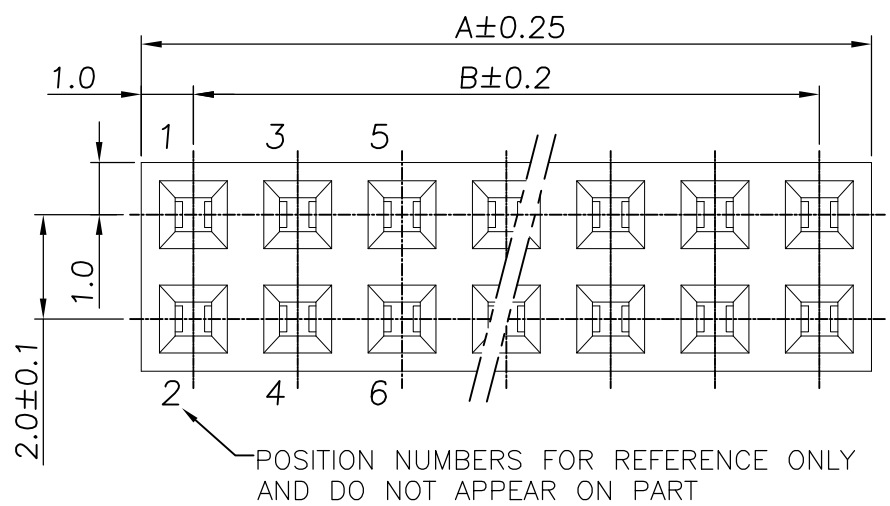
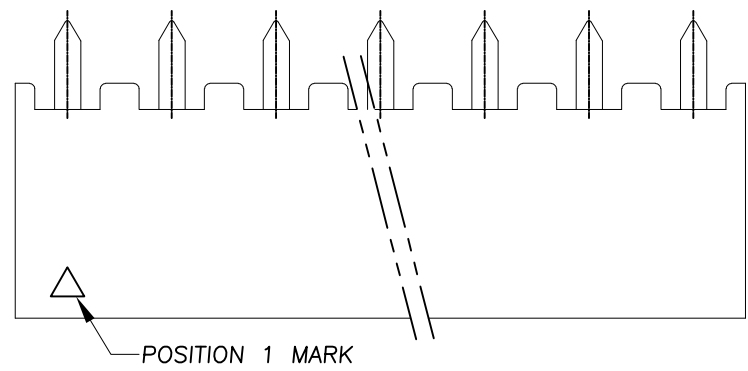


THIS DRAWING IS UNPUBLISHED
 © COPYRIGHT 2009 By -
 ALL RIGHTS RESERVED.

RELEASED FOR PUBLICATION
 MAR , 2006.

LOC	DIST	REVISIONS					
IR	-	P	LTR	DESCRIPTION	DATE	DWN	APVD
			A	REVISED PER ECO-11-018658	14SEP11	KH	JO

- NOTE:
- 1 MATERIAL :
 HOUSING : THERMOPLASTIC, UL94V-0, BLACK COLOR.
 CONTACT : PHOSPHOR BRASS, THICKNESS=0.20mm.
 - 2 FINISH:
 CONTACT : GOLD PLATED (SEE TABLE) ON CONTACT AREA
 80μ" MIN. MATTE TIN PLATED ON SOLDER TAILS,
 50μ" MIN. NICKEL UNDERPLATED ALL OVER
 - 3 APPLICATION :
 SOLDER TAIL LENGTH 2.6 FOR PCB THICKNESS 1.0 MAX.
 1.2 FOR PCB THICKNESS 0.3 MAX.
 - 4 WAVE SOLDER CAPABLE TO 265°C PER TE SPEC 109-202, CONDITION B
 - 5 QUALIFICATION TEST REPORT: 501-57197
 - 6 PRELIMINARY PART - NOT RELEASED FOR PRODUCTION.



RECOMMENDED PCB LAYOUT

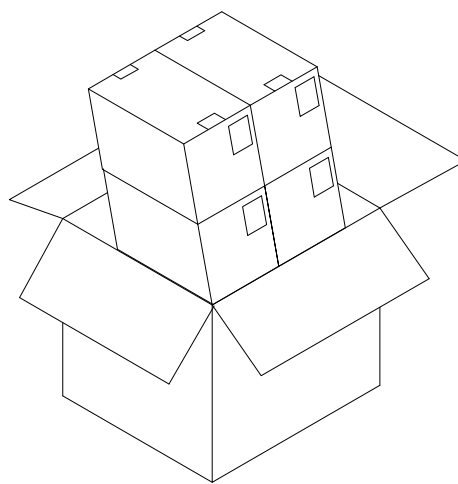
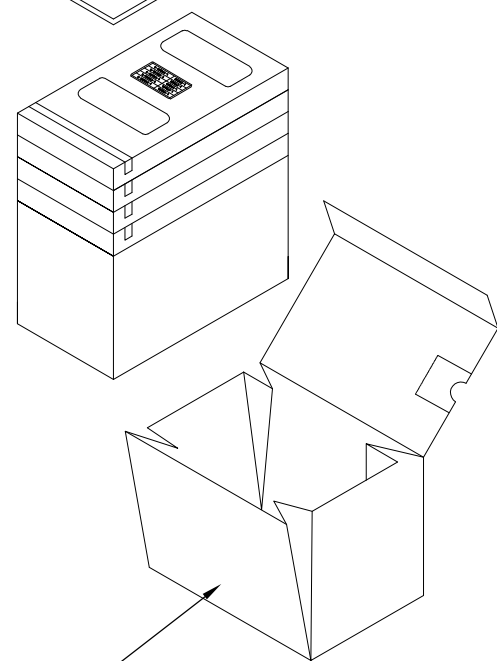
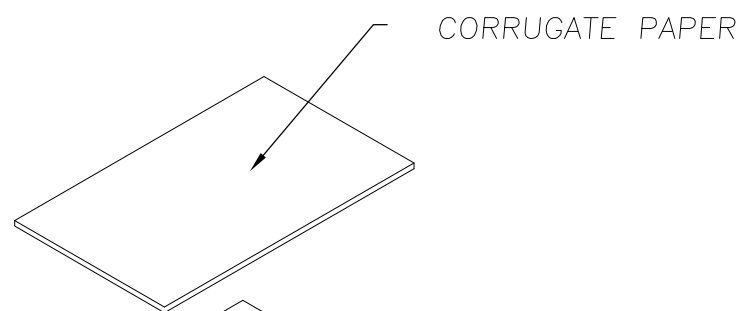
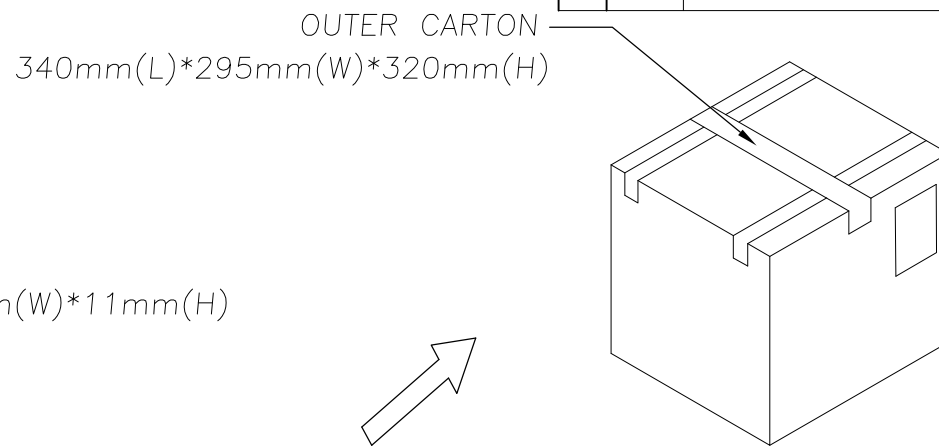
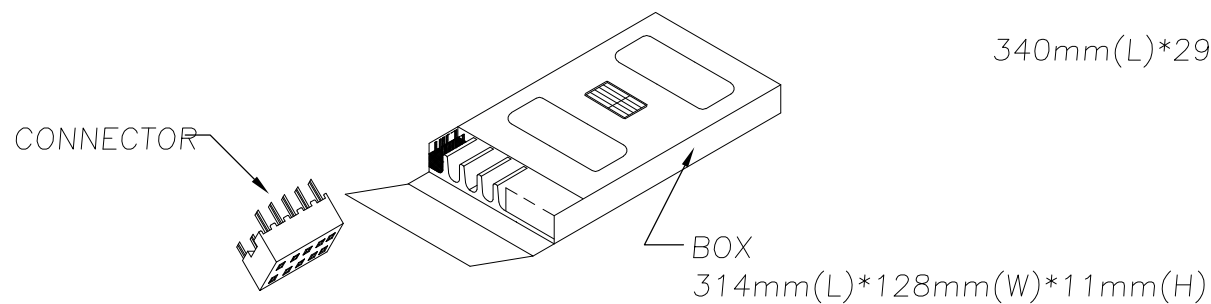
6	80μ" MIN	2.6±0.1	50	48	50	2-1977745-4
			48	46	48	2-1977745-3
			46	44	46	2-1977745-2
			44	42	44	2-1977745-1
			42	40	42	2-1977745-0
			40	38	40	1-1977745-9
			38	36	38	1-1977745-8
			36	34	36	1-1977745-7
			34	32	34	1-1977745-6
			32	30	32	1-1977745-5
			30	28	30	1-1977745-4
			28	26	28	1-1977745-3
			26	24	26	1-1977745-2
			24	22	24	1-1977745-1
			22	20	22	1-1977745-0
			20	18	20	1977745-9
18	16	18	1977745-8			
16	14	16	1977745-7			
14	12	14	1977745-6			
12	10	12	1977745-5			
10	8	10	1977745-4			
8	6	8	1977745-3			
6	4	6	1977745-2			
4	2	4	1977745-1			
TIN PLATE THICKNESS	"L"	KEYING POS.	A	B	POS	PART NUMBER

THIS DRAWING IS A CONTROLLED DOCUMENT.

DIMENSIONS: mm	TOLERANCES UNLESS OTHERWISE SPECIFIED:	DWN RAGHAVENDRA 16DEC10	TE Connectivity AMPMODU 2.0mm PITCH, REC CONN, VERTICAL, MOUNT TYPE
	0 PLC ± -	CHK MICHAEL GALLOWAY 16DEC10	
	1 PLC ± 0.15	APVD MICHAEL GALLOWAY 16DEC10	
	2 PLC ± 0.10	NAME	
	3 PLC ± 0.05	PRODUCT SPEC	108-57197
	4 PLC ± -	APPLICATION SPEC	
	ANGLES ± 3'	SIZE	A3
MATERIAL 1	FINISH 2	CAGE CODE	-
		DRAWING NO	C-1977745
		RESTRICTED TO	-
		SCALE	1:1
		SHEET	1 OF 2
		REV	A

CUSTOMER DRAWING

LOC	DIST	REVISIONS					
IR	-	P	LTR	DESCRIPTION	DATE	DWN	APVD
		-		SEE SHEET 1	-	-	-



6	2.6±0.1	4320	1080	90	50	2-1977745-4
		4320	1080	90	48	2-1977745-3
6		4320	1080	90	46	2-1977745-2
		4320	1080	90	44	2-1977745-1
		5040	1260	105	42	2-1977745-0
		5040	1260	105	40	1-1977745-9
		5040	1260	105	38	1-1977745-8
		5760	1440	120	36	1-1977745-7
		5760	1440	120	34	1-1977745-6
		6480	1620	135	32	1-1977745-5
		7200	1800	150	30	1-1977745-4
		7200	1800	150	28	1-1977745-3
		7920	1980	165	26	1-1977745-2
		8640	2160	180	24	1-1977745-1
		9360	2340	195	22	1-1977745-0
		10080	2520	210	20	1977745-9
		11520	2880	240	18	1977745-8
		12960	3240	270	16	1977745-7
		15120	3780	315	14	1977745-6
		17280	4320	360	12	1977745-5
		20880	5220	435	10	1977745-4
		26640	6660	555	8	1977745-3
35280	8820	735	6	1977745-2		
51840	12960	1080	4	1977745-1		
"L"	Pcs/Carton	Pcs/Inner Carton	Pcs/BOX	POS.	PART NUMBER	

THIS DRAWING IS A CONTROLLED DOCUMENT.		DWN RAGHAVENDRA 16DEC10	STE TE Connectivity		
DIMENSIONS: mm		CHK MICHAEL GALLOWAY 16DEC10			
TOLERANCES UNLESS OTHERWISE SPECIFIED:		APVD MICHAEL GALLOWAY 16DEC10	NAME AMPMODU 2.0mm PITCH, REC CONN, VERTICAL, MOUNT TYPE		
0 PLC ± -		PRODUCT SPEC 108-57197	SIZE A3		
1 PLC ± 0.15		APPLICATION SPEC	CAGE CODE	DRAWING NO	RESTRICTED TO
2 PLC ± 0.10		—	—	C-1977745	—
3 PLC ± 0.05		MATERIAL SEE SHEET 1	SCALE	SHEET	REV
4 PLC ± -		FINISH SEE SHEET 1	1:1	2 OF 2	A
ANGLES ± 3'		WEIGHT —	CUSTOMER DRAWING		

单击下面可查看定价，库存，交付和生命周期等信息

[>>TE Connectivity\(泰科\)](#)