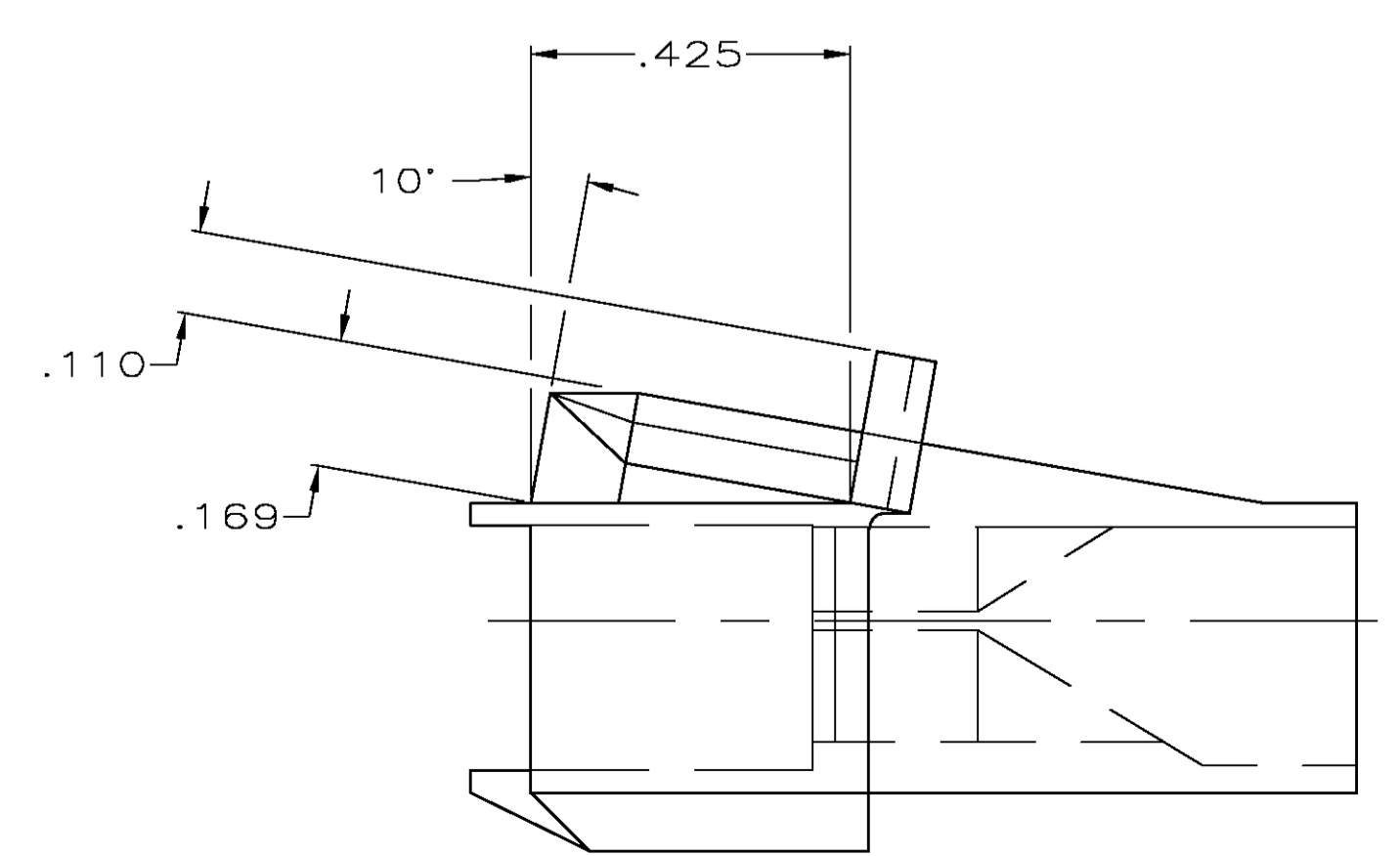
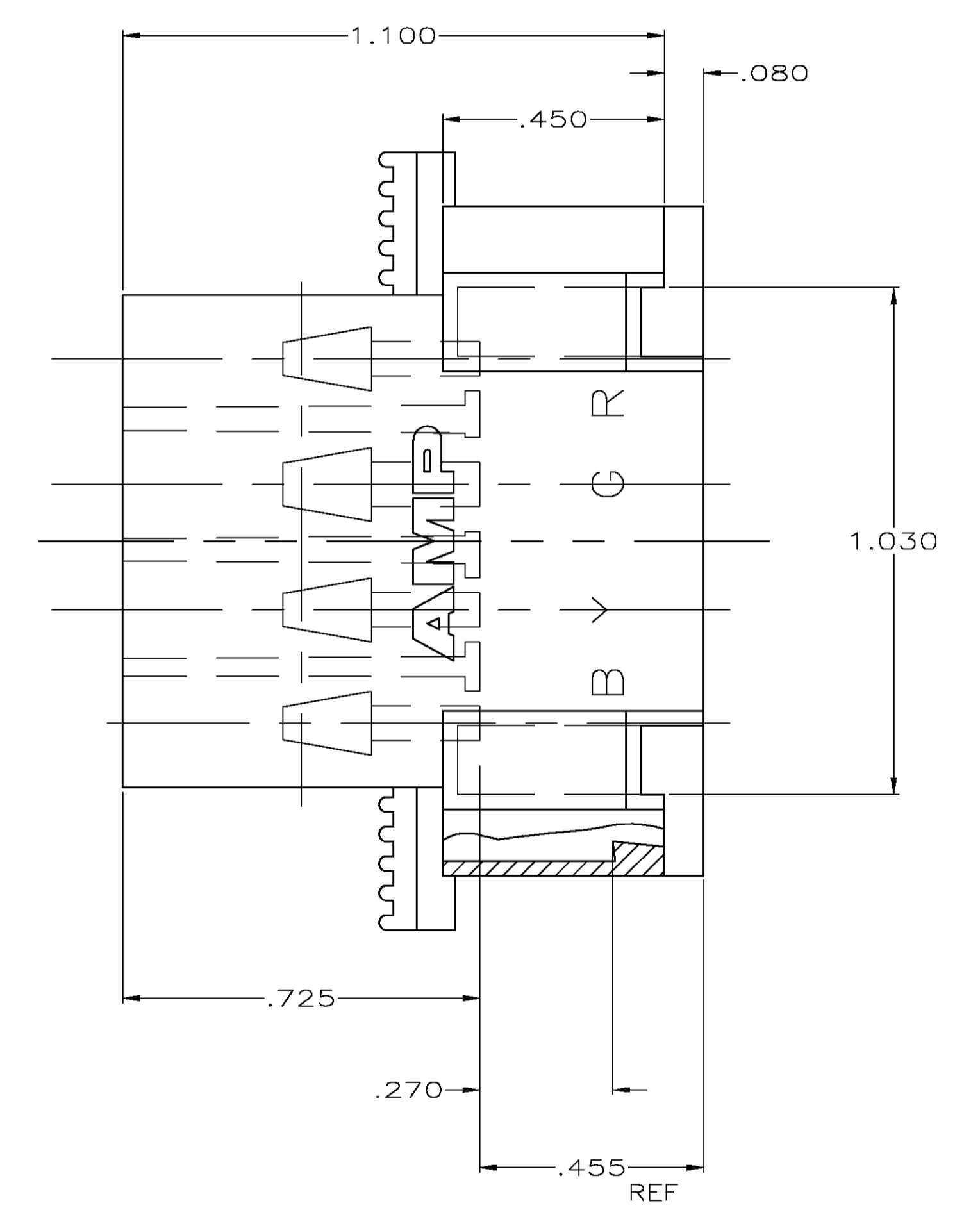
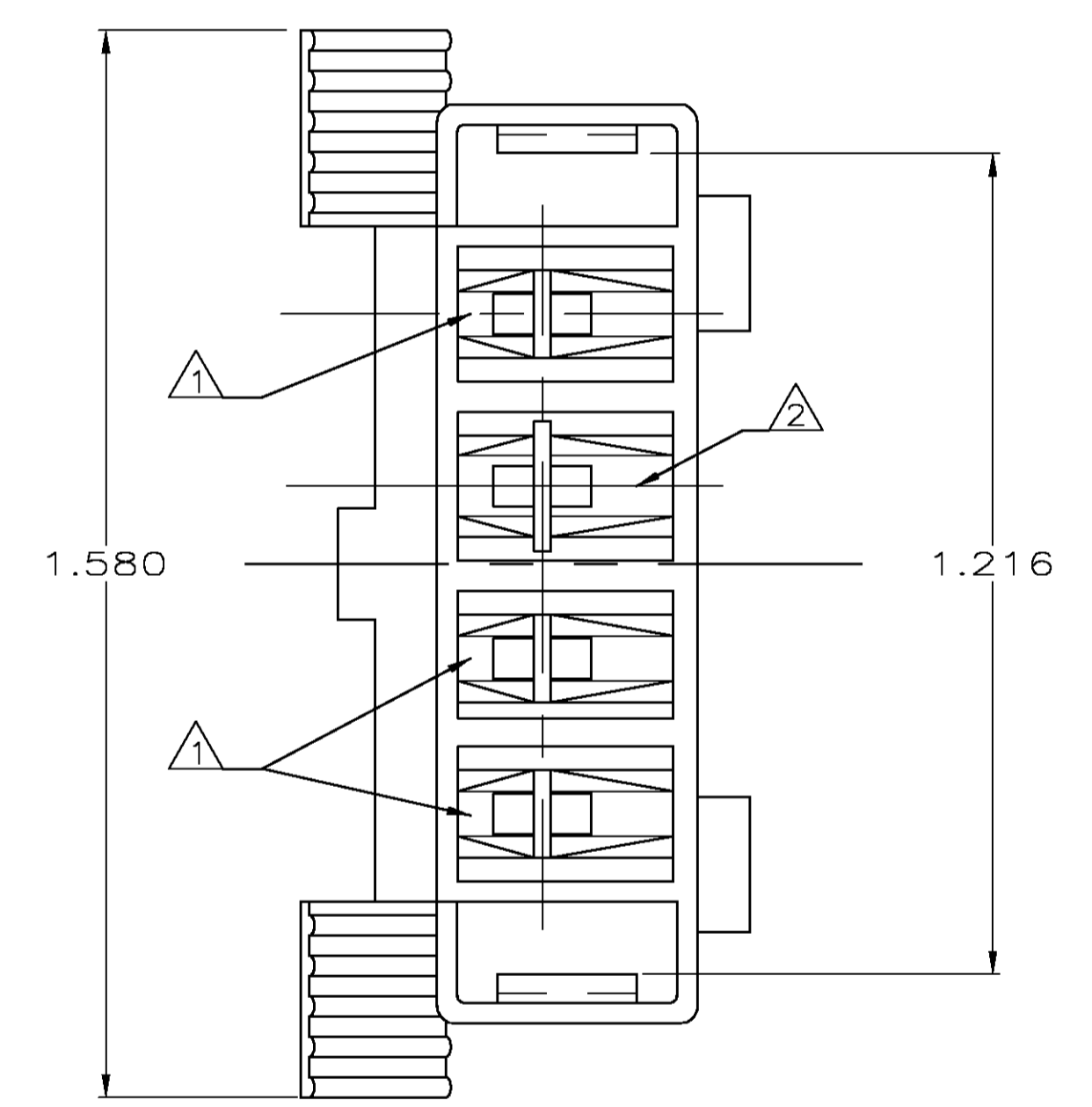
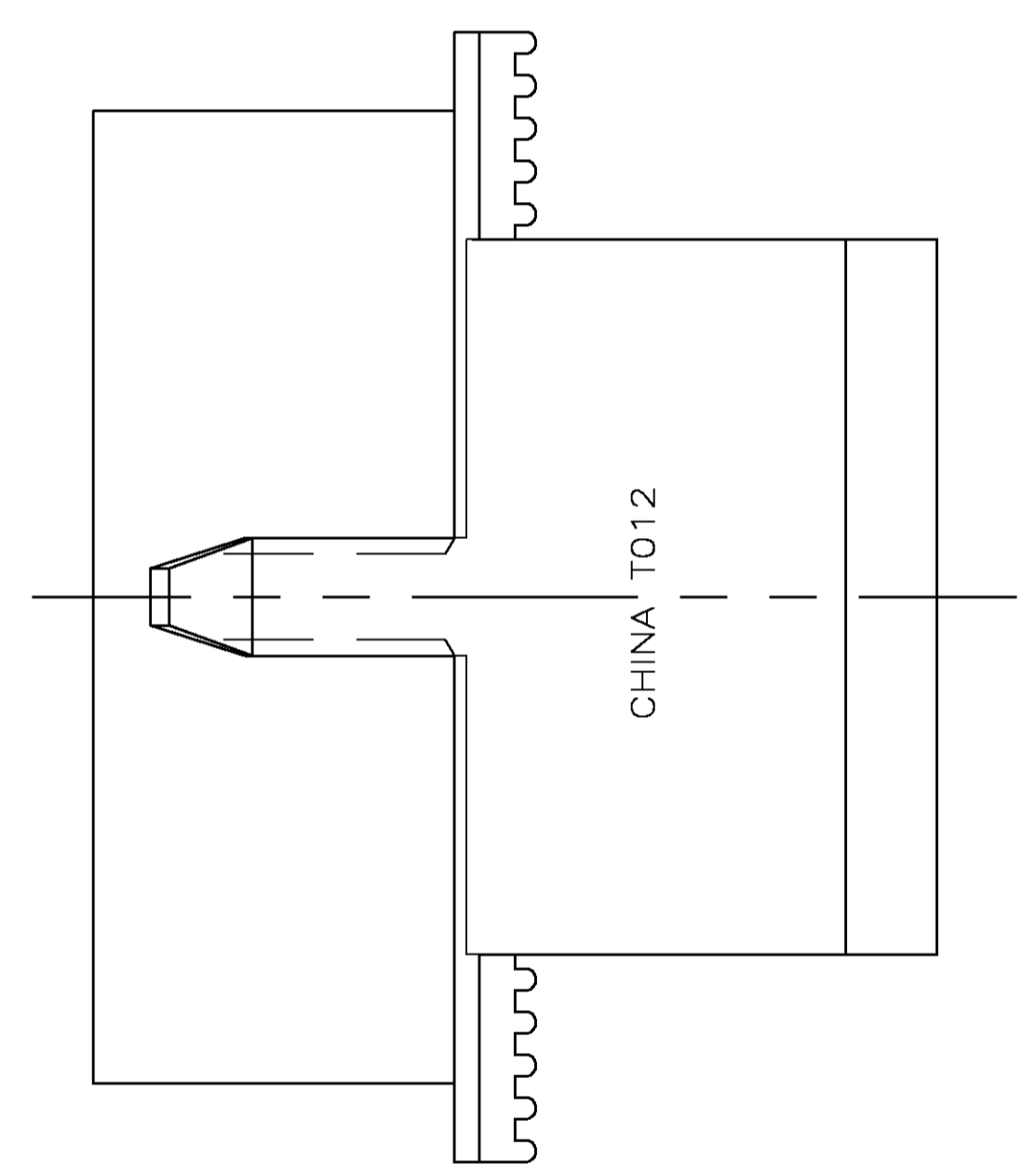
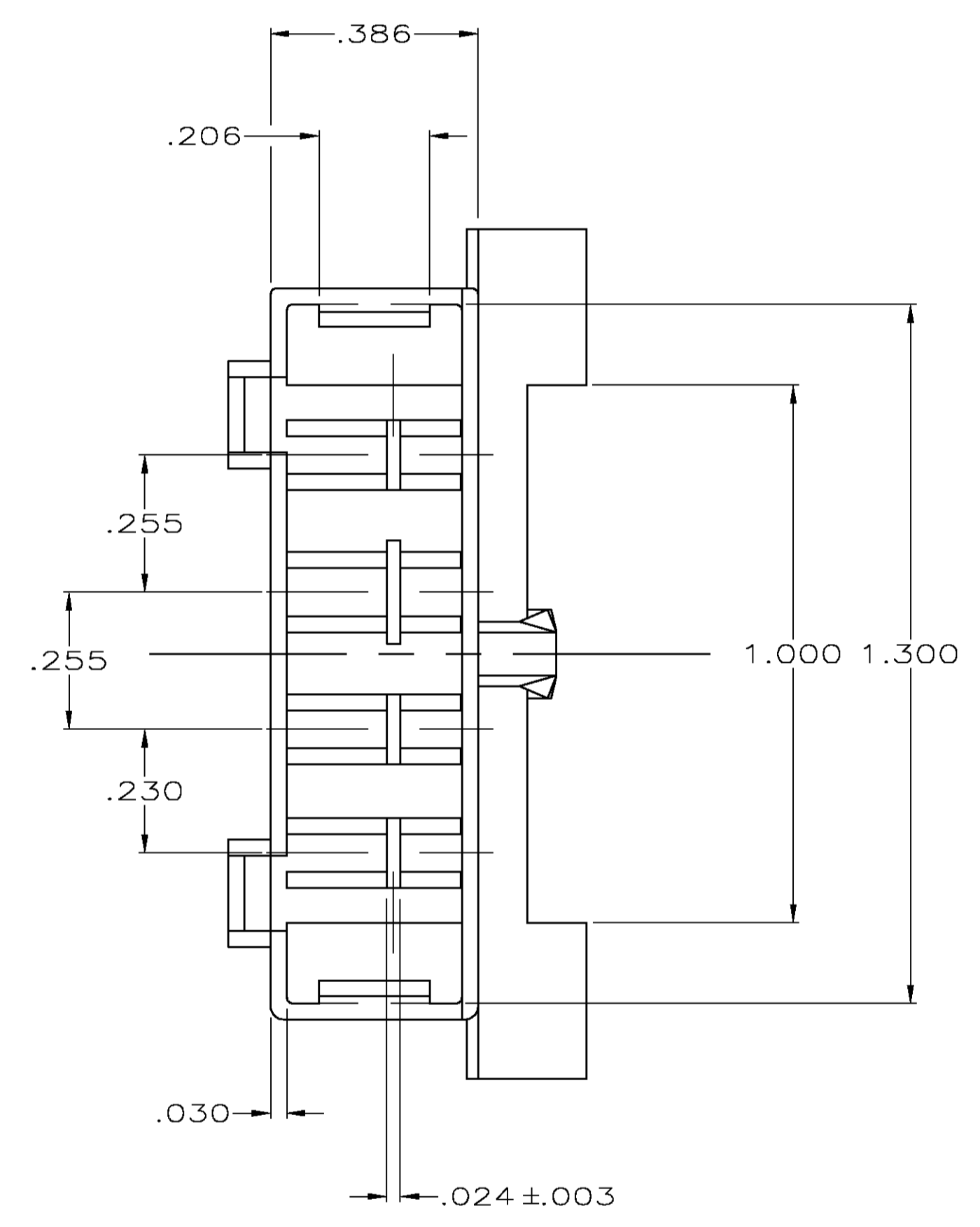
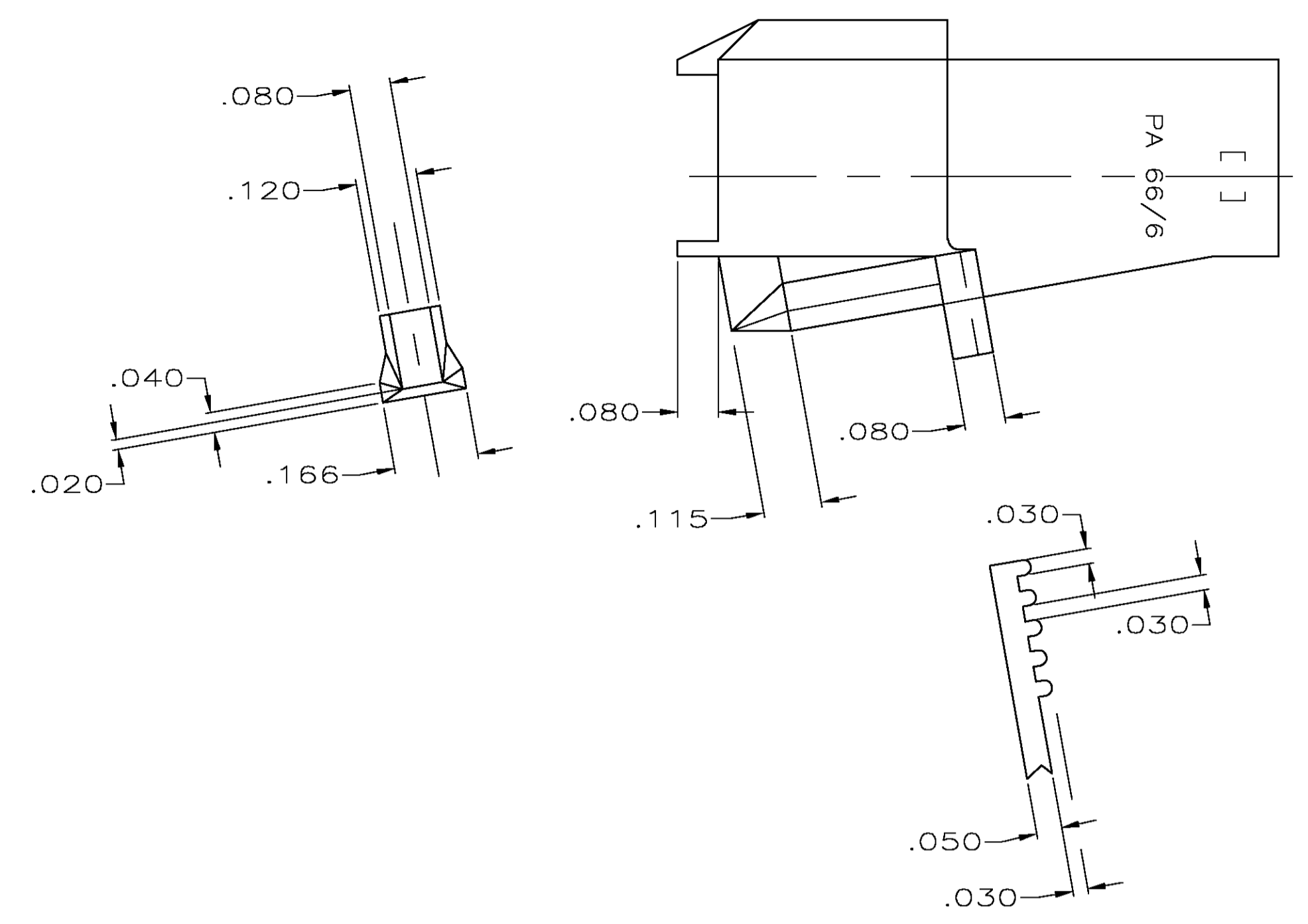


LOC		DIST		REVISIONS			
P	LR	DESCRIPTION	DATE	DRN	APVD		
G		REVISED PER 0G3A-0183-04	22MARG4	MF	DD		

- ① CAVITY ACCEPTS TIMER BLADE PART NUMBER 1217071-1.
- ② CAVITY ACCEPTS TIMER BLADE PART NUMBER 1217716-1.
- 3 PART MATES WITH PLUG HOUSING PART NUMBER 521434-1.
- ④ THIS MATERIAL HAS A '110 C' ELECTRICAL TEMPERATURE INDEX RATING BY U.L. AND A 94V-0 FLAMMABILITY RATING.



521429-1
PART NUMBER

THIS DRAWING IS A CONTROLLED DOCUMENT.		DWN MICHAEL S. FEHNER 28SEP2001	 Tyco Electronics Corporation Harrisburg, Pa 17105-3608
DIMENSIONS: INCHES		CHK DONALD DECKER 28SEP2001	
TOLERANCES UNLESS OTHERWISE SPECIFIED:		APVD DONALD DECKER 28SEP2001	NAME
0 PLC ± -		PRODUCT SPEC	
1 PLC ± -		APPLICATION SPEC	
2 PLC ± -		SIZE	
3 PLC ± .010		CAGE CODE	
4 PLC ± -		DRAWING NO	
ANGLES ± -		RESTRICTED TO	
MATERIAL 66/6 NYLON		WEIGHT	
FINISH COLOR : WHITE		A1 00779 C=521429	
④		CUSTOMER DRAWING	
		SCALE 4:1 SHEET 1 OF 1 REV G	

单击下面可查看定价，库存，交付和生命周期等信息

[>>TE Connectivity\(泰科\)](#)