

THIS DRAWING IS UNPUBLISHED.  
© COPYRIGHT - BY TYCO ELECTRONICS CORPORATION. ALL RIGHTS RESERVED.

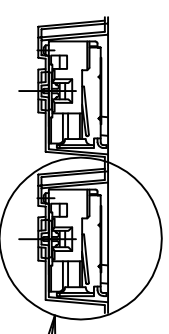
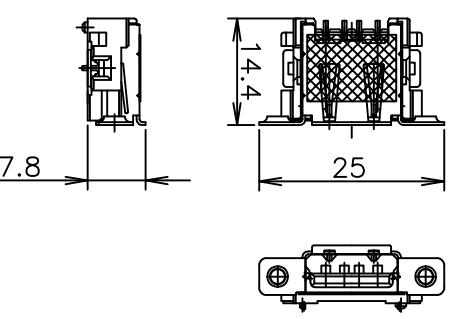
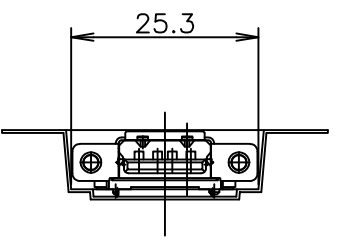
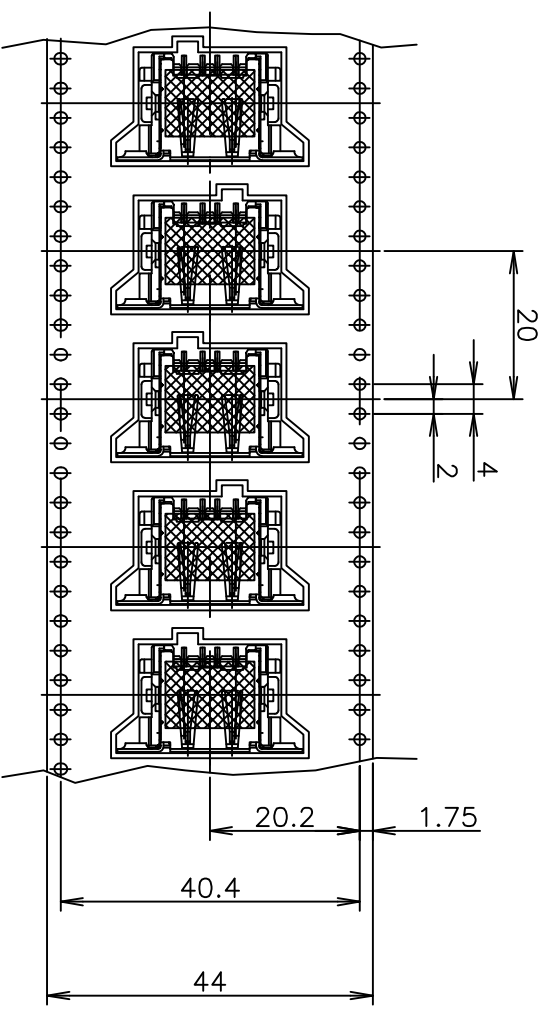
RELEASED FOR PUBLICATION  
ALL RIGHTS RESERVED.

Loc J  
DIST -

REVISIONS

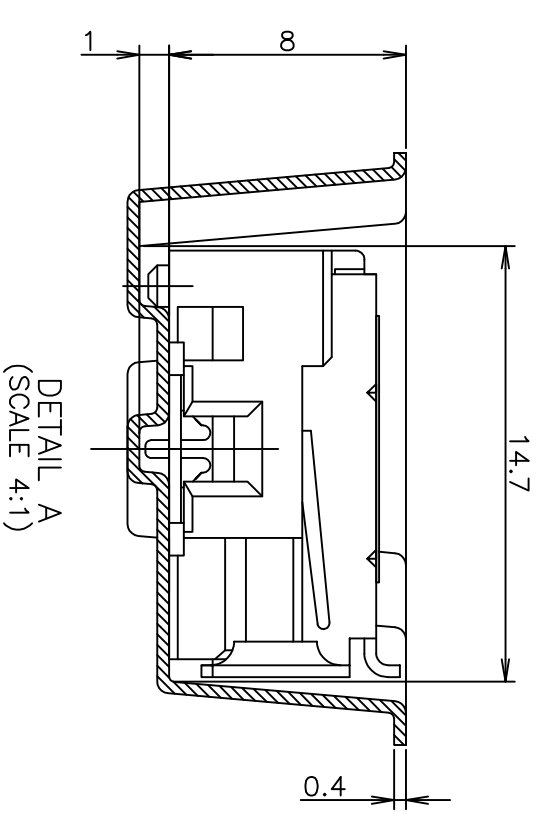
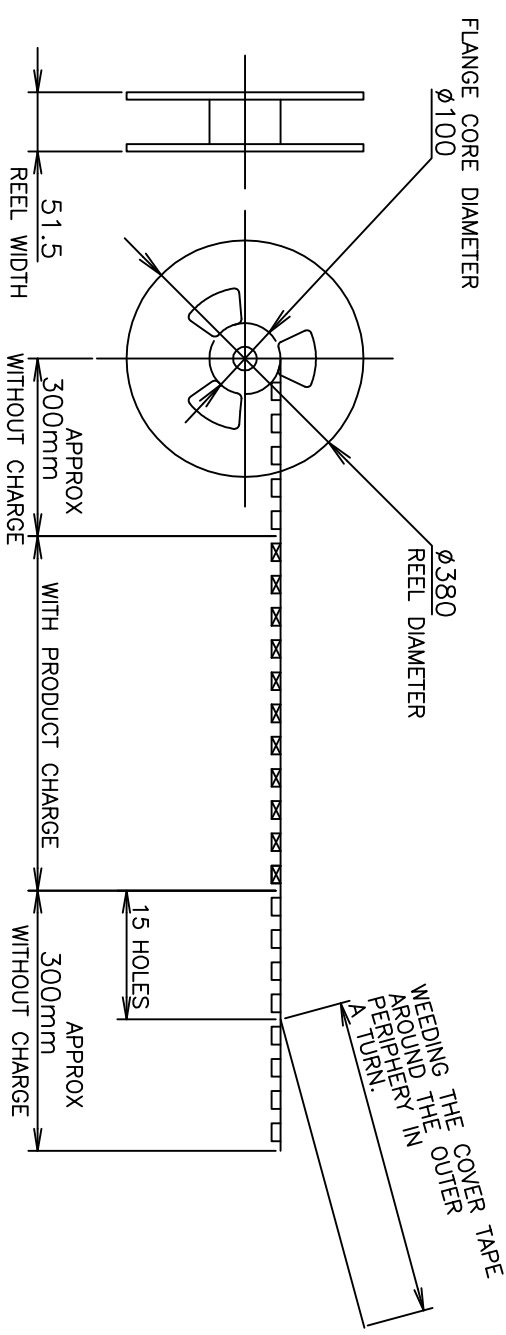
P	LTR	DESCRIPTION	DATE	DWN	APVD
A		RELEASED ECR-07-023898	090CT07	T.Z	S.Y

DIRECTION OFF TOP OF REEL



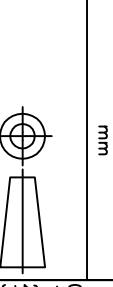
SEE DETAIL A

CONNECTOR DETAIL



THIS DRAWING IS A CONTROLLED DOCUMENT.

DIMENSIONS:	TOLERANCES UNLESS OTHERWISE SPECIFIED:
mm	0 PLC ± 0.3
	1 PLC ± 0.3
	2 PLC ± 0.3
	3 PLC ± 0.3
	4 PLC ± 0.3
	4.5° ANGLES ± 5°



MATERIAL

BLACK	WHITE	HOUSING COLOR	QTY	POS	EMBOSS P/N	PART NO.
350	350		4	1-912070-8	5353928-2	
			4	1-912070-8	5353928-1	

DWN G. ZHANG 24MAR06  
 CHK S. YAO 24MAR06  
 APVD J. QU 24MAR06  
 PRODUCT SPEC  
 APPLICATION SPEC  
 WEIGHT  
 CUSTOMER DRAWING

NAME Tyco Electronics  
 Tyco Electronics AMP K.K.  
 Kawasaki, Japan

EMBOSS ASSY  
 REVERSE TYPE USB CONN. REC.  
 WITH COVER TYPE  
 SIZE A3  
 CAGE CODE 00779  
 DRAWING NO G-5353928

SCALE 1:1 SHEET 1 OF 2 REV A

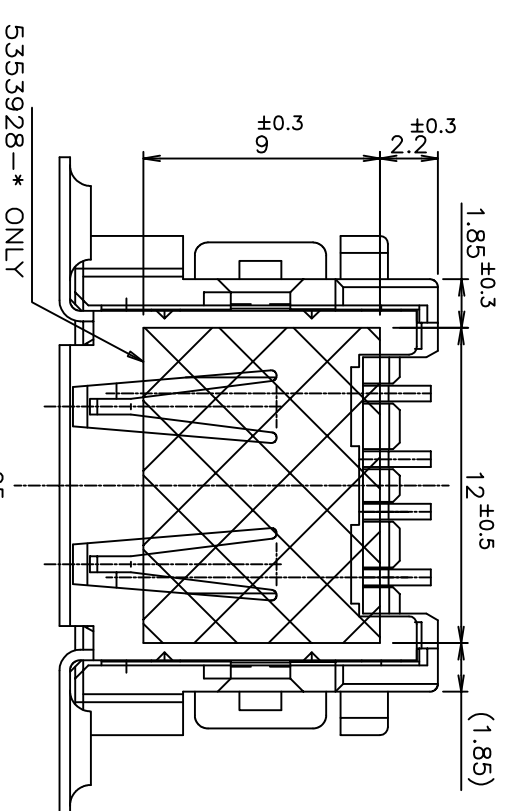
THIS DRAWING IS UNPUBLISHED.  
COPYRIGHT - BY TYCO ELECTRONICS CORPORATION. ALL RIGHTS RESERVED.

RELEASED FOR PUBLICATION  
ALL RIGHTS RESERVED.

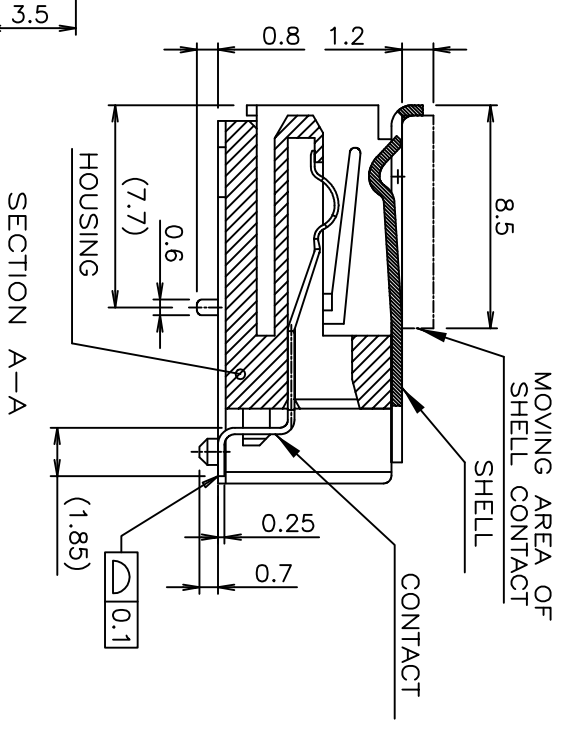
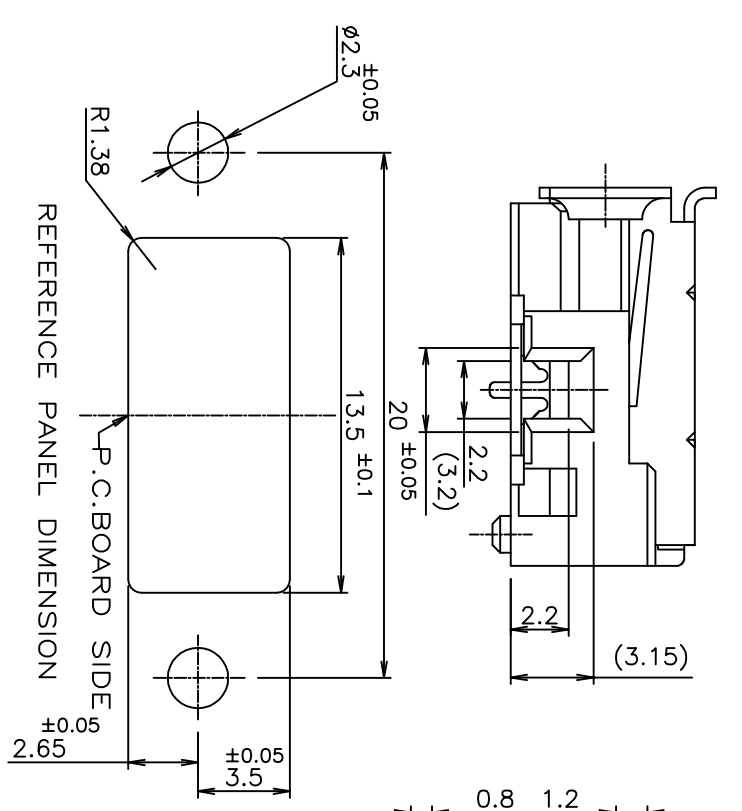
LOC J  
DIST -

REVISIONS  
P LTR DESCRIPTION  
- SEE SHEET 1

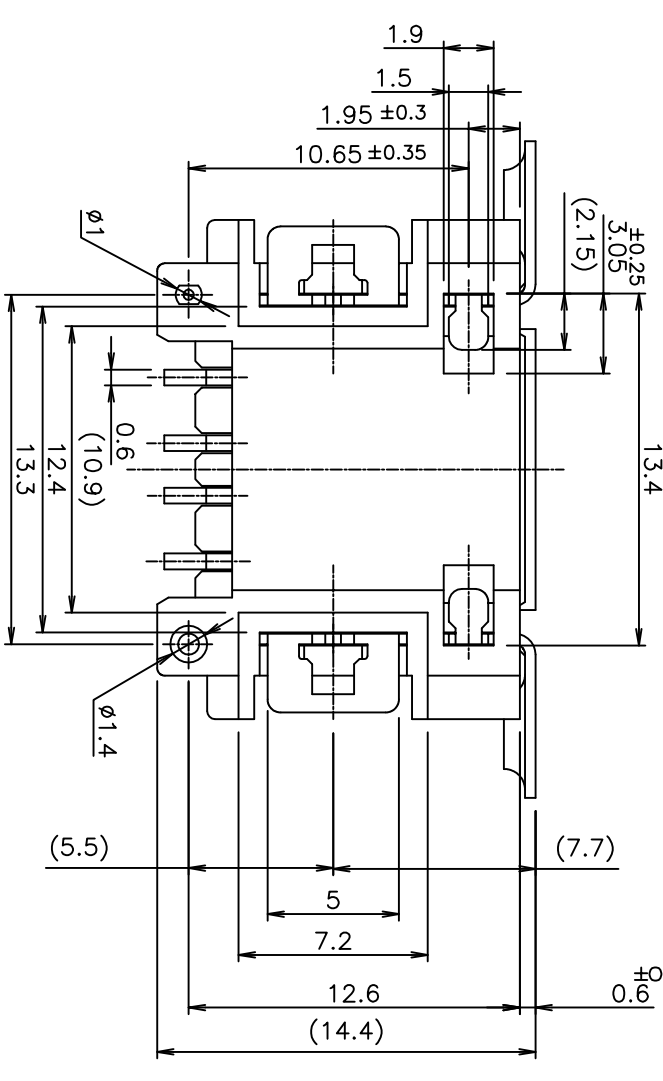
DATE -  
DWN -  
APVD -



REFERENCE DIMENSION OF P.C. BOARD (MOUNTING SIDE)



△ MATERIAL & FINISH  
CONTACT: COPPER ALLOY  
Au PL. ON Pd-Ni PL. AT CONTACT  
AREA OVER Ni PL.  
TIN PL. AT TINE AREA OVER Ni PL.  
HOUSING: THERMO-PLASTICS, UL-94V-0  
SHELL: COPPER ALLOY, TIN PL.



THIS DRAWING IS A CONTROLLED DOCUMENT.

DIMENSIONS: mm  
TOLERANCES UNLESS OTHERWISE SPECIFIED:

0 PLC	± 0.3
1 PLC	± 0.3
2 PLC	± 0.3
3 PLC	± 0.3
4 PLC	± 0.3
ANGLES	± 5°

DWN G. ZHANG 24MAR06  
CHK S. YAO 24MAR06  
APVD J. QU  
PRODUCT SPEC  
APPLICATION SPEC  
WEIGHT  
CUSTOMER DRAWING

NAME	TYCO Electronics	Tyco Electronics AMP K.K.
REVERSE TYPE USB CONN. REC. WITH COVER TYPE		

BLACK	WITH TAPE	5353928-2
WHITE	WITH TAPE	5353928-1
HOUSING COLOR	REMARKS	PART NO.

SIZE A3  
CAGE CODE 00779  
DRAWING NO. 5353928  
SCALE 1:1  
SHEET 2 OF 2  
REV A

单击下面可查看定价，库存，交付和生命周期等信息

[>>TE Connectivity\(泰科\)](#)