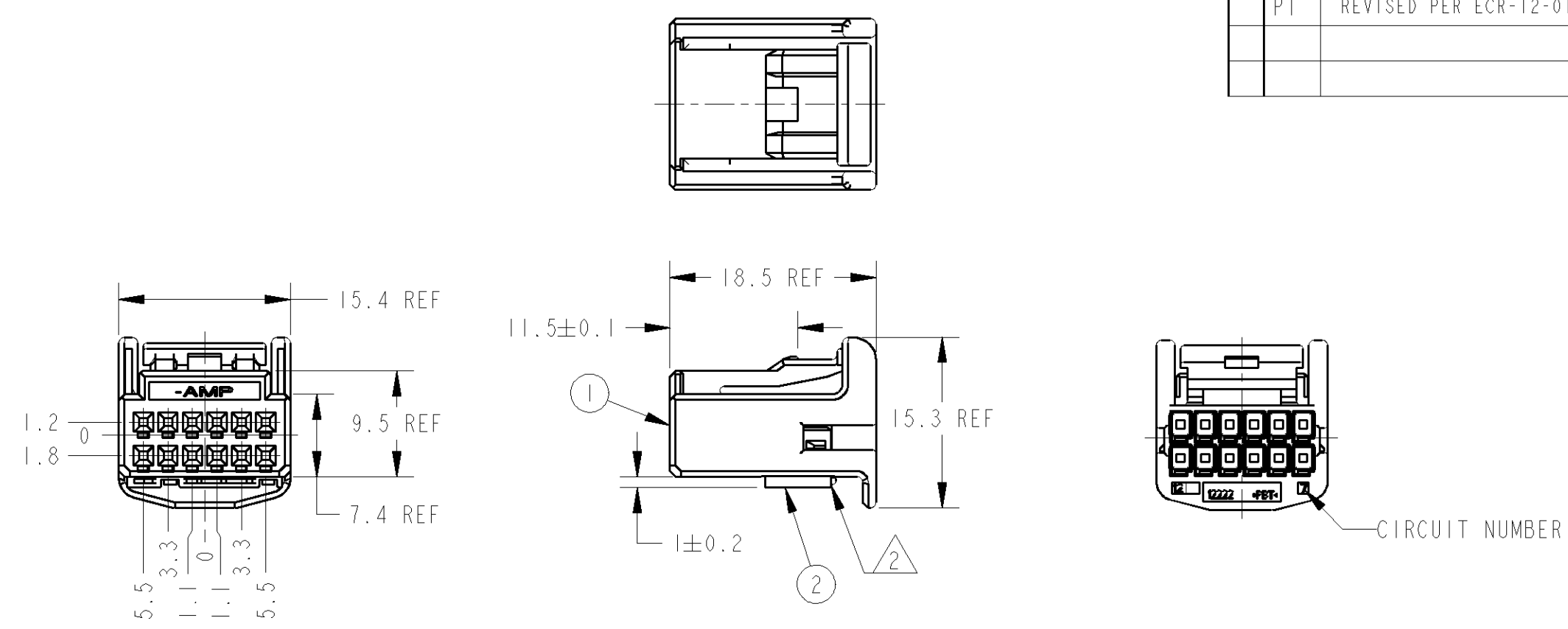


THIS DRAWING IS UNPUBLISHED. RELEASED FOR PUBLICATION
 © COPYRIGHT - ALL RIGHTS RESERVED.

LOC		DIST		REVISIONS			
P	LTR	DESCRIPTION		DATE	DWN	APVD	
	P	REVISED PER ECO-11-005140		09APR2011	RK	HMR	
	PI	REVISED PER ECR-12-019260		12NOV2012	TS	KB	



1. RETAINER SHOULD BE SET TO THE PRE- ASSEMBLY POSITION WITHIN THE PLUG HOUSING WHEN SHIPPED TO THE CUSTOMER
- △ 2. THE RETENTION LATCH OF THE RETAINER MUST BE OUT SIDE OF PLUG HOUSING WHEN PRE-ASSEMBLY
3. RETAINER RETENTION FORCE FROM HOUSING : 30N MIN
4. INSTRUCTION SHEET NO : 411-5928
5. PART NUMBER OF CAP HOUSING TO BE MATED : SEE TABLE-1
6. APPLIED TERMINAL : SEE TABLE-2

1. プラグハウジングにリテーナーを仮止して出荷する
- △ 2. 仮止時リテーナー突起がハウジングの外側に出ていること
3. リテーナーの仮止保持力は 30N 以上
4. 取扱い説明書 NO : 411-5928
5. 嵌合相手型番は TABLE-1 参照
6. 適用端子は TABLE-2 参照

TABLE-1

POS 極数	CAP ASSEMBLY PART NO キャップ 型番
12	1318772

TABLE-2

TERMINAL NO 端子型番		APPLICABLE WIRE RANGE (FEMALE) 適用電線
SIGNAL 025	TIN 1123343-1	AVSS/CAVUS 0.3~0.5mm ² CAVS 0.22~0.5mm ² AVSSH-f 0.3~0.5mm ²

PLASTIC BAG ビニール袋	INNER 内装	PACKING STYLE 梱包形態		
PAPER BOX タンボール箱	OUTER 外装			
1	1318776-1	12P RETAINER	NATURAL	2
1	1376674-1	12P PLUG HOUSING SHORT BODY	BLACK	1
1376675-1	PART NO.	NAME	FINISH/COLOR	NO.

THIS DRAWING IS A CONTROLLED DOCUMENT.

DWN Y. KAWAHARA 23JAN01
 CHK N. SAI 23JAN01
 APVD N. SAI 23JAN01

PRODUCT SPEC 108-5668
 APPLICATION SPEC 114-5250

WEIGHT 1.8 g

MATERIAL PBT FINISH 仕上 SEE TABLE

CUSTOMER DRAWING

STE TE Connectivity

NAME 025 SERIES CONNECTOR 12 POS
 名称 PLUG HOUSING ASSY SHORT BODY

SIZE A3 CAGE CODE 00779 DRAWING NO 1376675 RESTRICTED TO

SCALE 2:1 SHEET 1 OF 1 REV PI

单击下面可查看定价，库存，交付和生命周期等信息

[>>TE Connectivity\(泰科\)](#)