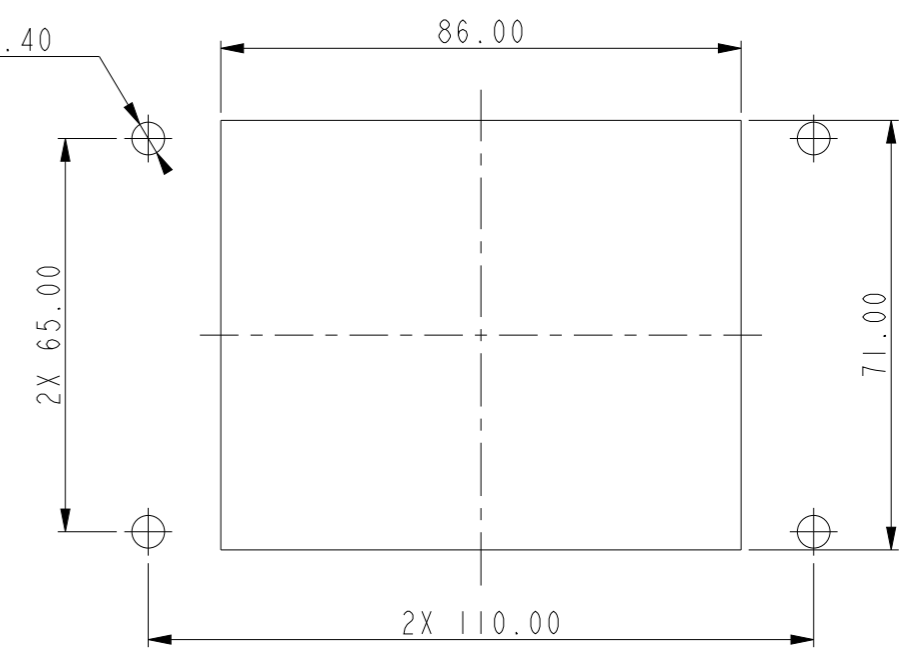
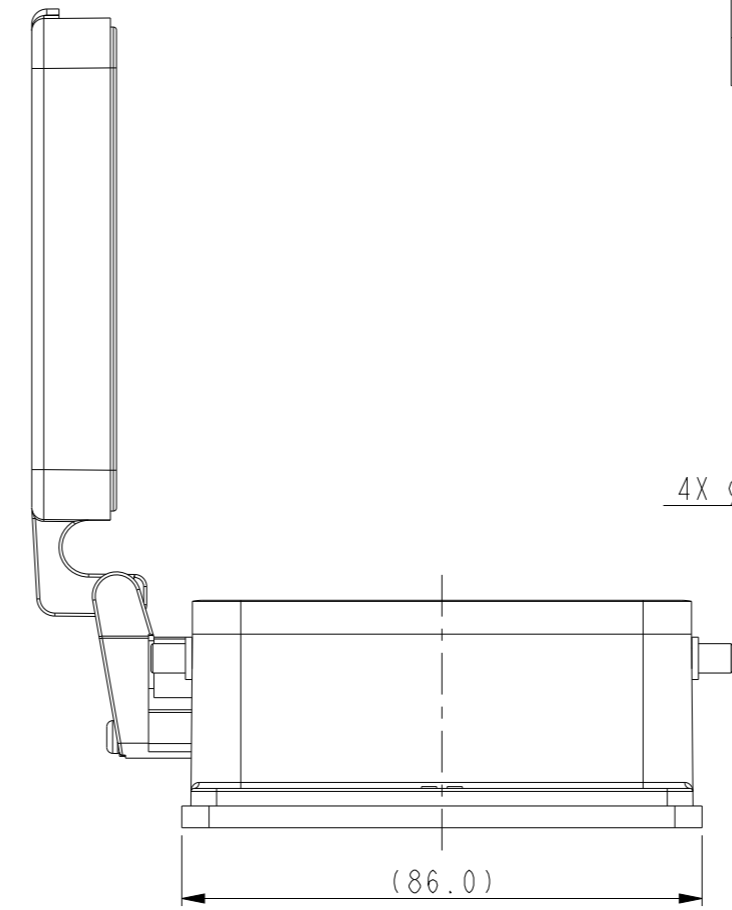
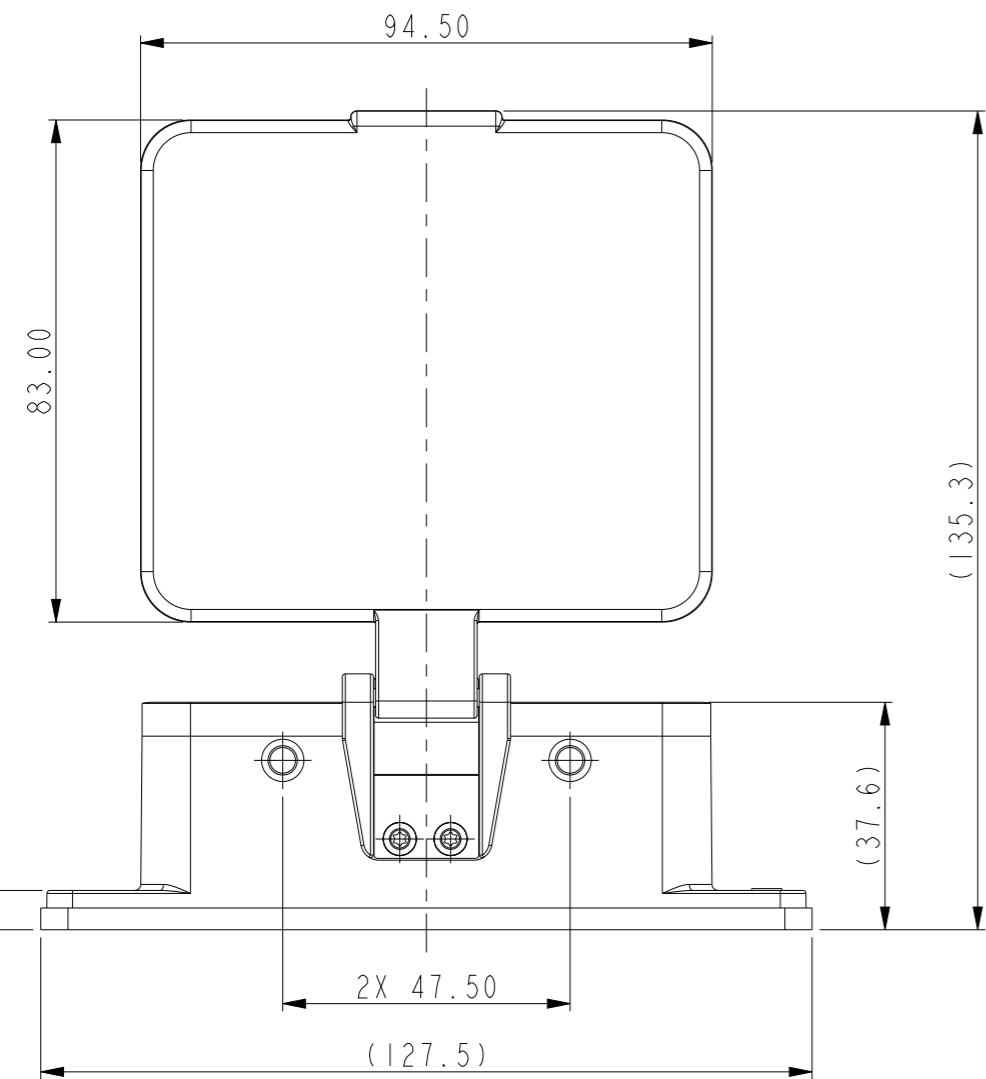


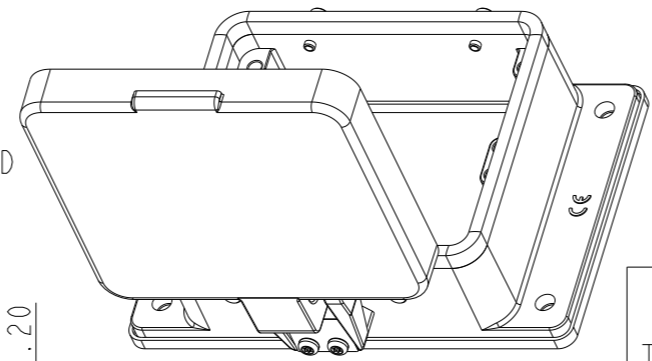
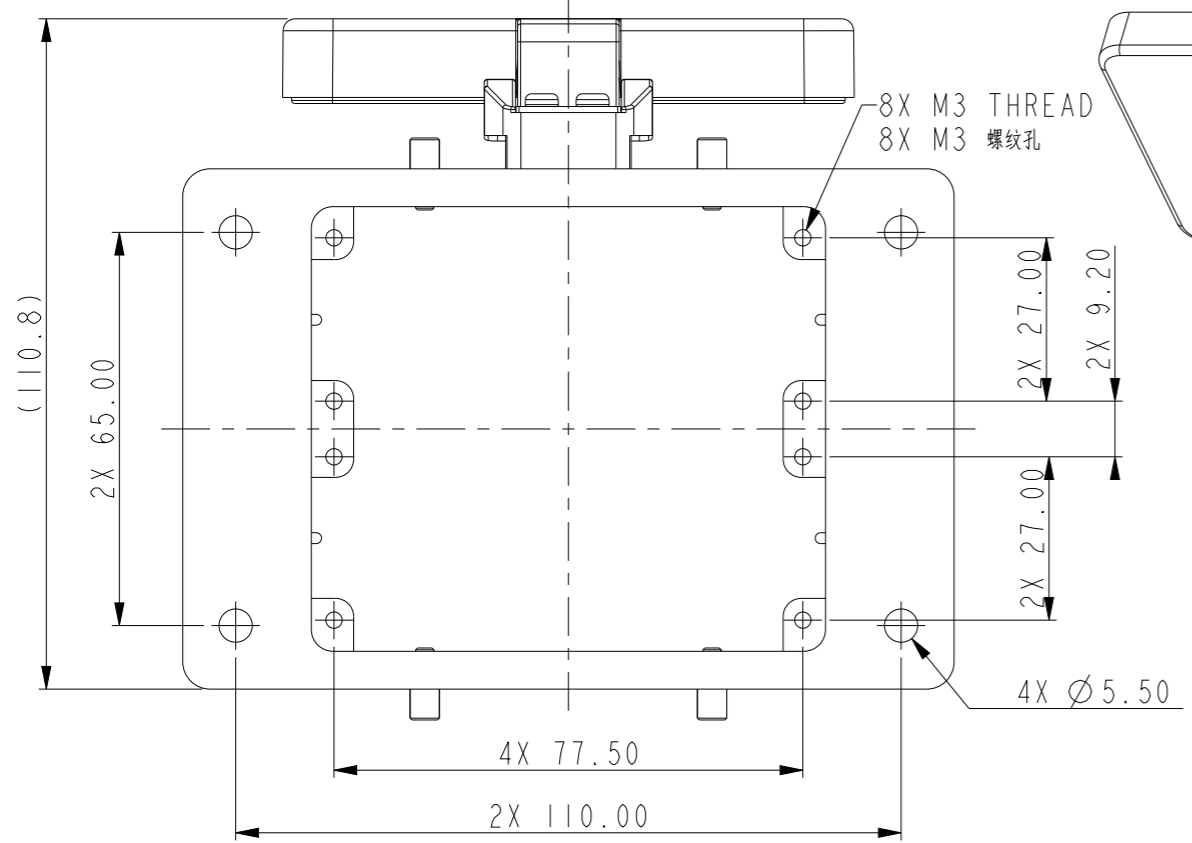
THIS DRAWING IS UNPUBLISHED. RELEASED FOR PUBLICATION 20
 © COPYRIGHT 20 BY - ALL RIGHTS RESERVED.

REVISIONS					
P	LTR	DESCRIPTION	DATE	DWN	APVD
	A	INITIAL RELEASE	02JUN2015	DL	CW
	AI	ECR-17-017115	29NOV2017	CH	CW
	B	ECR-21-109004	16AUG2021	WQR	CW



NOTES:
 1. TECHNICAL CHARACTERISTICS:
 BODY MATERIAL: DIE CAST ALUMINIUM ALLOY
 SURFACE TREATMENT: POWDER COATED, GREY
 DEGREE OF PROTECTION: IP65 (MATED)

注释:
 1. 技术参数:
 主体材料: 铝合金
 表面处理: 灰色粉末喷涂
 防护等级: IP65(配合)



SCALE 1:2

开孔安装示意图
 PANNEL CUT OUT

T1430320000-000	H32B-AD-BO	H32B HOUSING, BULKHEAD MOUNTED, 4 EAR, PLASTIC PROTECTION COVER, POWDER COATED, GREY H32B下壳, 开孔安装, 4耳, 带塑料保护盖, 灰色粉末喷涂
PART NUMBER 料号	PART DESCRIPTION 描述	

THIS DRAWING IS A CONTROLLED DOCUMENT.		DWN 02JUN2015 DAVID.LI	TE Connectivity	
DIMENSIONS: mm		CHK 02JUN2015 CHRIS.WANG		
TOLERANCES UNLESS OTHERWISE SPECIFIED:		APVD 02JUN2015 XIANG.XU	NAME H32B-AD-BO	
0 PLC ±-		PRODUCT SPEC 108-137013	SIZE A3	
1 PLC ±-		APPLICATION SPEC 114-137013	CAGE CODE -	DRAWING NO C-T1430320000000
2 PLC ±-		WEIGHT -	RESTRICTED TO -	
3 PLC ±-		Customer Drawing	SCALE 4:5	SHEET 1 OF 1
4 PLC ±-				REV B
ANGLES ±-				
FINISH				
MATERIAL				

单击下面可查看定价，库存，交付和生命周期等信息

[>>TE Connectivity\(泰科\)](#)