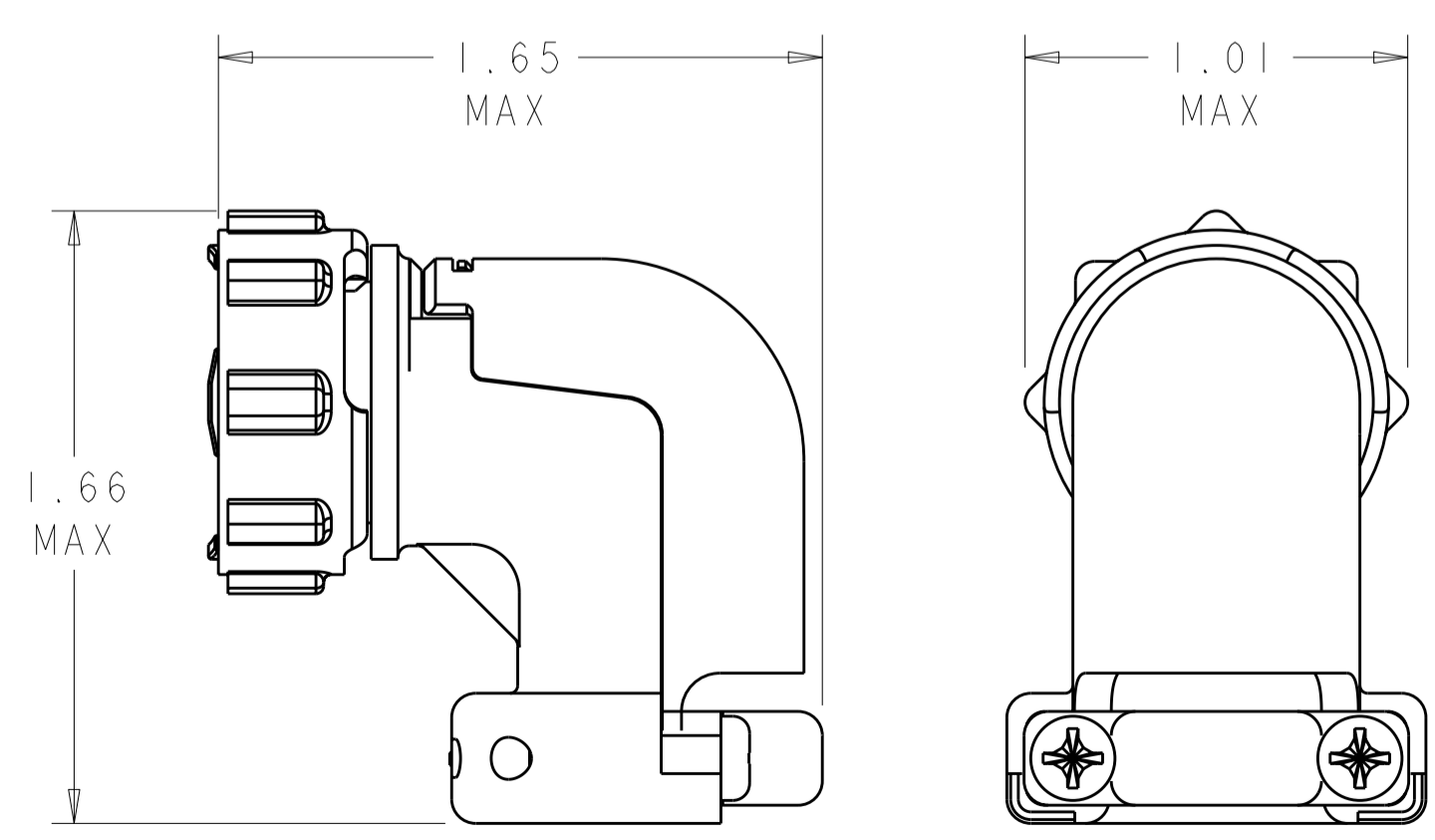
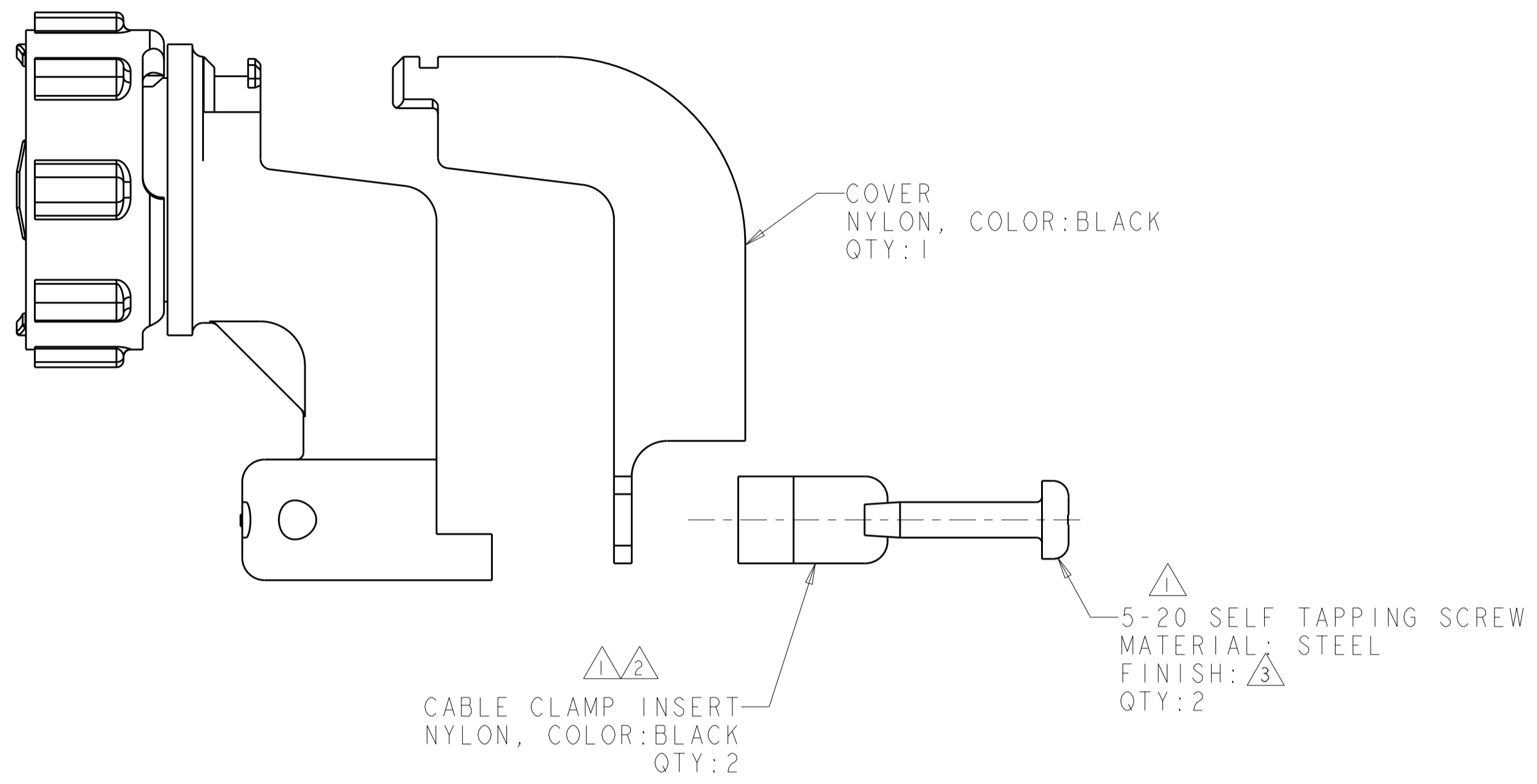
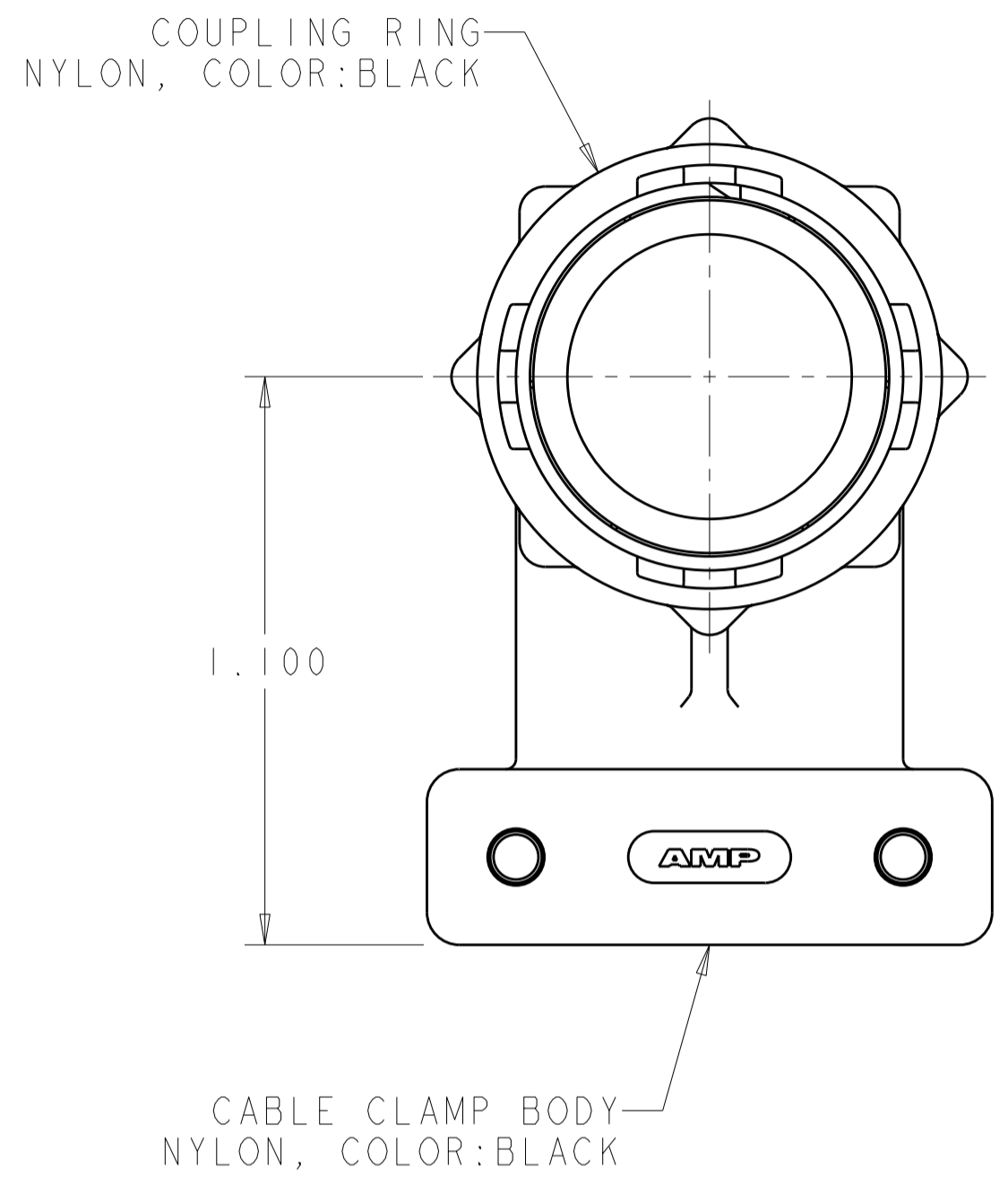


THIS DRAWING IS UNPUBLISHED. RELEASED FOR PUBLICATION  
 © COPYRIGHT 20 BY TYCO ELECTRONICS CORPORATION. ALL RIGHTS RESERVED.

LOC		DIST		REVISIONS			
P	LTR	DESCRIPTION	DATE	DWN	APVD		
	B	REVISED PER ECO-10-012730	20SEP10	HMR	MG		



ASSEMBLED VIEW  
SCALE 2:1

- 1 SELF TAPPING SCREWS AND CABLE CLAMP INSERTS PACKAGED UNASSEMBLED.
- 2 CLAMPING AREA ADJUSTABLE TO .453 O.D. MAX CABLE. CABLE CLAMP INSERTS CAN BE ADJUSTED BY INVERTING OR CHANGING CABLE CLAMP INSERT.
- 3 SCREW FINISH ZINC WITH NON HEXAVALENT CHROMATE.

1546348-2	1546348-1
PART NUMBER	

THIS DRAWING IS A CONTROLLED DOCUMENT FOR TYCO ELECTRONICS CORPORATION IT IS SUBJECT TO CHANGE AND THE CONTROLLING ENGINEERING ORGANIZATION SHOULD BE CONTACTED FOR THE LATEST REVISION.		DWN S.WELDON 11FEB2000	AMP Incorporated	
DIMENSIONS: INCHES		CHK M.CHACKO 11FEB2000	Harrisburg, PA 17105-3608	
TOLERANCES UNLESS OTHERWISE SPECIFIED:		APVD M.CHACKO 11FEB2000	NAME CABLE CLAMP KIT, UNASSEMBLED, R/A, W/COVER, SIZE 13, CPC	
0 PLC ±	1 PLC ±	PRODUCT SPEC	SIZE A200779	DRAWING NO C-1546348
2 PLC ±	3 PLC ±0.005	APPLICATION SPEC	SCALE 3:1	SHEET 1 OF 1
4 PLC ±	ANGLES ±	WEIGHT	CUSTOMER DRAWING	REV B
MATERIAL	FINISH			

单击下面可查看定价，库存，交付和生命周期等信息

[>>TE Connectivity\(泰科\)](#)