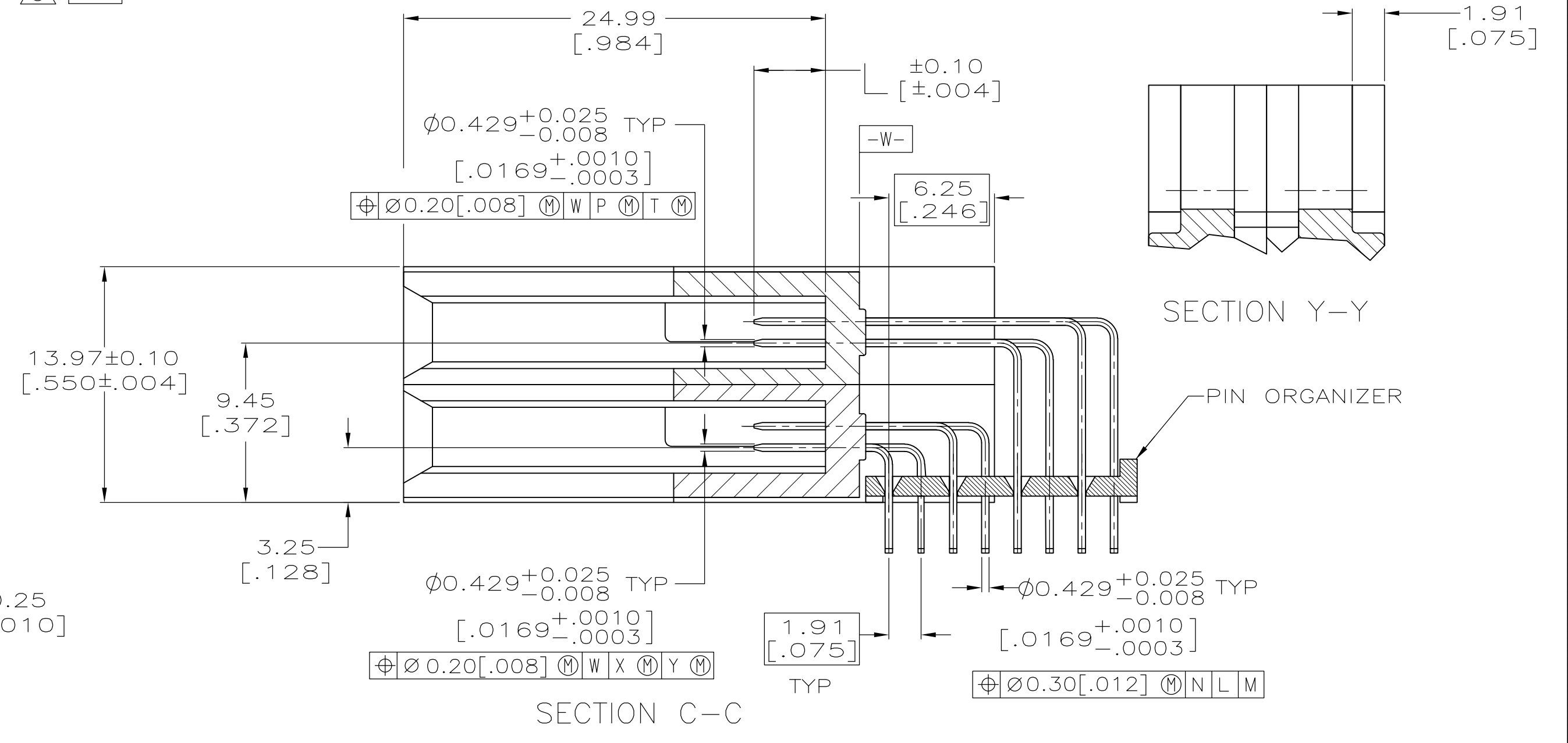
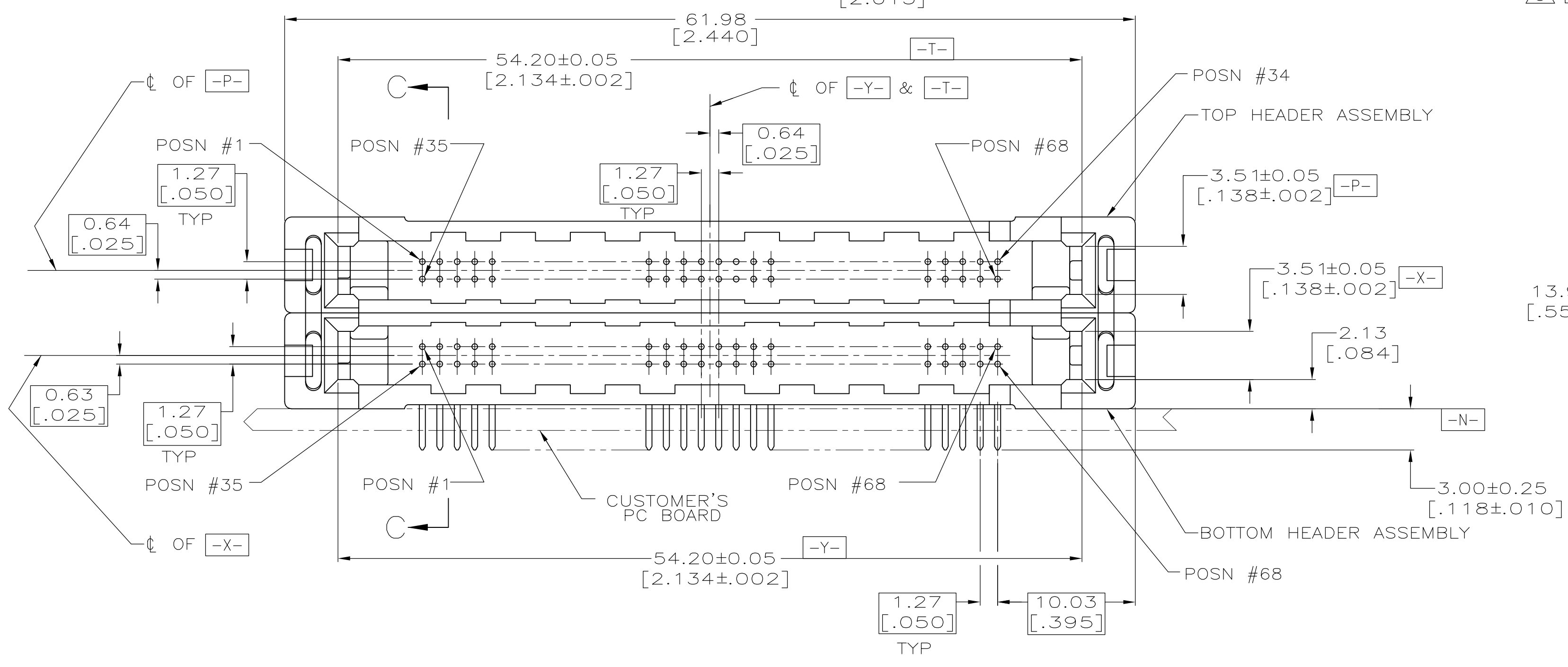
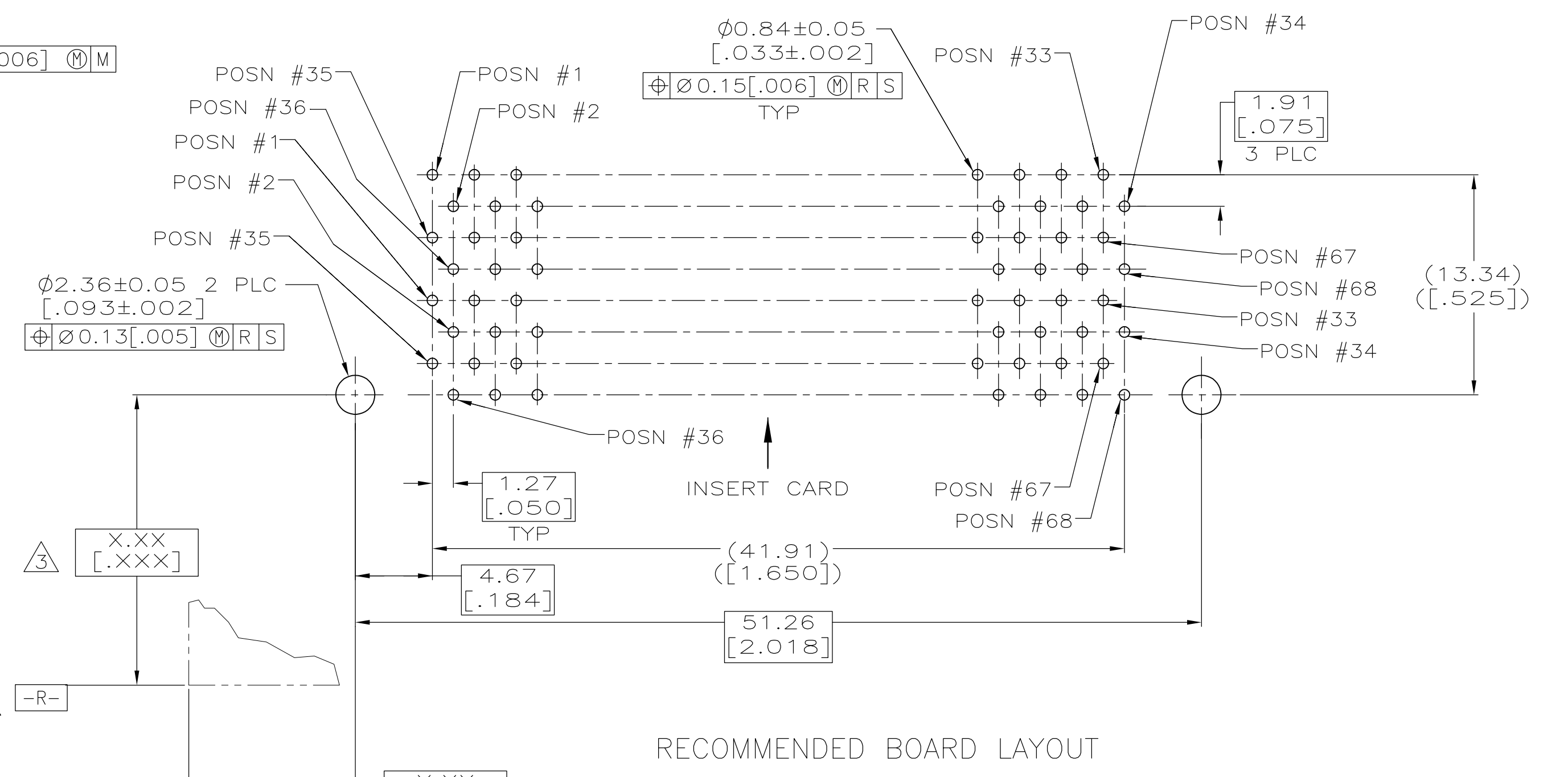
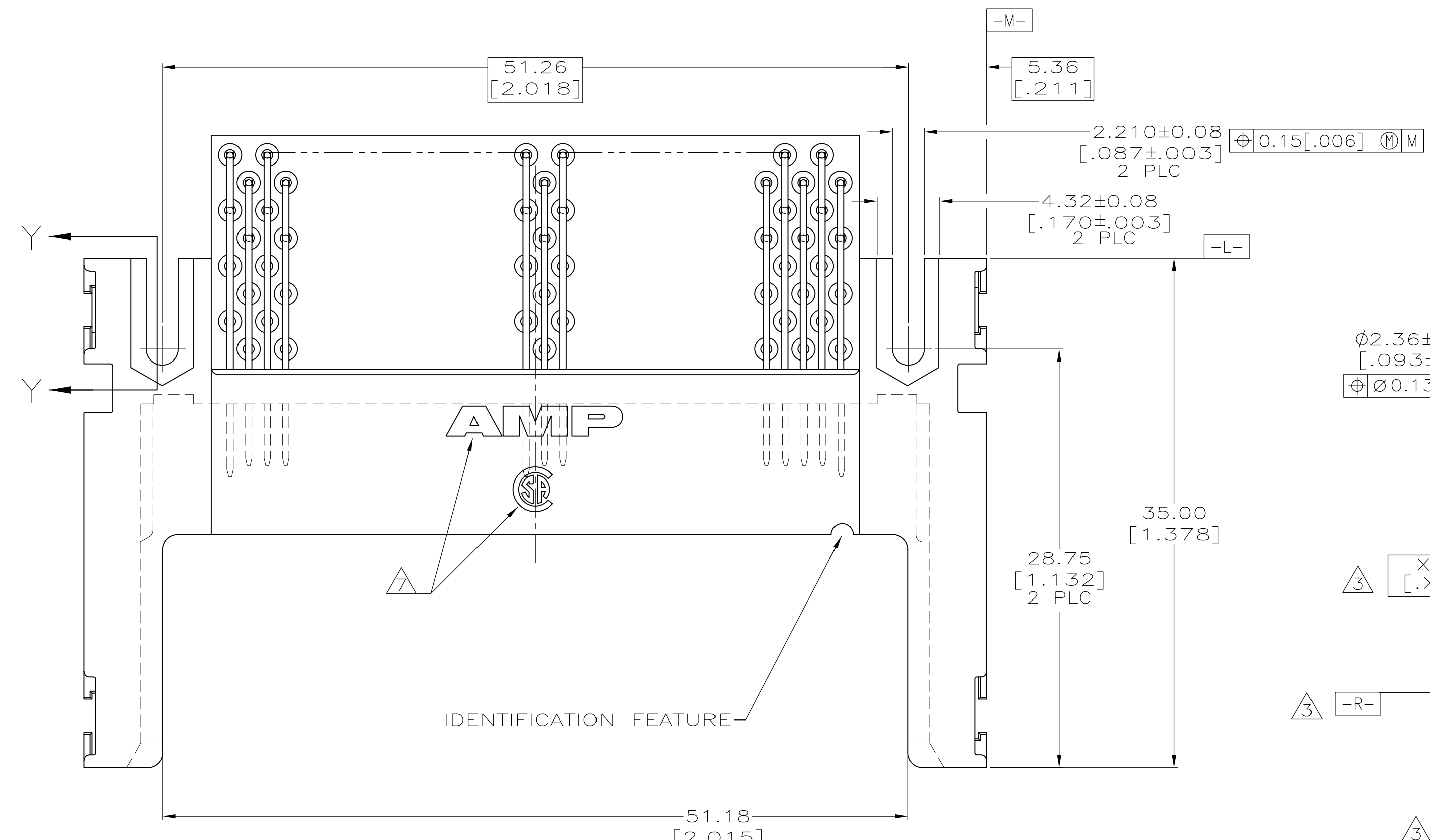


LOC	DIST	REV	DESCRIPTION	DATE	OWN	APPD
CP	00	0	REL PER EC 0513-0031-05	03-24-05	AF	JG
		01	REVISED PER ECO-09-024927	07NOV09	KK	AEG



- ① PIN: 0.00076[.000030] MINIMUM GOLD IN CONTACT AREA, 0.00381[.000150] MIN TIN ON SOLDER TAILS, ALL OVER 0.00127[.000050] MINIMUM NICKEL
- 2 CUSTOMER TO PROVIDE CARD GUIDANCE SYSTEM
- ③ DATUMS AND BASIC DIMENSIONS ESTABLISHED BY CUSTOMER
- 4 CONNECTOR REQUIRES USE OF 2 - SIZE 2M SCREWS FOR FASTENING TO PRINTED CIRCUIT BOARD
- ⑤ ASSEMBLY KEYED FOR 5 VOLT CARDS
- ⑥ ASSEMBLY KEYED FOR LOW VOLT CARDS (3.3V)
- ⑦ RECESSED AMP AND CSA LOGOS LOCATED ON BOTH SIDES OF HOUSINGS.
- ⑧ MATERIAL: HOUSING & ORGANIZER: LCP, COLOR; BLACK; PIN: BRASS & PHOSPHOR BRONZE
- ⑨ OBSOLETE PARTS: OBSOLETE CIS STREAMLINING PER D.RENAUD/D.SINISI

⑨ OBSOLETE	⑥	1,17,34	ALL OTHER PINS	36,67	-5146027-2-
		35,51,68	ALL OTHER PINS	36,67	5146027-1
VOLTAGE KEYING	⑤	5.0	4.25	3.5	PART NUMBER
		[.197]	[.167]	[.138]	
"L" (PIN LENGTH) AND LOCATION					

DIMENSIONS: mm [INCHES]		TOLERANCES UNLESS OTHERWISE SPECIFIED:		THIS DRAWING IS A CONTROLLED DOCUMENT.	
0 PLC	± .005	1 PLC	± .005	OWN A. FERNANDEZ-DOCK5	03-24-05
2 PLC	± .010	2 PLC	± .010	CHK D.L. GORENC	03-24-05
3 PLC	± .015	3 PLC	± .015	APVD M. WALMSLEY	03-24-05
4 PLC	± .020	4 PLC	± .020	NAME	
ANGLES	± .005	FINISH		Tyco Electronics Corporation Harrisburg, PA 17105-3608	
MATERIAL	⑧	①		STACKED PIN HEADER ASSEMBLY, 136 POSN, TOP BOARD MOUNTING, THRU-HOLE, AMP MEMORY CARD	
WEIGHT 16.1 GRAMS		SIZE	CAGE CODE	DRAWING NO	RESTRICTED TO
CUSTOMER DRAWING		A1	00779	C=5146027	—
SCALE 4:1		SHEET 1 OF 1		REV 01	

**COPYRIGHT 2005  
 TYCO ELECTRONICS CORP  
 ALL RIGHTS RESERVED**

单击下面可查看定价，库存，交付和生命周期等信息

[>>TE Connectivity\(泰科\)](#)