

THIS DRAWING IS UNPUBLISHED.

RELEASED FOR PUBLICATION

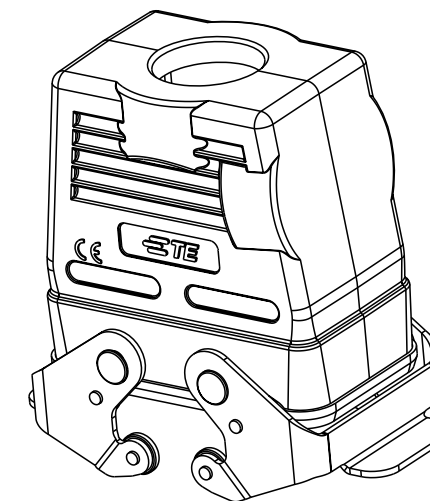
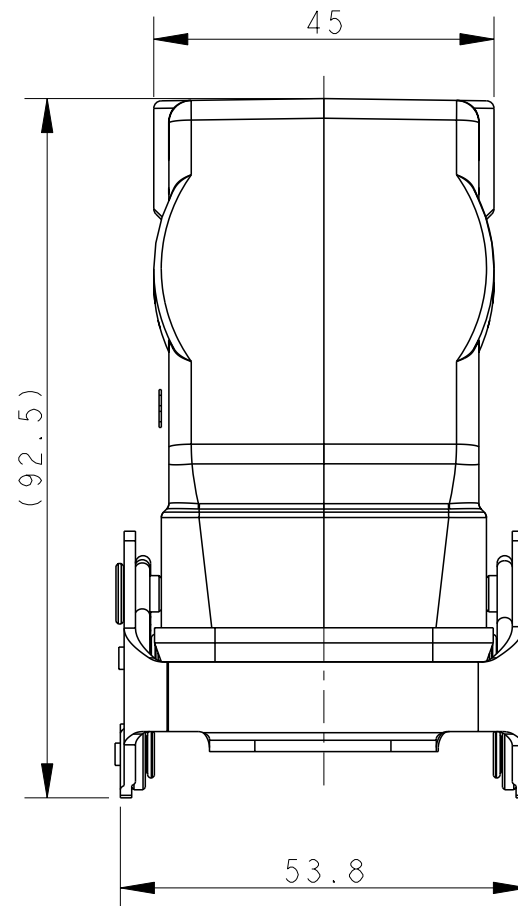
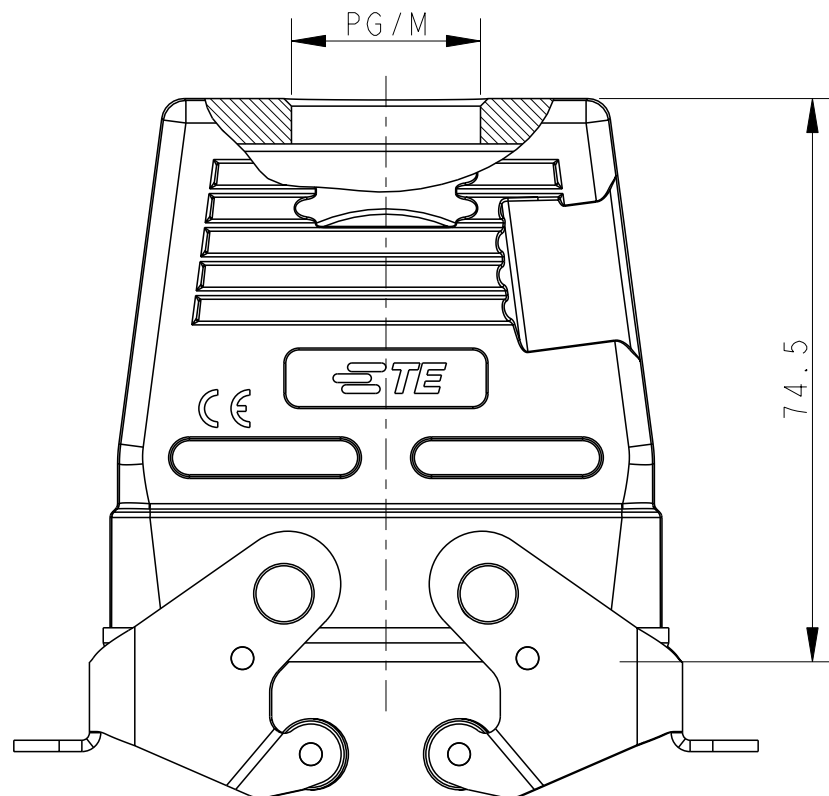
20

© COPYRIGHT 20 BY -

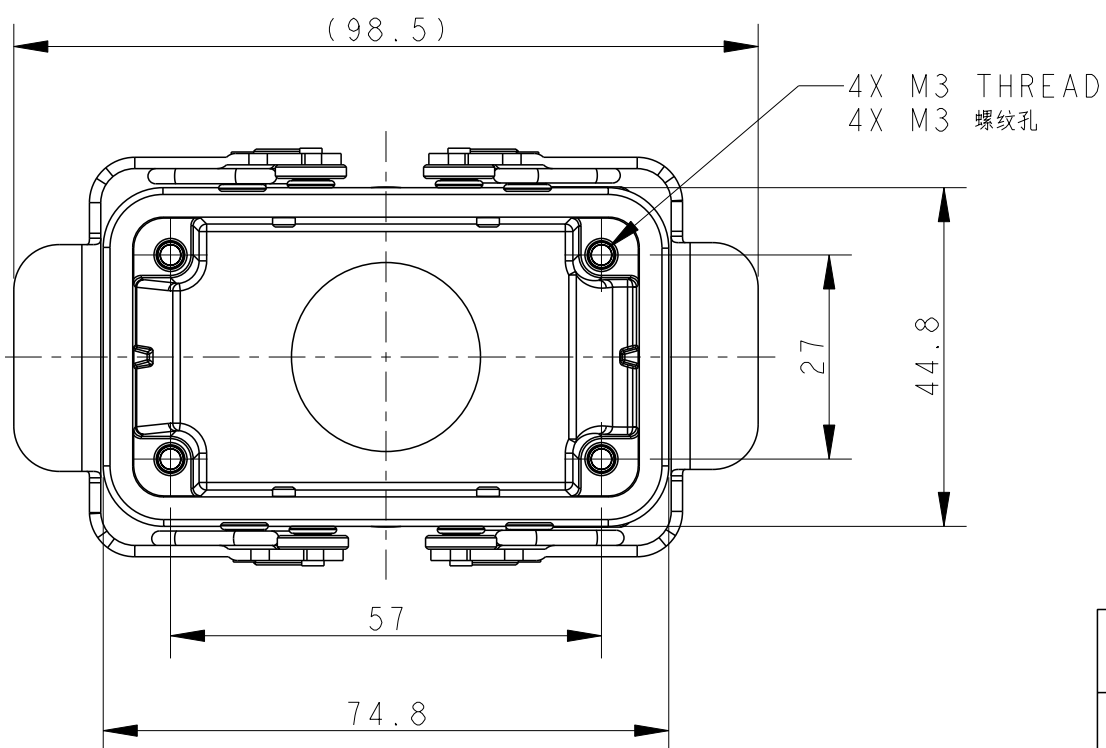
ALL RIGHTS RESERVED.

REVISIONS

P	LTR	DESCRIPTION	DATE	DWN	APVD
A		INITIAL RELEASE	08JUL2015	DL	CW
B		ECR-20-008181	28JUL2020	WQR	CW
BI		ECR-21-103925	07JUN2021	WQR	CW



SCALE 3:5




NOTES:

- 1. TECHNICAL CHARACTERISTICS:
 BODY MATERIAL: DIE CAST ALUMINIUM ALLOY
 SURFACE TREATMENT: POWDER-COATED, GRAY
 DEGREE OF PROTECTION: IP65 (MATED)

注释:

- 1. 技术参数:
 主体材料: 铝合金
 表面处理: 粉末喷涂, 灰色
 防护等级: IP65(配合)

T1750101121-000	H10B-TBFHS-PG21	PG21
T1750101125-000	H10B-TBFHS-M25	M25
T1750101129-000	H10B-TBFHS-PG29	PG29
T1750101132-000	H10B-TBFHS-M32	M32
ASSEMBLY PART NUMBER	ASSEMBLY PART DESCRIPTION	PG/M

THIS DRAWING IS A CONTROLLED DOCUMENT.		DWN 08JUL2015 DAVID LI	 TE Connectivity NAME H10B-TBFHS-PG/M	
DIMENSIONS: mm		CHK 08JUL2015 CHRIS WANG		
TOLERANCES UNLESS OTHERWISE SPECIFIED:		APVD 08JUL2015 XU XIANG		
0 PLC ±- 1 PLC ±- 2 PLC ±- 3 PLC ±- 4 PLC ±- ANGLES ±-		PRODUCT SPEC 108-137013		
MATERIAL TBD	FINISH -	APPLICATION SPEC 114-137013	WEIGHT -	SIZE A3
		CUSTOMER DRAWING	SCALE 1:1	SHEET 1 OF 1
				REV BI

printed on 17 Jun 2021 11:02 (China Standard Time) from TE343646

单击下面可查看定价，库存，交付和生命周期等信息

[>>TE Connectivity\(泰科\)](#)