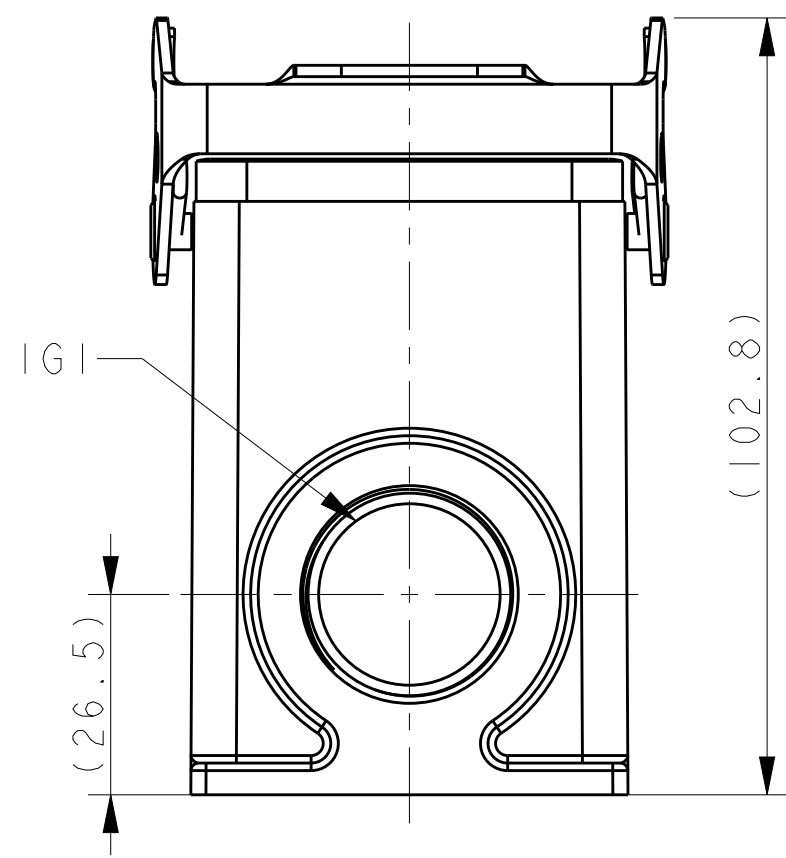
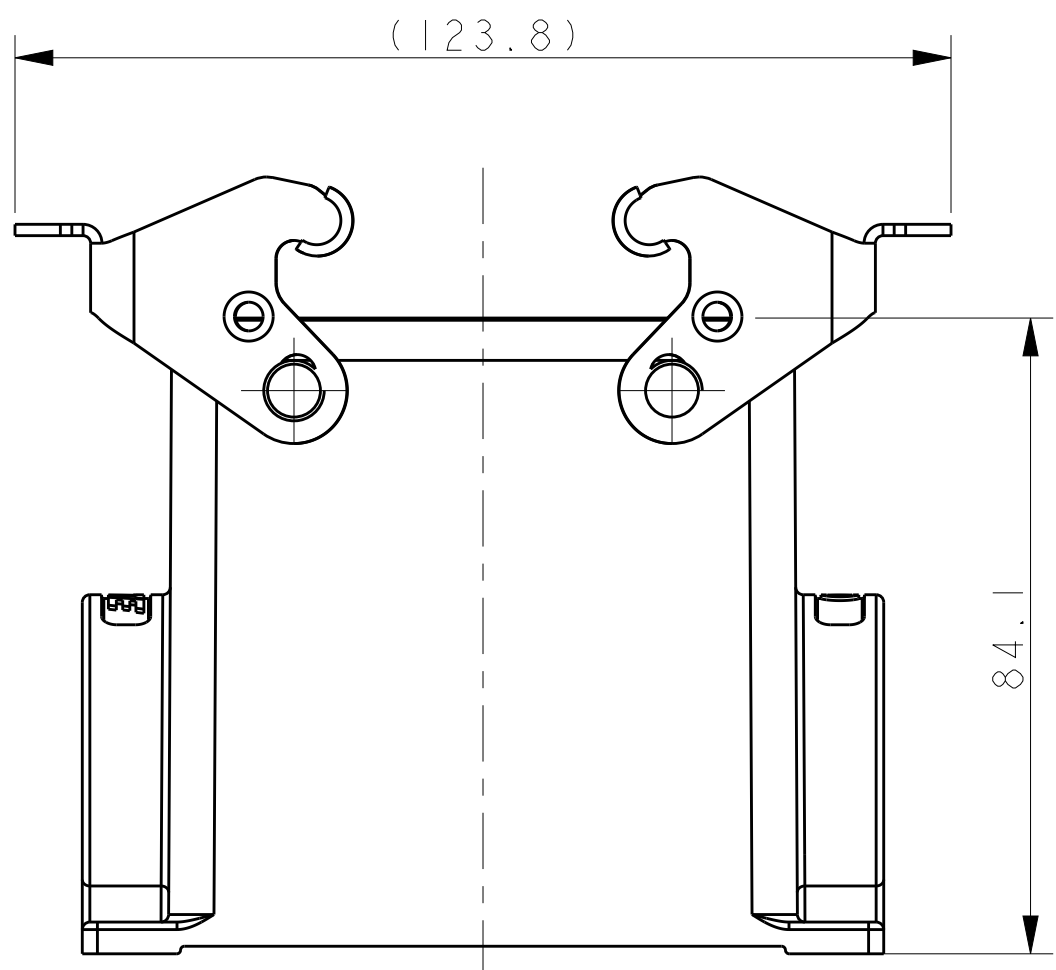
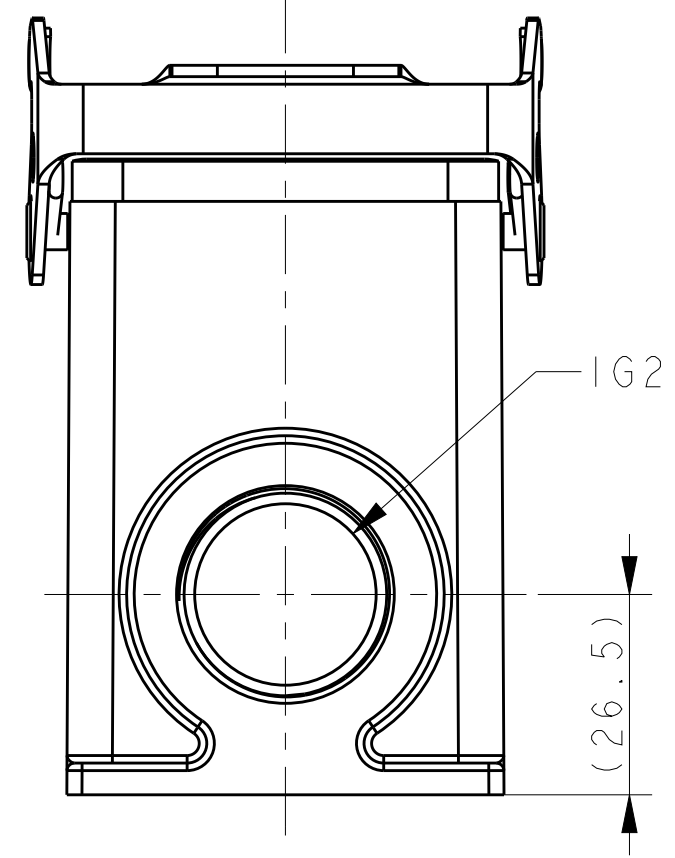
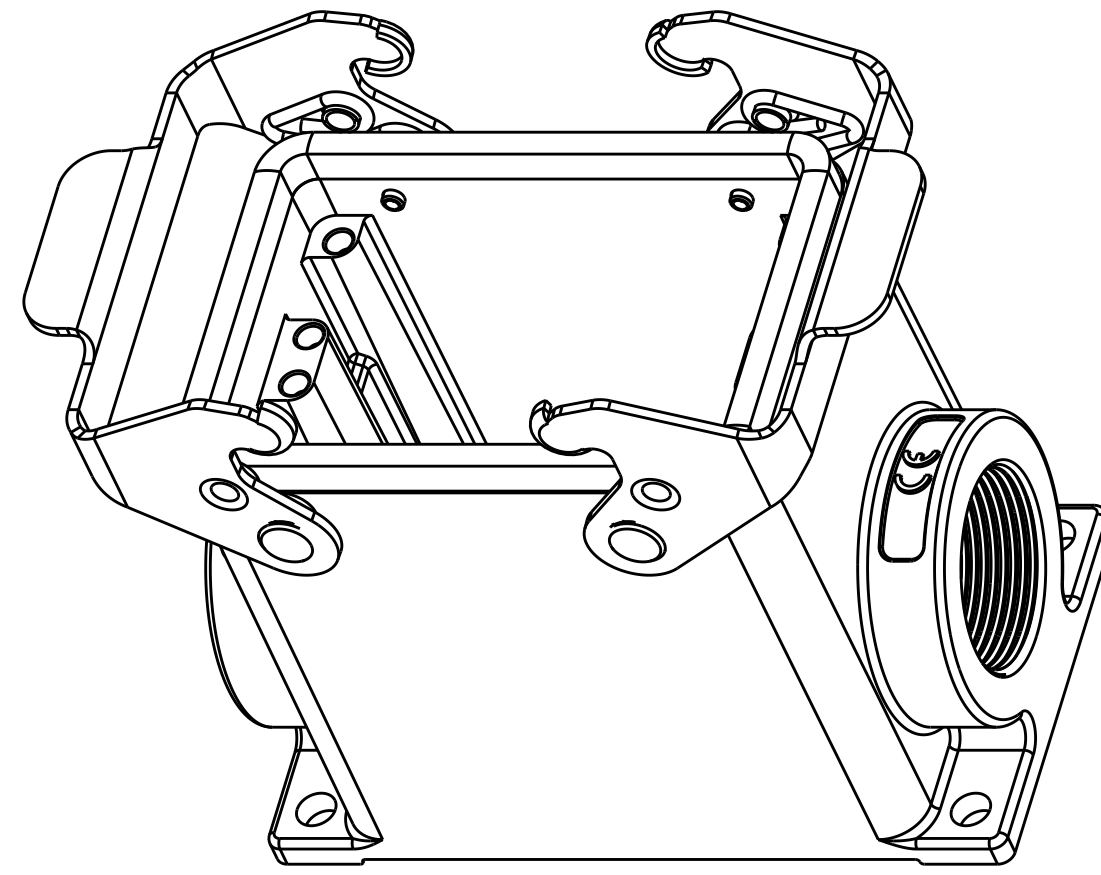
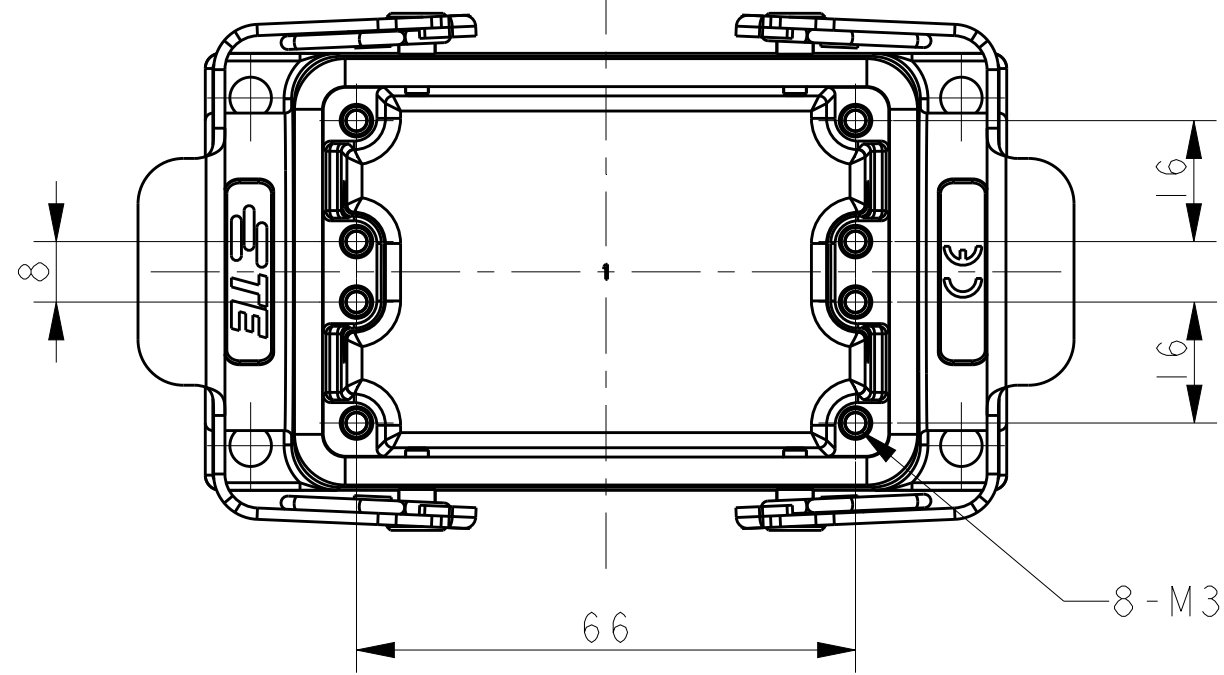


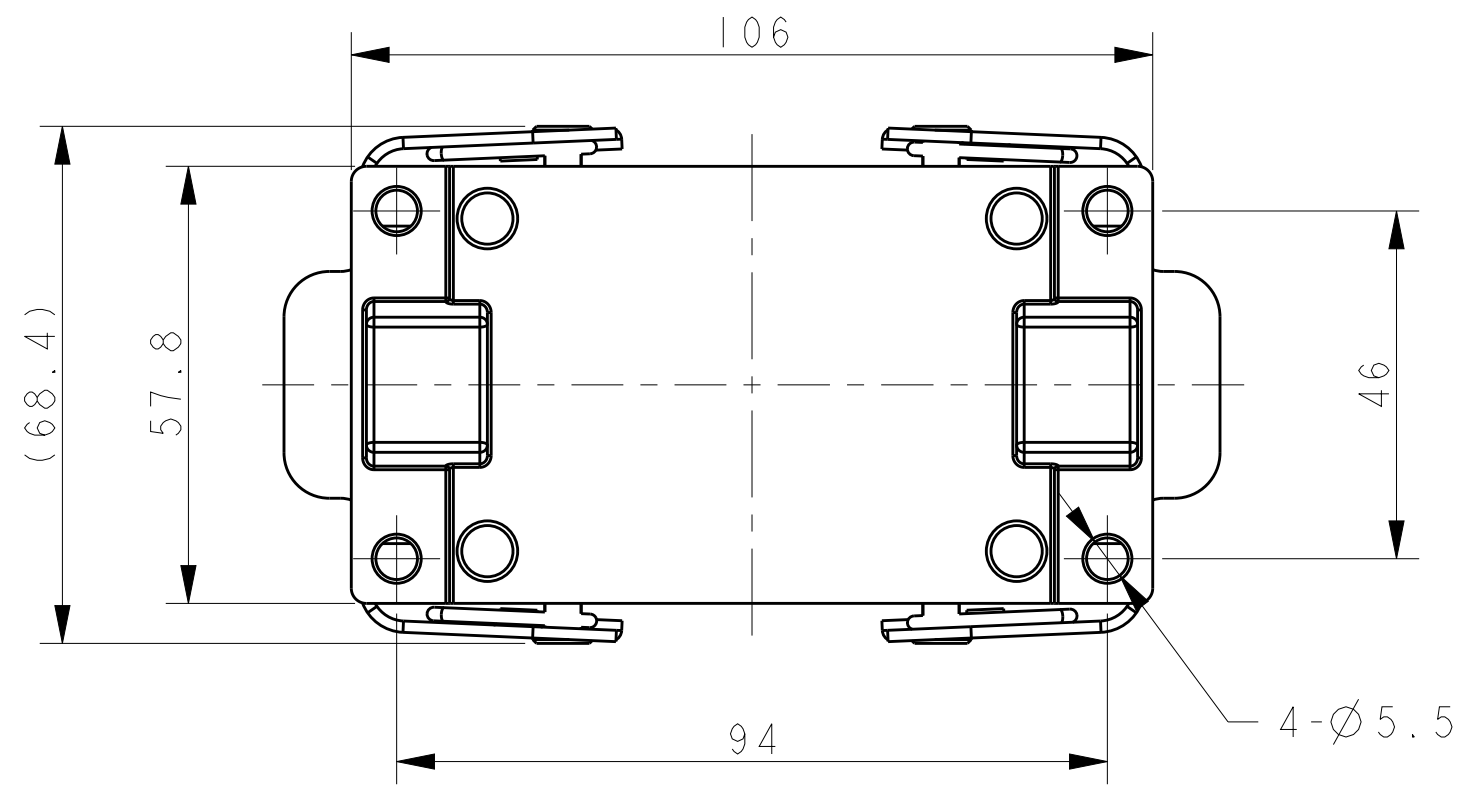
THIS DRAWING IS UNPUBLISHED. RELEASED FOR PUBLICATION 20  
 © COPYRIGHT 20 BY - ALL RIGHTS RESERVED.

REVISIONS				
P	LTR	DESCRIPTION	DATE	APVD
A		INITIAL RELEASE	11MAY2015	DL CW
AI		ECR-15-013439	11SEP2015	DL CW
B		ECR-20-010477	28DEC2020	BS CW



NOTES:  
 1. TECHNICAL CHARACTERISTICS:  
 BODY MATERIAL: DIE CAST ALUMINIUM ALLOY  
 SURFACE TREATMENT: POWDER-COATED, GRAY  
 DEGREE OF PROTECTION: IP65 (MATED)

注释:  
 1. 技术参数:  
 主体材料: 铝合金  
 表面处理: 粉末喷涂, 灰色  
 防护等级: IP65(配合)



T1449320121-000	H32A-SGR-PG21	PG21	-
T1449320125-000	H32A-SGR-M25	M25	-
T1449320129-000	H32A-SGR-PG29	PG29	-
T1449320132-000	H32A-SGR-M32	M32	-
T1449320221-000	H32A-SGR-2PG21	PG21	PG21
T1449320225-000	H32A-SGR-2M25	M25	M25
T1449320229-000	H32A-SGR-2PG29	PG29	PG29
T1449320232-000	H32A-SGR-2M32	M32	M32
ASSEMBLY PART NUMBER	ASSEMBLY PART DESCRIPTION	IG1	IG2

THIS DRAWING IS A CONTROLLED DOCUMENT.		DWN DAVID LI 11MAY2015	TE Connectivity			
		CHK CHRIS WANG 11MAY2015				
		APVD XU XIANG 11MAY2015				
		NAME H32A-SGR-PG/M				
DIMENSIONS: mm	TOLERANCES UNLESS OTHERWISE SPECIFIED:	PRODUCT SPEC 108-137010	SIZE A2	CAGE CODE -	DRAWING NO. C-T1449320XXX000	RESTRICTED TO
	0 PLC ±	APPLICATION SPEC 114-137010	SCALE 1:1	SHEET	OF	REV B
	1 PLC ±	WEIGHT -	CUSTOMER DRAWING			
	2 PLC ±					
	3 PLC ±					
	4 PLC ±					
	ANGLES ±					
	FINISH -					

单击下面可查看定价，库存，交付和生命周期等信息

[>>TE Connectivity\(泰科\)](#)