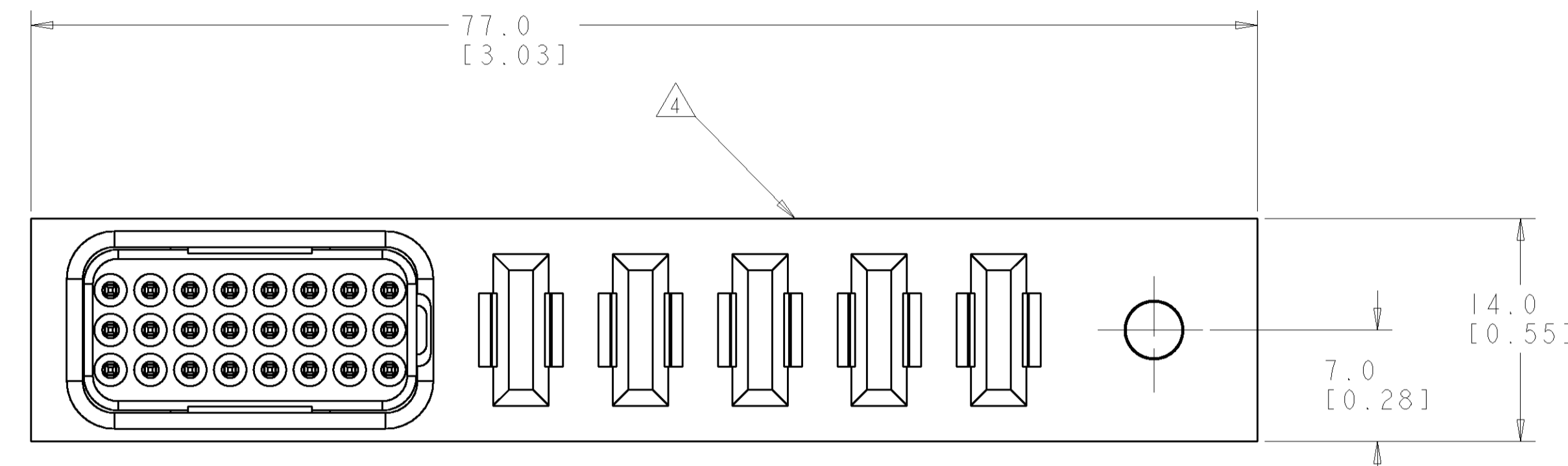


LOC		DIST		REVISONS			
GP	00	P	LTR	DESCRIPTION	DATE	DWN	APVD
		A		NEW RELEASE	19APR2007	RG	PD



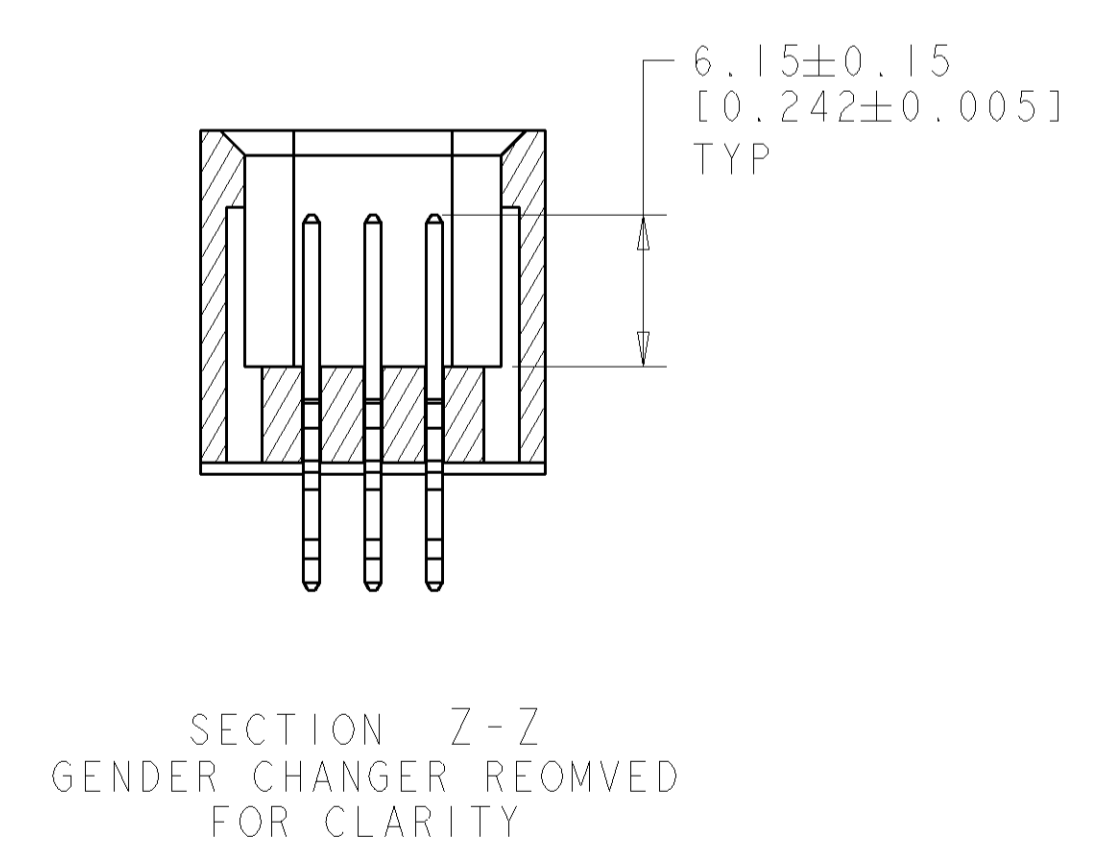
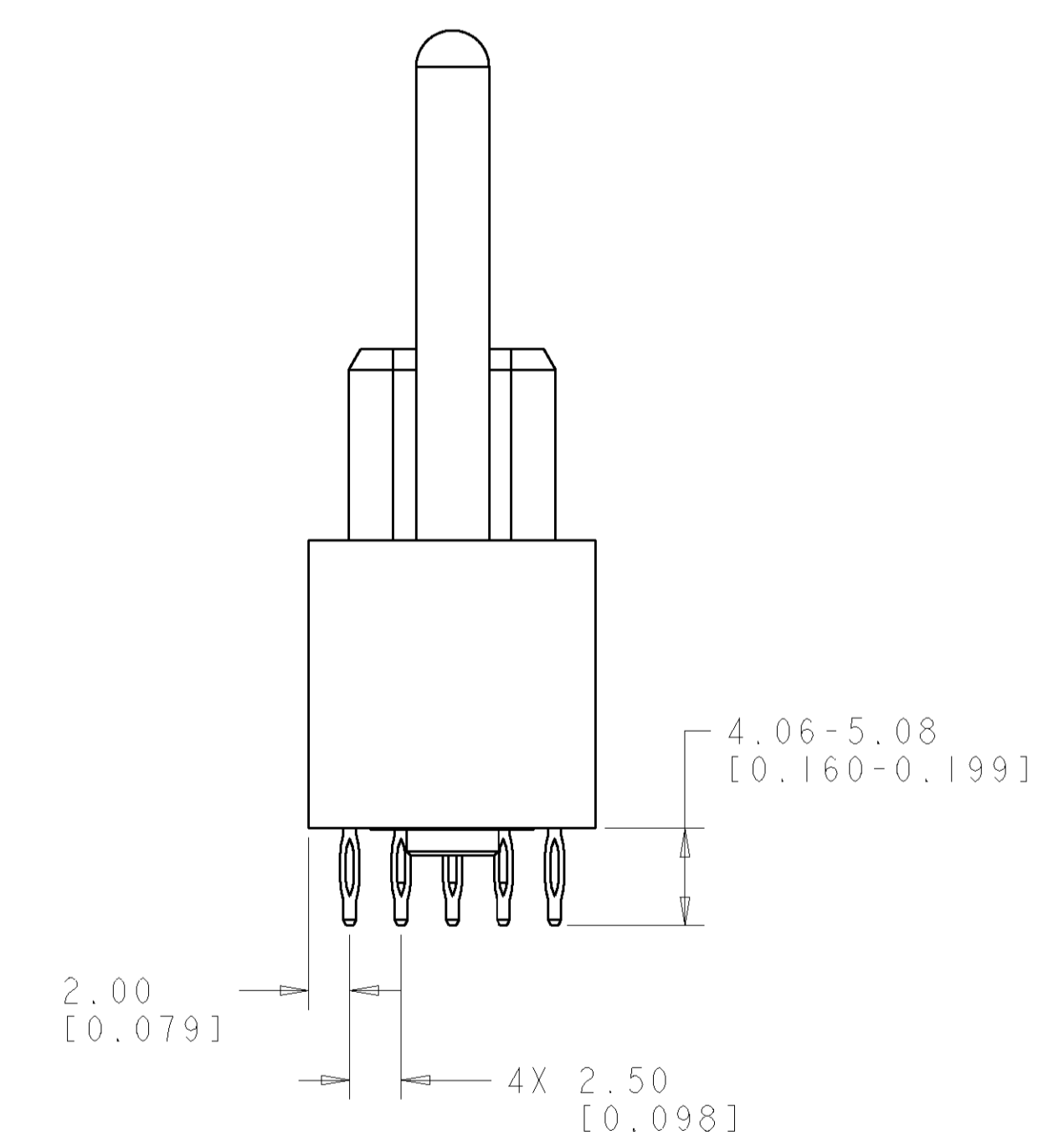
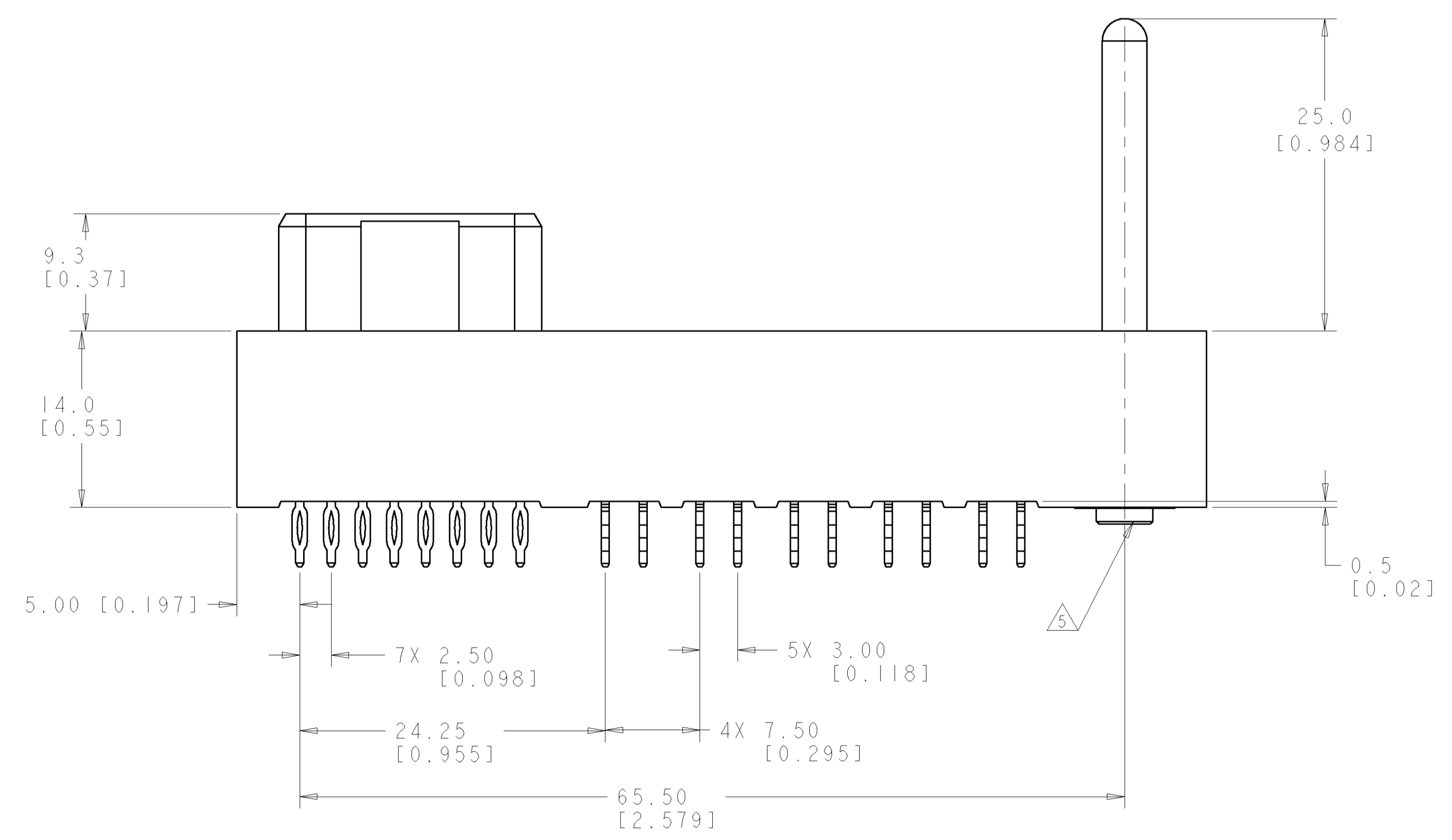
- PART NUMBER CHANGES AND OR DESIGN CHANGES AFFECTING ITEM INTERCHANGEABILITY REQUIRE PRIOR TYCO APPROVAL AND AUTHORIZATION BY REVISION TO THIS DRAWING.
- MATERIAL:
 - INSULATORS - THERMOPLASTIC, GLASS REINFORCED, COLOR: BLACK UL94V-0 FLAMMABILITY RATED.
 - POWER CONTACTS - PHOSPHOR BRONZE ALLOY, COPPER ALLOY
 - CROWN BANDS - BERYLLIUM COPPER ALLOY
 - SIGNAL CONTACTS - PHOSPHOR BRONZE ALLOY
 - GUIDE PIN: TELLURIUM COPPER ALLOY
- FINISH:
 - CONTACTS - GOLD PLATE 0.76µM MIN. THK., OVER NICKEL 1.27µM MIN. THK.
 - COMPLAINT TAILS TIN/LEAD, 1.02µM MIN. THK. OVER NICKEL 1.27µM MIN THK.
 - GUIDE PIN - SILVER PLATE 5.08µM MIN THK. OVER NICKEL 1.02µM MIN THK.

△ ITEMS PROVIDED TO THIS SPECIFICATION TO BE PERMANENTLY IDENTIFIED PER THE FOLLOWING IDENTIFIER LABEL

YEAR WEEK

TYCO PART NO. DATE CODE (e.g. 0106)
 XXXXXXXX-X XXXX

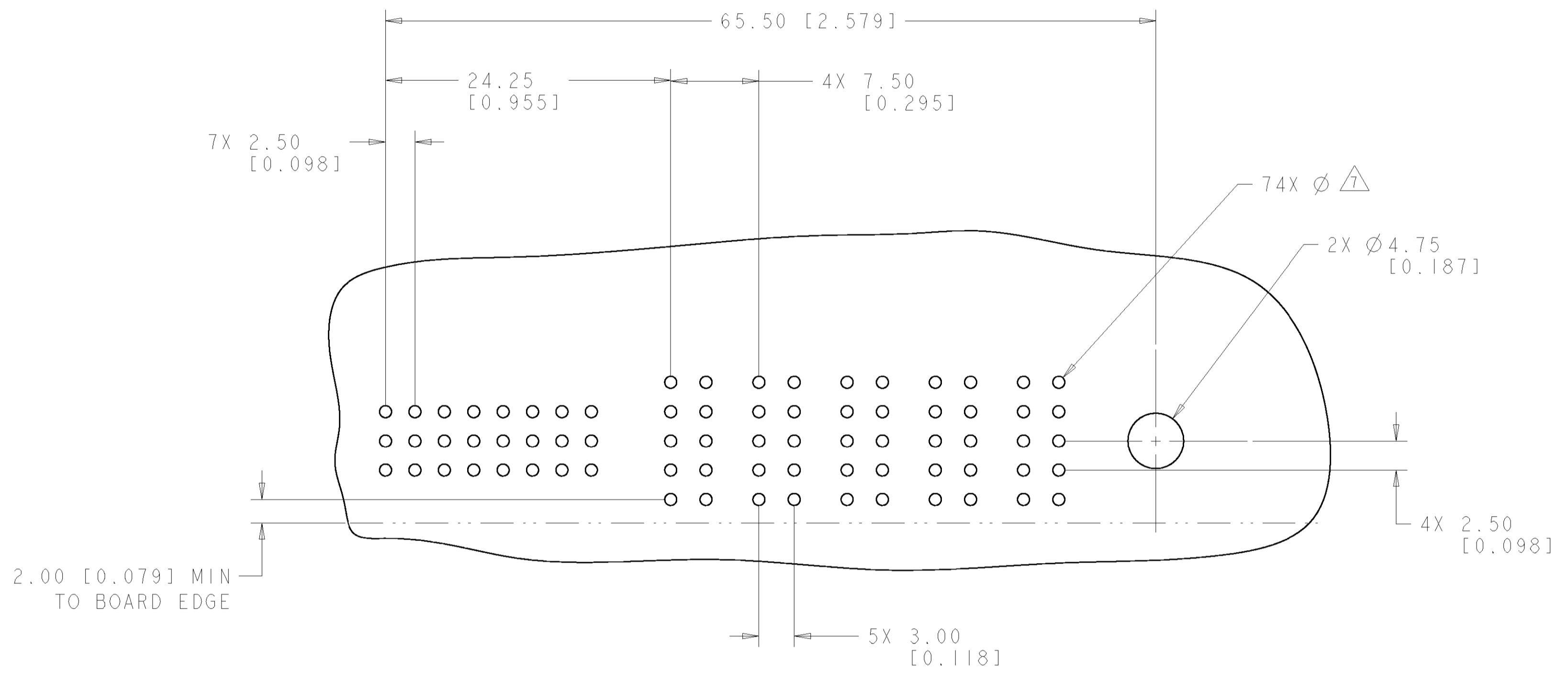
△ ACTIVATED GUIDE PIN ACCEPTS #4-40 SCREWS (USER SUPPLIED).



ELCON FLATPAQ

AS SHOWN		1646571-1	
DESCRIPTION		PART NUMBER	
DIMENSIONS: mm TOLERANCES UNLESS OTHERWISE SPECIFIED: 0 PLC ± 1 PLC ±.3 (.012) 2 PLC ±.15 (.006) 3 PLC ± 4 PLC ± ANGLES ±.5 FINISH		DWN R. GRZYBOWSKI 19APR2007 CHK P. DAMATO 19APR2007 APVD S. FLICKINGER 19APR2007 PRODUCT SPEC APPLICATION SPEC WEIGHT CUSTOMER DRAWING	
Tyco Electronics Harrisburg, PA 17105-3608		NAME: SOCKET CONNECTOR STRAIGHT, COMPLIANT TAIL FLATPAQ SIZE: A 00779 C=1646571 SCALE: 3:1 SHEET 1 OF 3 REV A	

LOC	DIST	REVISIONS			
P	LTR	DESCRIPTION	DATE	DWN	APVD
-	-	SEE SHEET 1	-	-	-

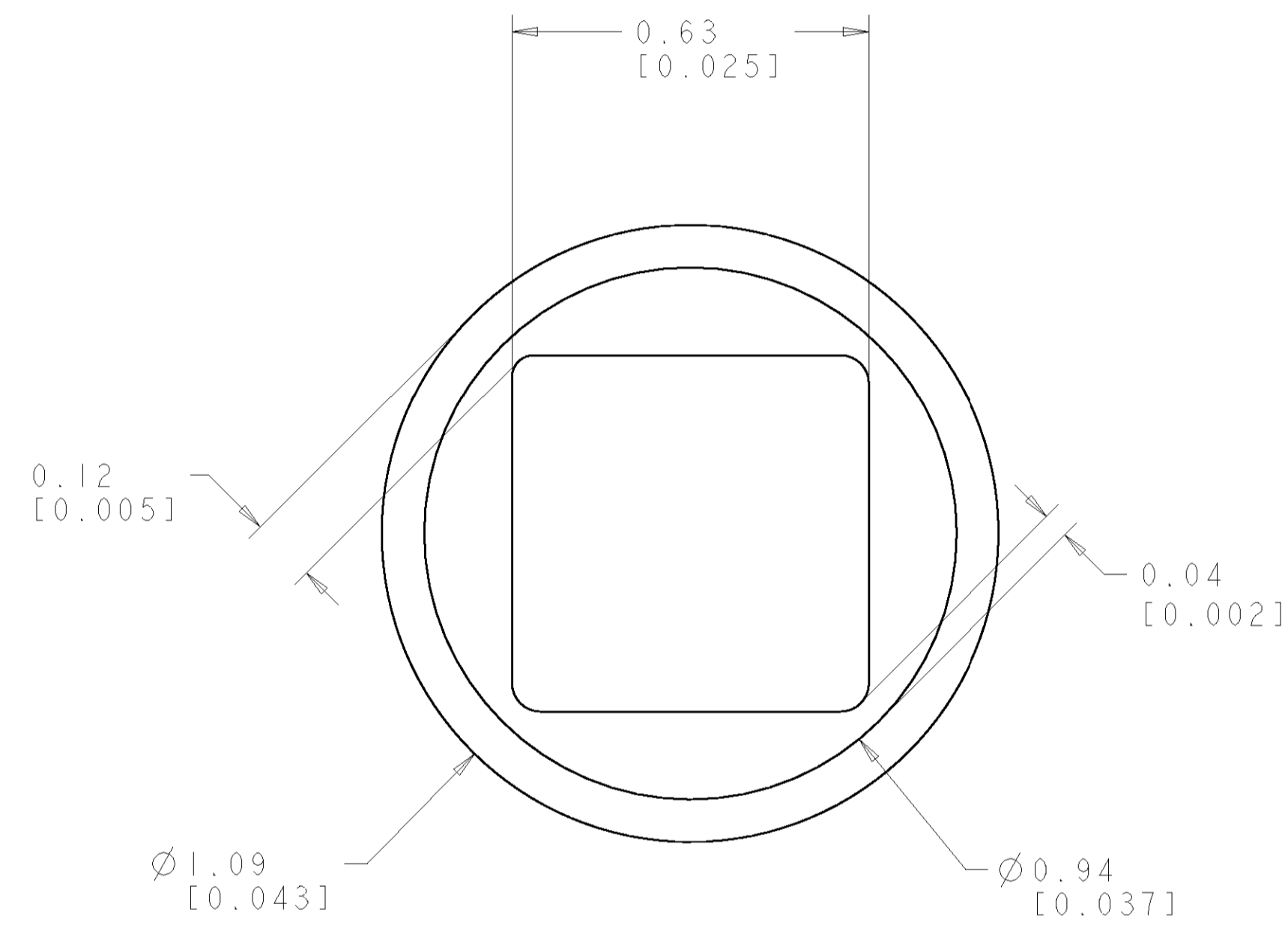
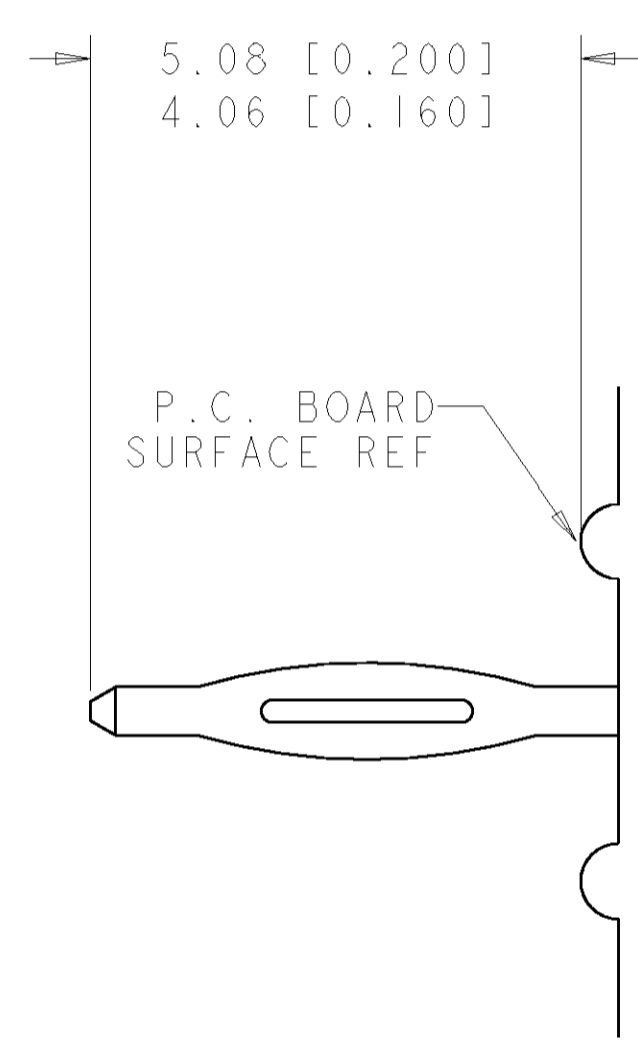


PRINTED CIRCUIT LAYOUT

CONNECTOR	CATALOG MODULE #	QTY	SIZE NO.	CONTACT QTY	MATING PIN	MAX. CURRENT (PER CONTACT)	CONTACT SPACING	VOLTAGE RATING
SOCKET	DEDICATED HOUSING	1	8	5	1.25 X 7.00 [.049 X .276]	35 amps	7.50 [.2953]	250
			22	24	.64 [.025] SQ.	3 amps	2.50 [.0984]	125 VOLTS

<small>THE DIMENSIONS IN THIS DRAWING ARE UNLESS OTHERWISE SPECIFIED TO THE DIMENSIONS OF THE PARTS MANUFACTURED BY THE ORGANIZATION NAMED BY CONTACT FOR THE LATEST POSITION.</small>		DWN: B. GRZYBOWSKI 19APR2007 CHK: P. DAMATO 19APR2007 APVD: S. FLICKINGER 19APR2007	Tyco Electronics Harrisburg, PA 17105-3608
DIMENSIONS: mm: 0 PLC ±.3 [.012] 1 PLC ±.3 [.012] 2 PLC ±.15 [.006] 3 PLC ±. 4 PLC ±. ANGLES ±.5	TOLERANCES UNLESS OTHERWISE SPECIFIED: DIMENSIONS: ±. HOLE DIA: ±. FINISH: ±.5	NAME: SOCKET CONNECTOR STRAIGHT, COMPLIANT TAIL FLATPAQ PRODUCT SPEC: APPLICATION SPEC: WEIGHT: CUSTOMER DRAWING	SIZE: A 00779 C=1646571 SCALE: 3:1 SHEET 2 OF 3 REV A

LOC	DIST	REVISIONS					
		P.	LTR	DESCRIPTION	DATE	DWN	APVD
GP	00	-	-	SEE SHEET 1	-	-	-



6. COMPLIANT PIN DETAIL
 SCALE 10 : 1
 INSERTION/EXTRACTION FORCES
 MAXIMUM PUSH IN: 133.3N [30 LBS] PER PIN
 MINIMUM PUSH OUT: 44.4N [10 LBS] PER PIN

△ SOLDER TERMINATION AREA
 SCALE 40:1
 RECOMMENDED PRINTED CIRCUIT SOLDER HOLE
 COMPLIANT PRESS FIT
 DRILLED HOLE: Ø1.15 [0.0453] ±.013 [0.0005]
 COPPER PLATE: .025 [0.0010] MIN (PER SIDE)
 TIN PLATE: .0005 [0.000020] MIN. (PER SURFACE)

<small>THIS DRAWING IS UNPUBLISHED. RELEASED FOR PUBLICATION. ALL RIGHTS RESERVED. THIS DRAWING IS THE PROPERTY OF TYCO ELECTRONICS CORPORATION. IT IS TO BE USED ONLY FOR THE SPECIFIC PROJECT AND ORGANIZATION FOR WHICH IT WAS PREPARED. IT IS NOT TO BE REPRODUCED OR DISTRIBUTED OUTSIDE OF THE COMPANY WITHOUT THE WRITTEN PERMISSION OF TYCO ELECTRONICS CORPORATION.</small>		DWN: R. GRZYBOWSKI 19APR2007 CHK: P. DAMATO 19APR2007 APVD: S. FLICKINGER 19APR2007	Tyco Electronics Harrisburg, PA 17105-3608
DIMENSIONS: mm 	TOLERANCES UNLESS OTHERWISE SPECIFIED: 0 PLC ±.3 [0.12] 1 PLC ±.3 [0.12] 2 PLC ±.15 [0.006] 3 PLC ±.15 [0.006] 4 PLC ±.15 [0.006] ANGLES ±.5 FINISH -	NAME: SOCKET CONNECTOR STRAIGHT, COMPLIANT TAIL FLATPAQ PRODUCT SPEC - APPLICATION SPEC - WEIGHT - CUSTOMER DRAWING	SIZE: A 00779 C=1646571 SCALE: 3:1 SHEET 3 OF 3 REV A

单击下面可查看定价，库存，交付和生命周期等信息

[>>TE Connectivity\(泰科\)](#)