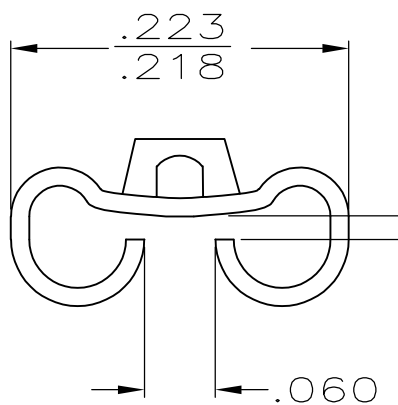
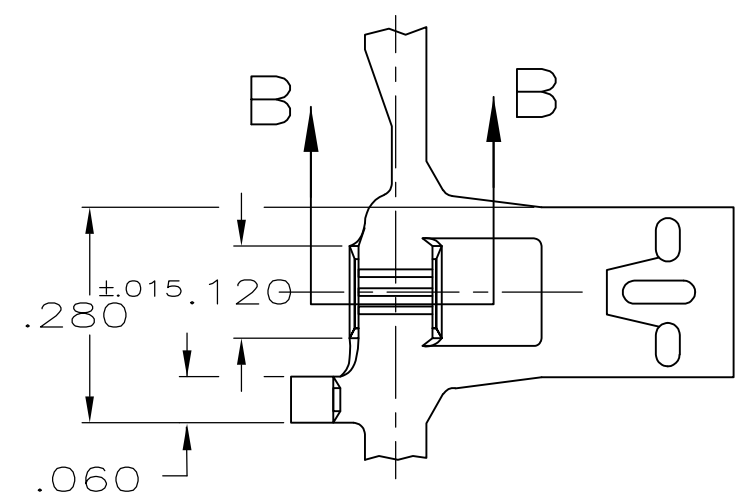


THIS DRAWING IS UNPUBLISHED. RELEASED FOR PUBLICATION  
 © COPYRIGHT - By - ALL RIGHTS RESERVED.

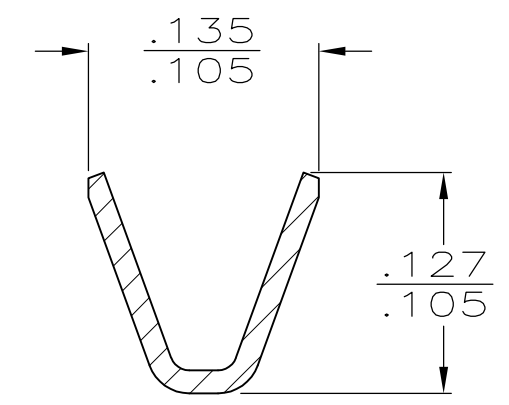
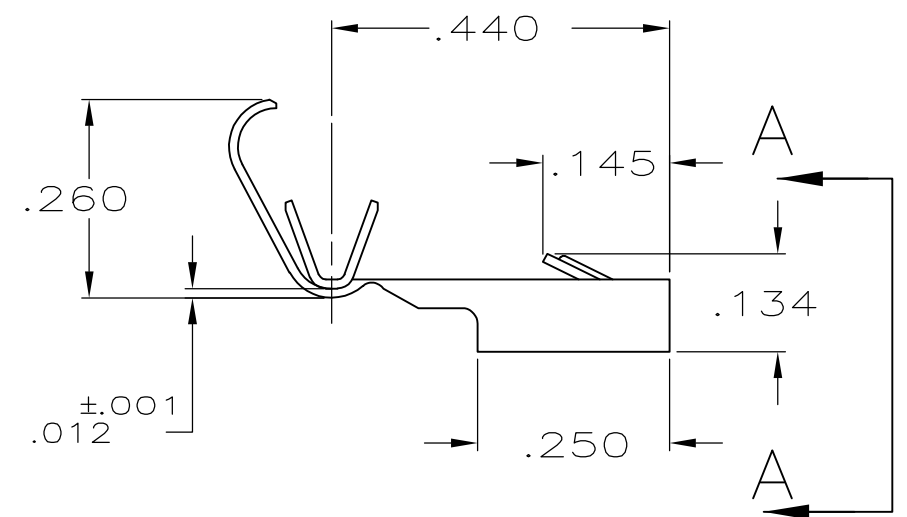
LOC	DIST	REVISIONS					
AF	50	P	LTR	DESCRIPTION	DATE	DWN	APVD
		D		REVISED PER ECR-13-005733	26AUG2013	KH	PD



VIEW A-A  
SCALE 8:1

1 CONTINUOUS STRIP ON REEL

FITS .187 SERIES  
FASTON™ TAB



SECTION B-B  
SCALE 8:1

.060-.110	20-16	.020	63509-1
INSULATION RANGE	WIRE SIZE	MATING TAB THK ±.001	PART NO

0	.140	.188	F	.090	.057	16
					.050	18
					.045	20
TYPE	WIDTH	STRIP LENGTH ±.015	TYPE	WIDTH	±.002 HEIGHT	WIRE
INSUL BARREL CRIMP	WIRE BARREL CRIMP					

THIS DRAWING IS A CONTROLLED DOCUMENT.

DIMENSIONS: INCHES

TOLERANCES UNLESS OTHERWISE SPECIFIED:

0 PLC	± -
1 PLC	± -
2 PLC	± -
3 PLC	± .010
4 PLC	± -
ANGLES	± -

MATERIAL: BRASS

FINISH: PRE-TIN .000030 MIN

DWN: JR RUTH 8/5/88  
 CHK: MS FEHER 8/5/88  
 APVD: J GILLESPIE 8/5/88

**STE** TE Connectivity

NAME: RECEPTACLE, FASTIN-FASTON, FLAG, .187 SERIES

PRODUCT SPEC: -  
 APPLICATION SPEC: -  
 WEIGHT: -

SIZE: A3 CAGE CODE: 00779 DRAWING NO: C-63509 RESTRICTED TO: -

CUSTOMER DRAWING SCALE: 4:1 SHEET: 1 OF 1 REV: D

单击下面可查看定价，库存，交付和生命周期等信息

[>>TE Connectivity\(泰科\)](#)