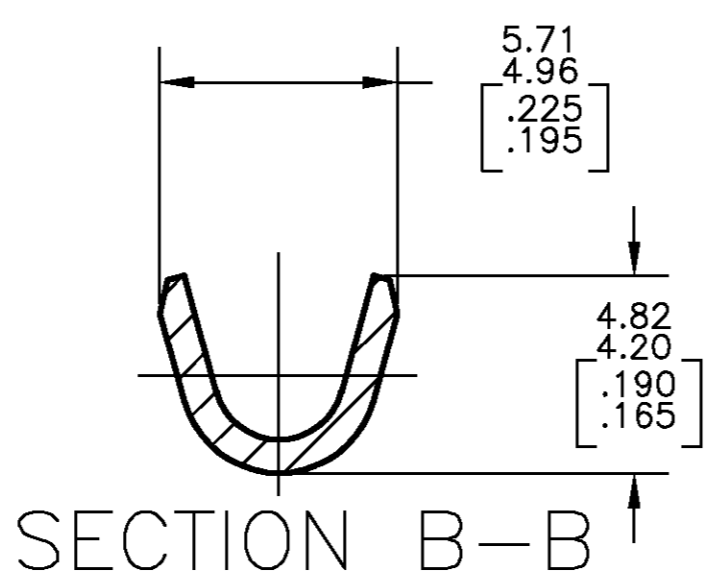
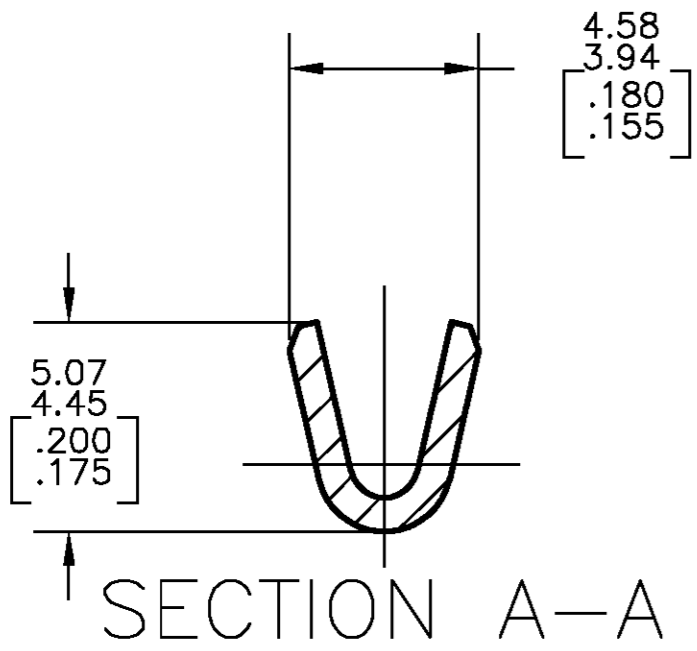
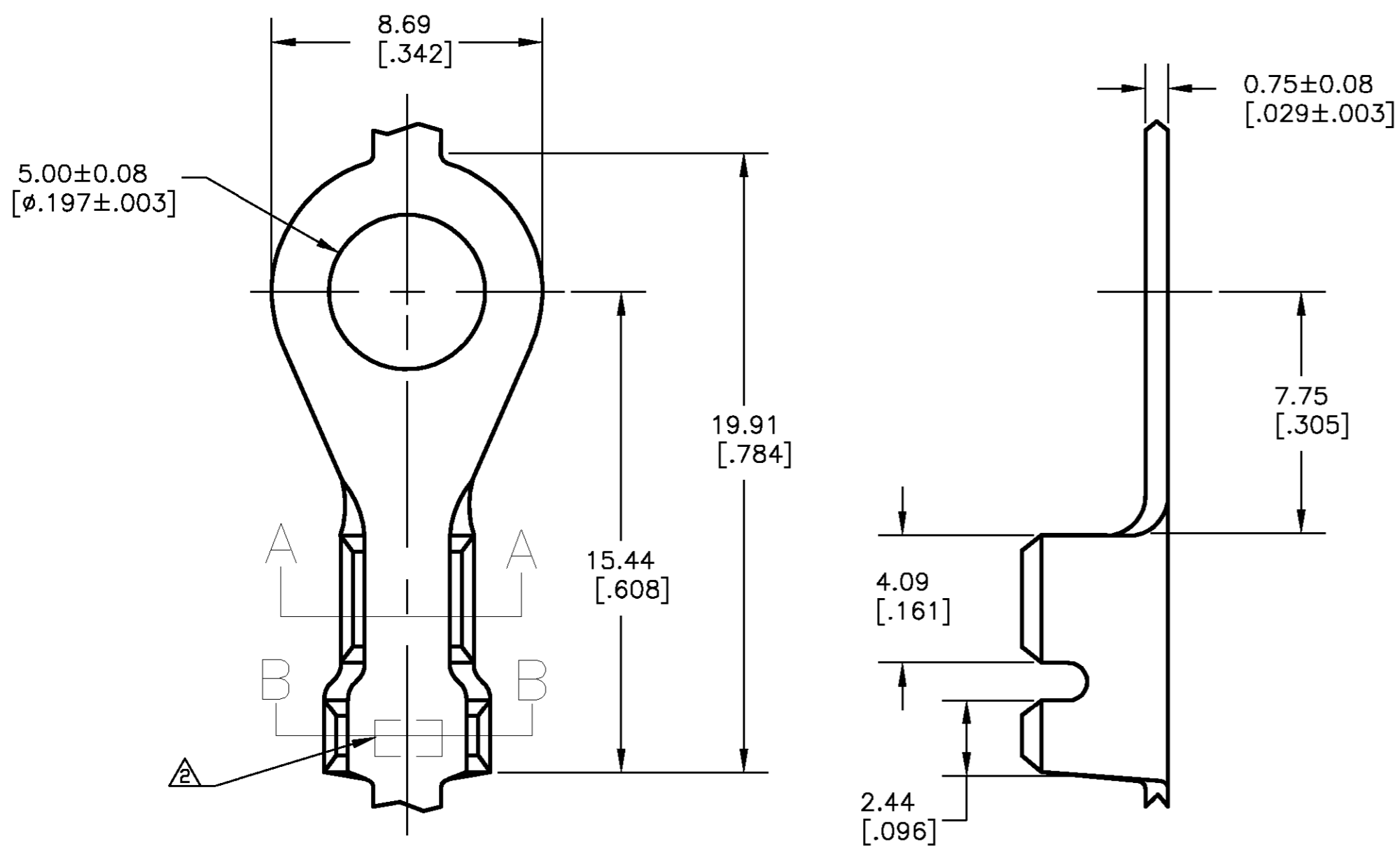


THIS DRAWING IS UNPUBLISHED. RELEASED FOR PUBLICATION  
 BY TYCO ELECTRONICS CORPORATION. ALL RIGHTS RESERVED.

LOC	DIST	REVISIONS			
P	LTR	DESCRIPTION	DATE	DWN	APVD
AF	50	W	REDRAWN PER OG3A-0198-01	04APR01	MF DD

- 1 CONTINUOUS STRIP ON REELS.
- 2 AMP STAMP.



0.8-2.0mm <sup>2</sup> [18-14] AWG	2.54-3.56 [.100-.140] DIA	40661
WIRE RANGE	INSULATION RANGE	PART NUMBER

THIS DRAWING IS A CONTROLLED DOCUMENT.		DWN MICHAEL S. FEHER 26JAN2001	Tyco Electronics Corporation Harrisburg, PA 17105	
DIMENSIONS: mm [ INCHES ]		CHK DONALD DECKER 04APR2001	NAME #10 STUD, TERMINAL, TONGUE, RING	
TOLERANCES UNLESS OTHERWISE SPECIFIED:		APVD DONALD DECKER 04APR2001	PRODUCT SPEC	
0 PLC ± -	1 PLC ± -	APPLICATION SPEC	SIZE A2	CAGE CODE 00779
2 PLC ± 0.25[.010]	3 PLC ± -	WEIGHT	DRAWING NO 40661	RESTRICTED TO
4 PLC ± -	ANGLES ± 1°	MATERIAL 082 BRASS	SCALE 6:1	SHEET 1 OF 1
FINISH		CUSTOMER DRAWING		REV W

40661

单击下面可查看定价，库存，交付和生命周期等信息

[>>TE Connectivity\(泰科\)](#)