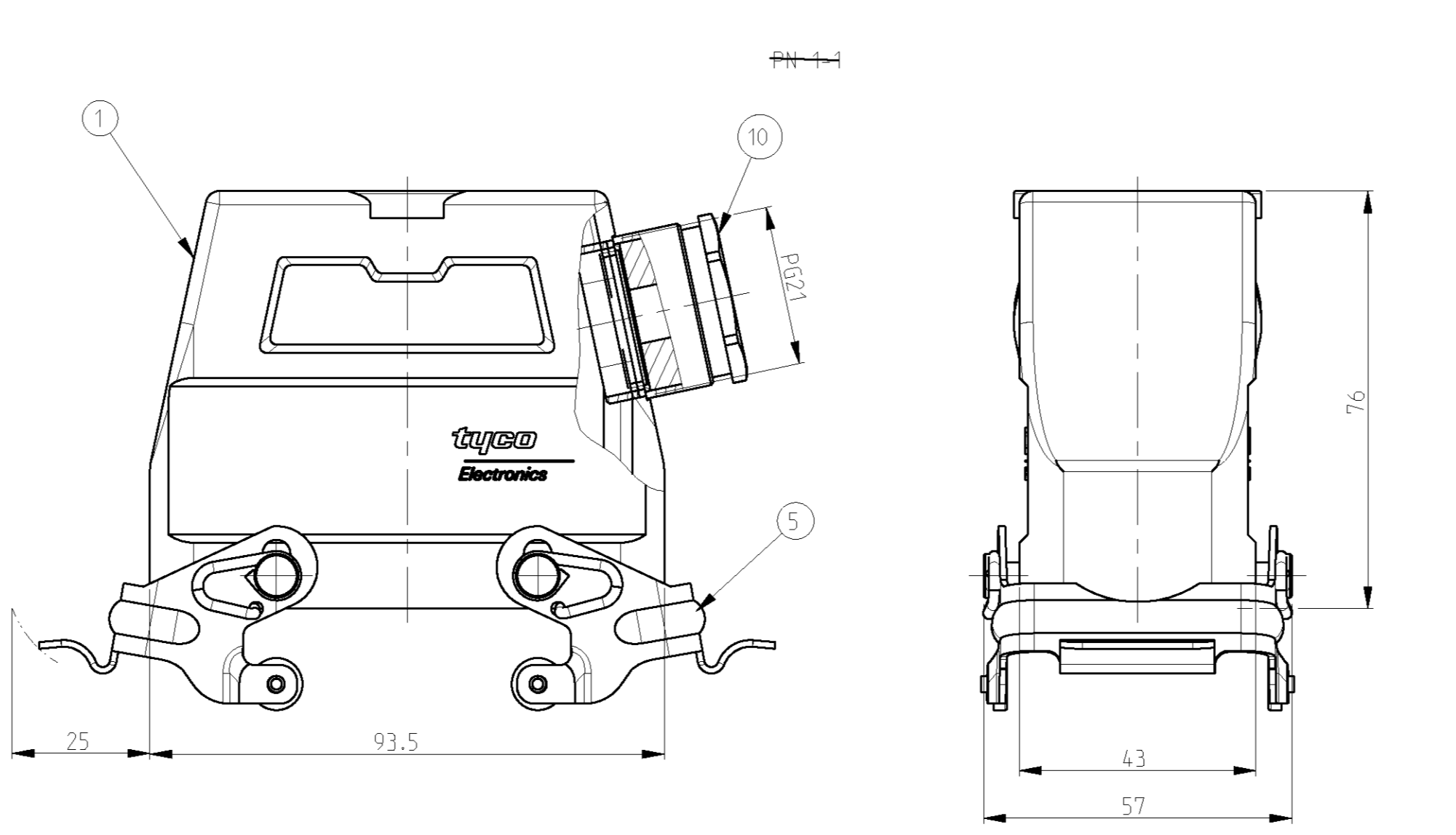
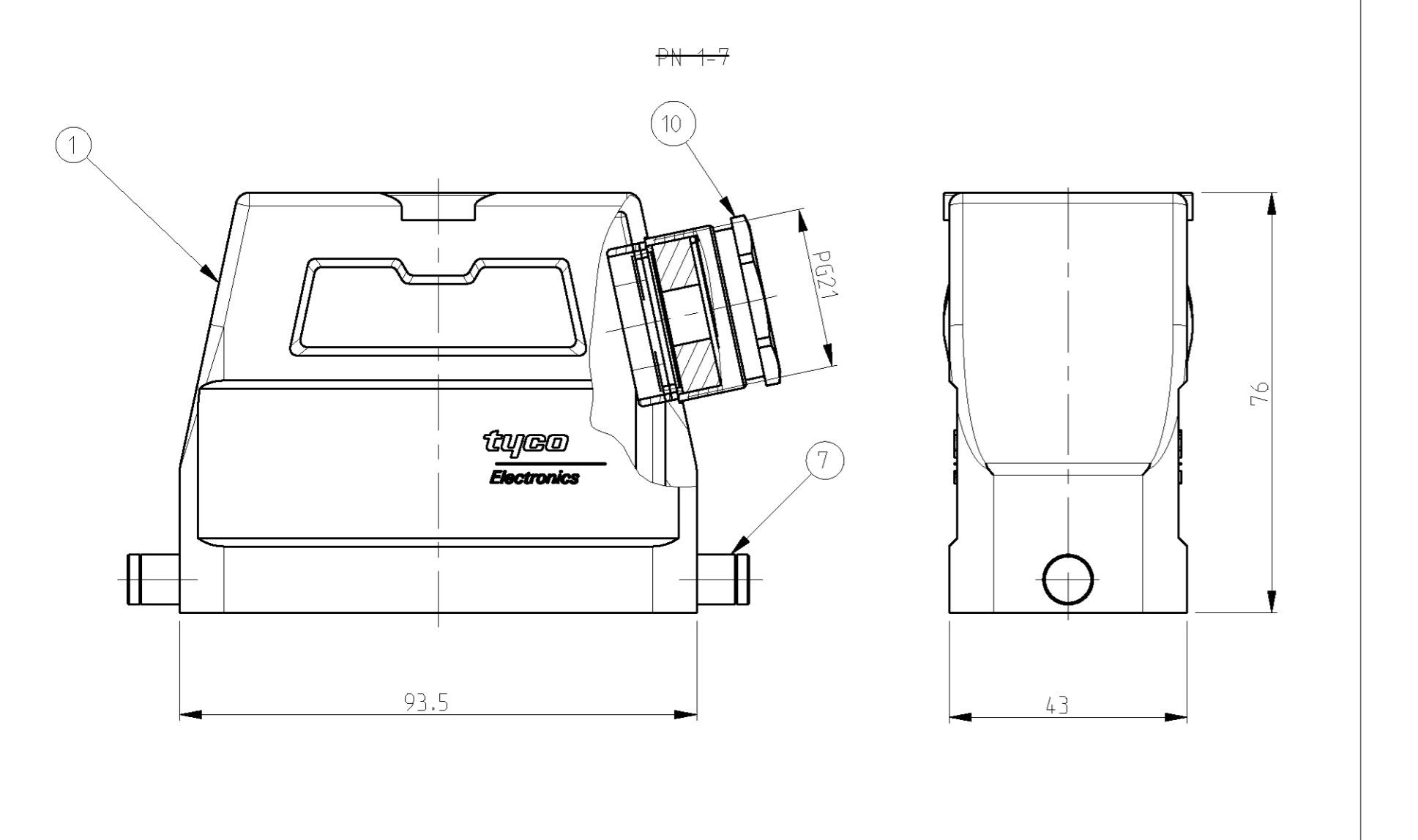
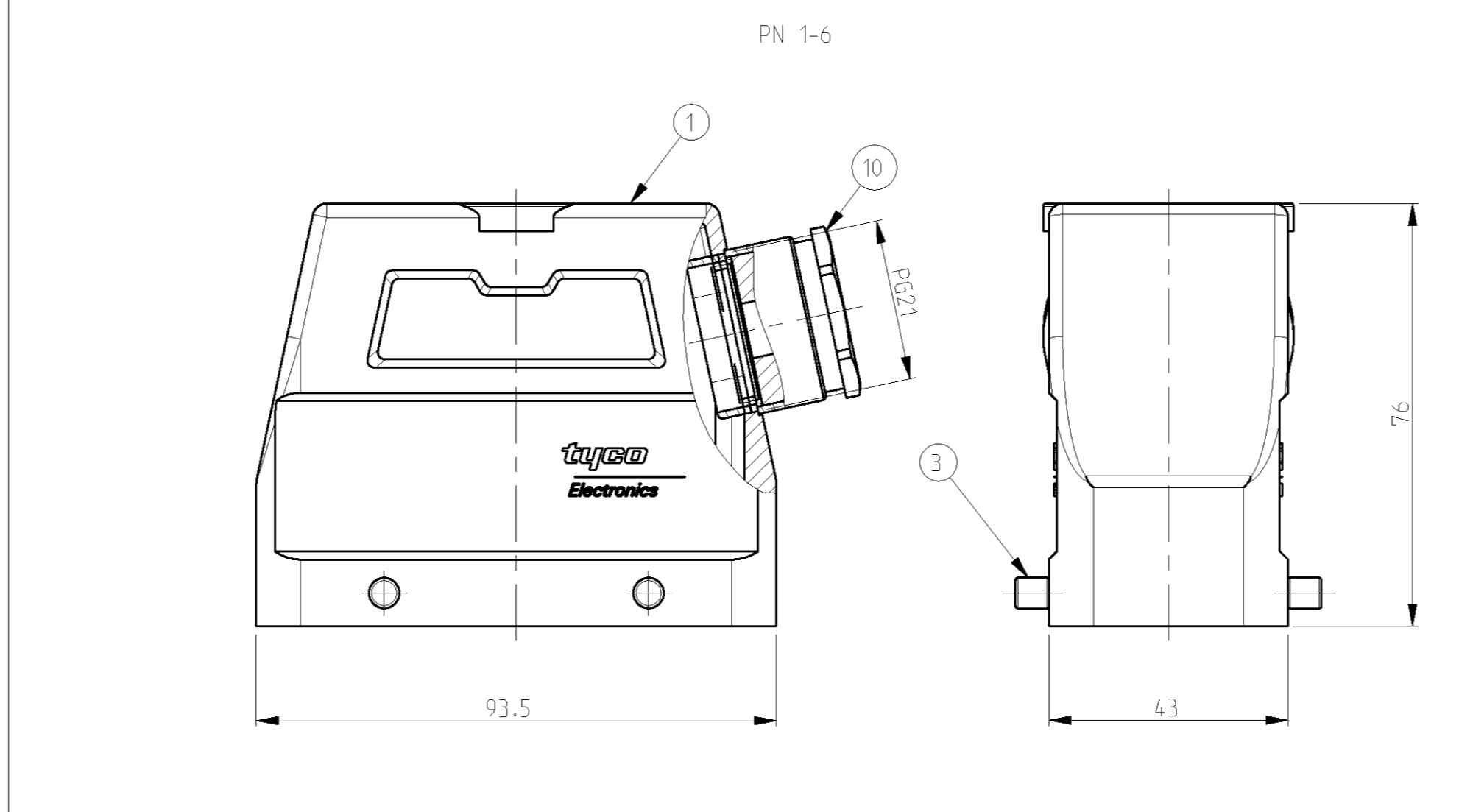
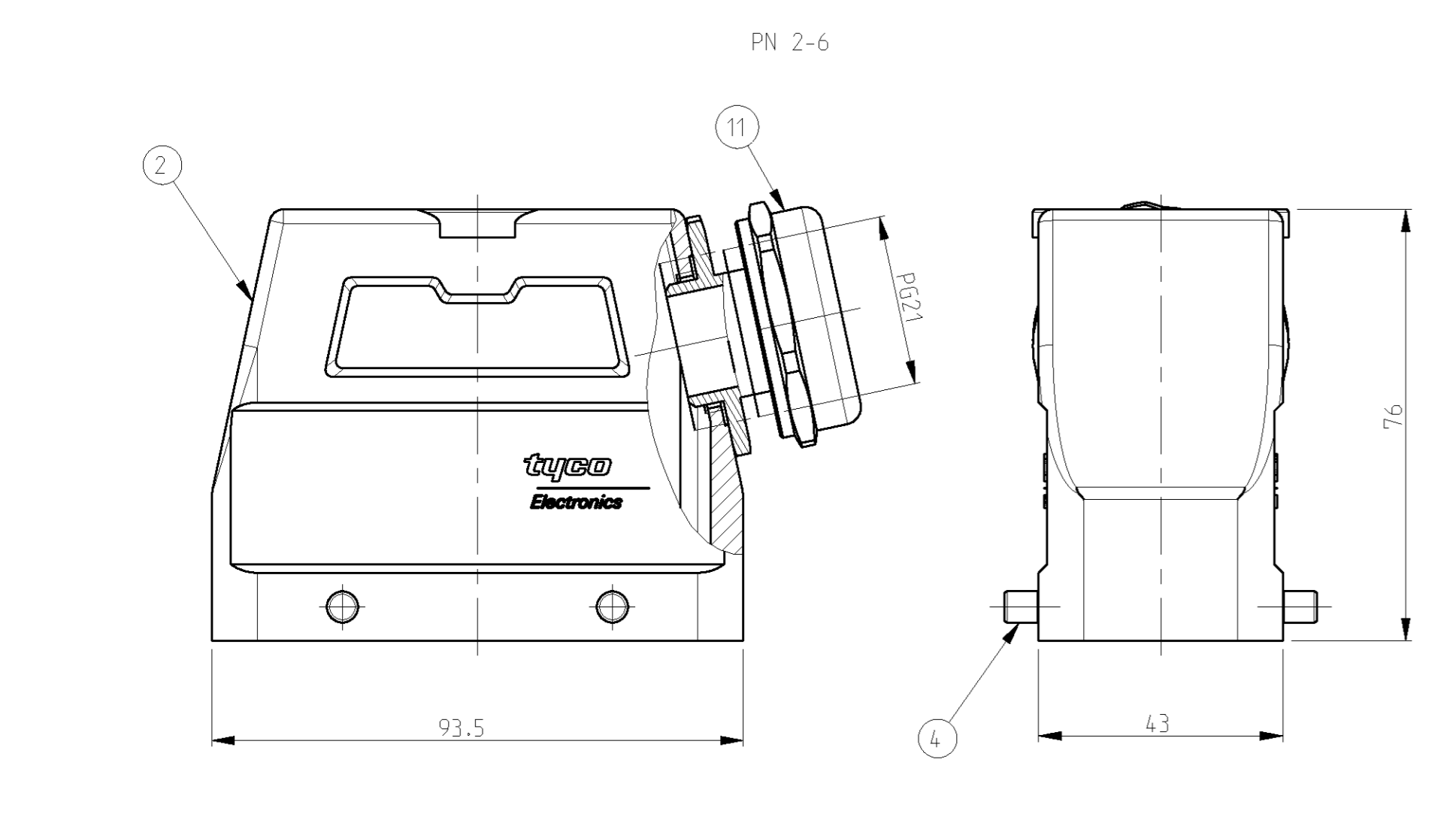
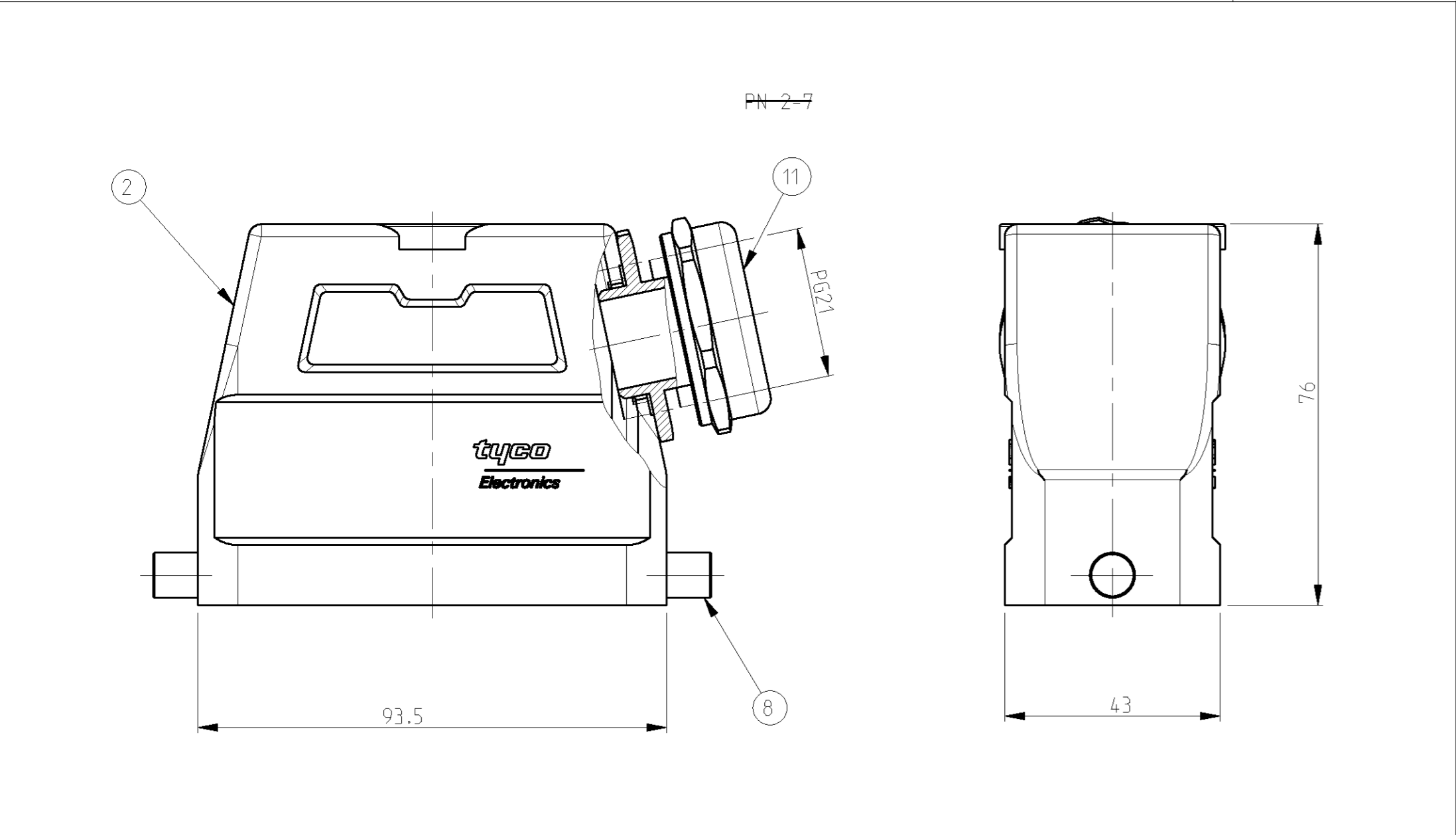
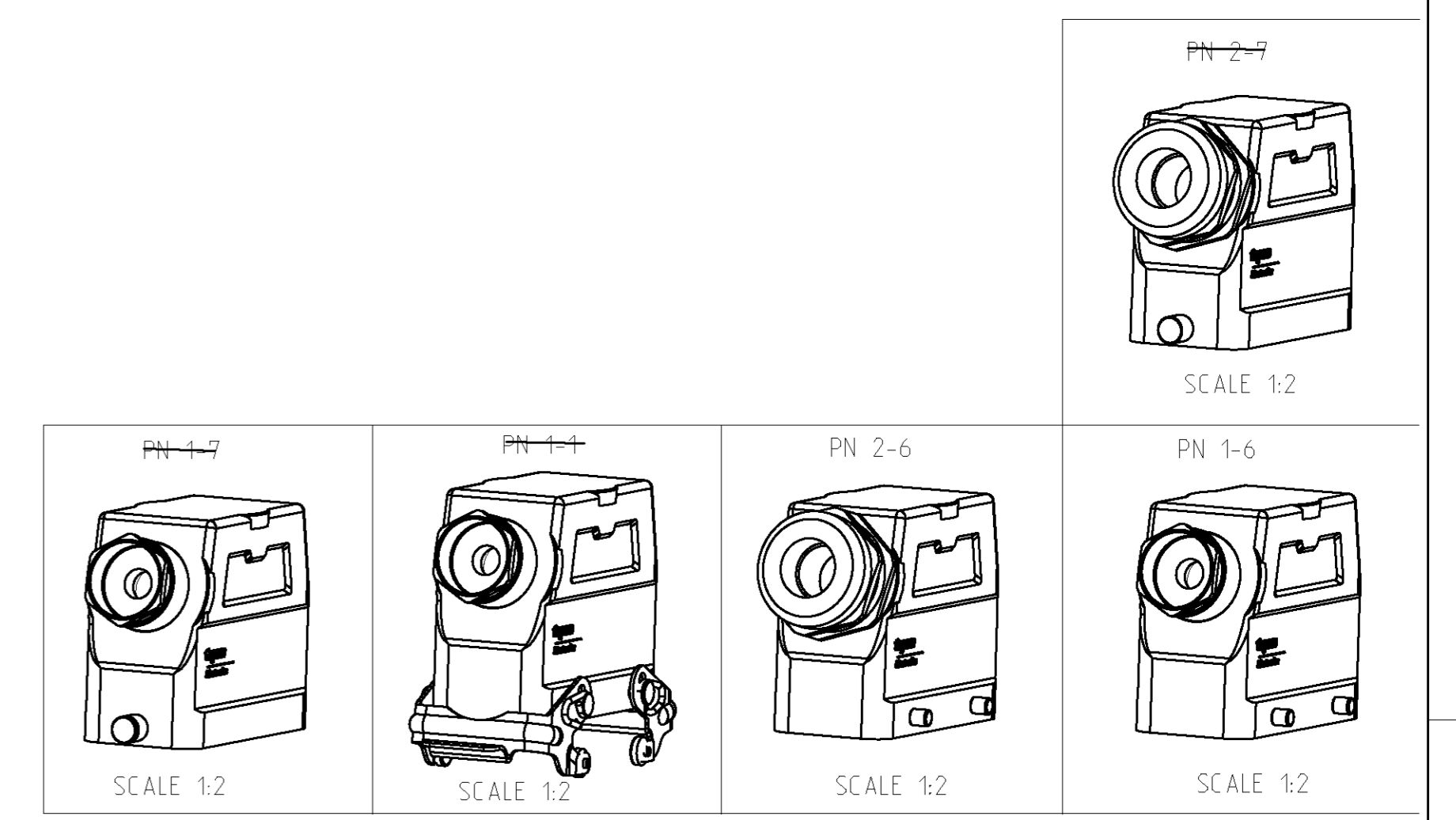


| LOC | DIST | REVISIONS | | | |
|-----|------|-------------------------------|----------|-----|------|
| P | LTR | DESCRIPTION | DATE | OWN | APVD |
| A1 | - | Released as per ECR-07-012890 | 16-07-07 | SK | TS |
| A4 | - | REVISED PER ECO-09-027197 | 13JAN10 | KK | HMR |



- NOTES
- 1 Material: Housing: aluminium diecasting alloy
Seals: Neoprene
 - 2 Surface: - powder-grey
 - black
 - 3 Packaging quantity 5 pieces in a box
 - 4 Varnish on the inside not necessary

OBsolete PARTS: OBSOLETE CIS STREAMLINING PER D.RENAUD/D.SINISI



| QTY | REF | DESCRIPTION | MATERIAL | SURFACE | COLOR | ITEM NO | NOTES |
|-----|-----|------------------------|-----------------|-----------------|-------|---------|-------|
| 1 | 1 | HUT-Gland fitting PG21 | Brass | Nickel plated | - | 11 | - |
| 1 | 1 | PG-Gland fitting PG21 | Brass | Nickel plated | - | 10 | - |
| 1 | 1 | Cable fitting round | Steel | Zinc plated | Blue | 9 | - |
| 2 | 2 | LB-Clip bolt | Stainless Steel | - | - | 8 | - |
| 2 | 2 | LB-Clip bolt | Steel | Zinc plated | Blue | 7 | - |
| 2 | 2 | VS-Side clip | Stainless Steel | - | - | 6 | - |
| 2 | 2 | VS-Side clip | Steel | Zinc plated | Blue | 5 | - |
| 4 | 4 | VS-Clip bolt | Stainless Steel | - | - | 4 | - |
| 4 | 4 | VS-Clip bolt | Steel | Zinc plated | Blue | 3 | - |
| 1 | 1 | HOOD HD.40.Pg.1.21 | Aluminium | Aluminium oxide | Black | 2 | - |
| 1 | 1 | HOOD HD.40.Pg.1.21 | Aluminium | - | Grey | 1 | - |

ORDERING TEXT

HD.40.Sts.1.21

HD-K.40.Sts.1.21

HD.40.Sts-VS.1.21

HD-K.40.Sts-VS.1.21

HD.40.Sts-GR.1.21

HD-K.40.Sts-GR.1.21

HD-Z.40.Sts-ZB.1.21

| | | | |
|-----------------------|---|--|---|
| DIMENSIONS: mm | TOLERANCES UNLESS OTHERWISE SPECIFIED: 0 PLS ± 1 PLC ± 2 PLC ± 3 PLC ± 4 PLS ± FINISH | DWG Schneider 30.03.1999 CHK Schweiger 30.03.1997 APVD - PRODUCT SPEC - APPLICATION SPEC - WEIGHT - | Tyco Electronics Tyco Electronics. AMP GmbH D-53819, Neunkirchen, Germany NAME HOOD HD.40.STS.1.21 SIZE A CAGE CODE 00779 DRAWING NO C=1102562 RESTRICTED TO - CUSTOMER DRAWING SCALE 1:1 SHEET 1 OF 1 REV A4 |
|-----------------------|---|--|---|

单击下面可查看定价，库存，交付和生命周期等信息

[>>TE Connectivity\(泰科\)](#)