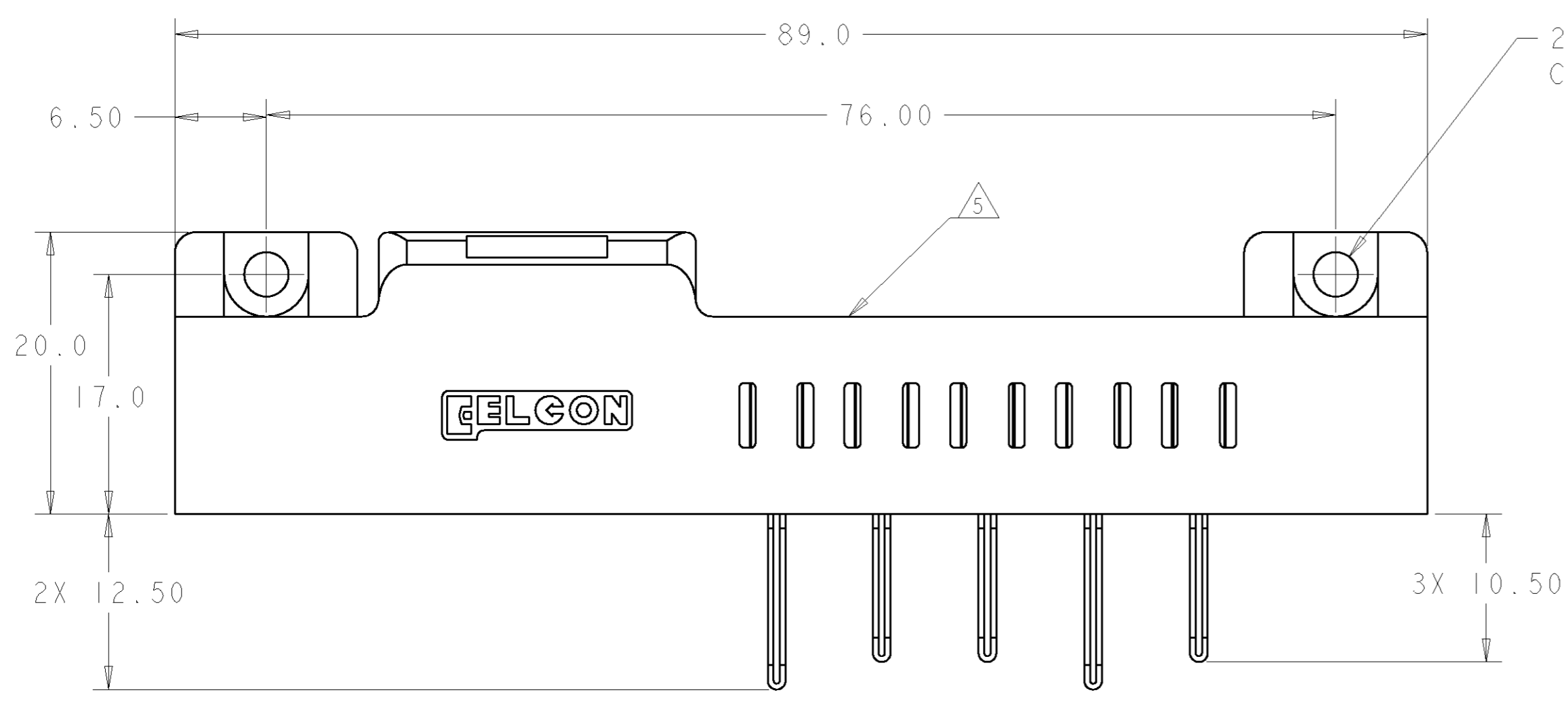


THIS DRAWING IS UNPUBLISHED. RELEASED FOR PUBLICATION 20
 © COPYRIGHT 20 BY TYCO ELECTRONICS CORPORATION. ALL RIGHTS RESERVED.

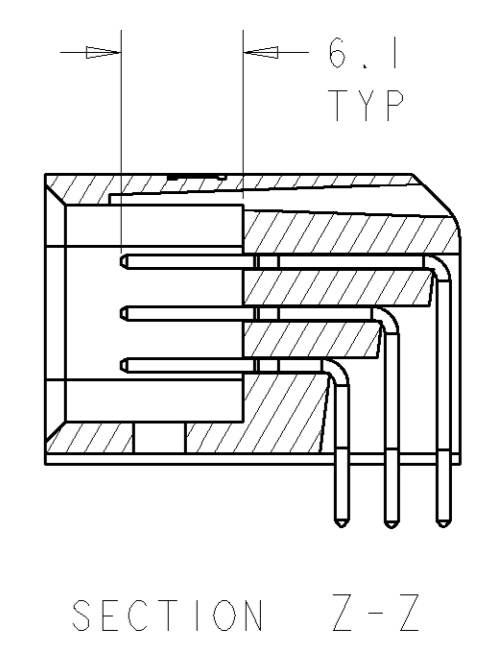
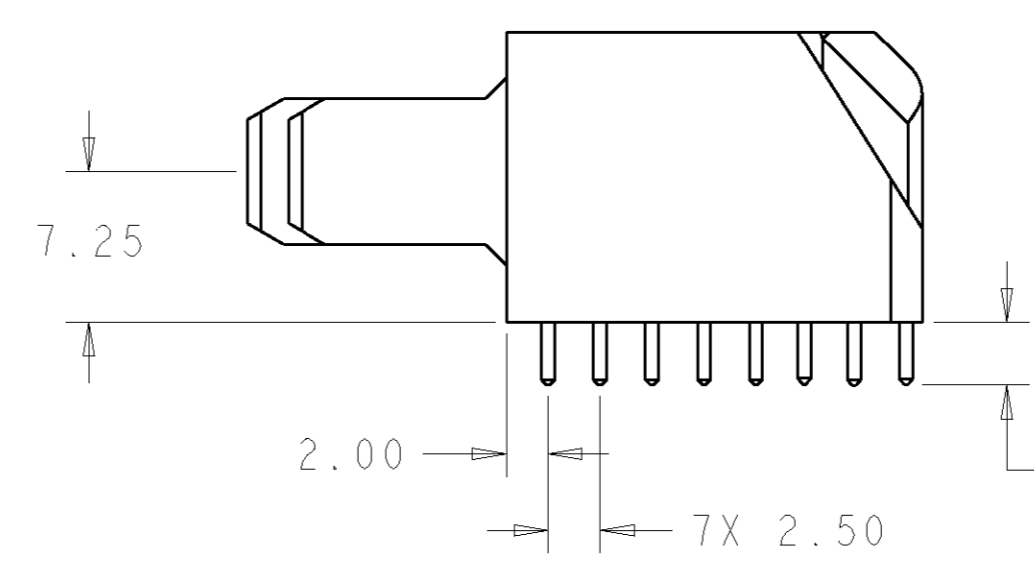
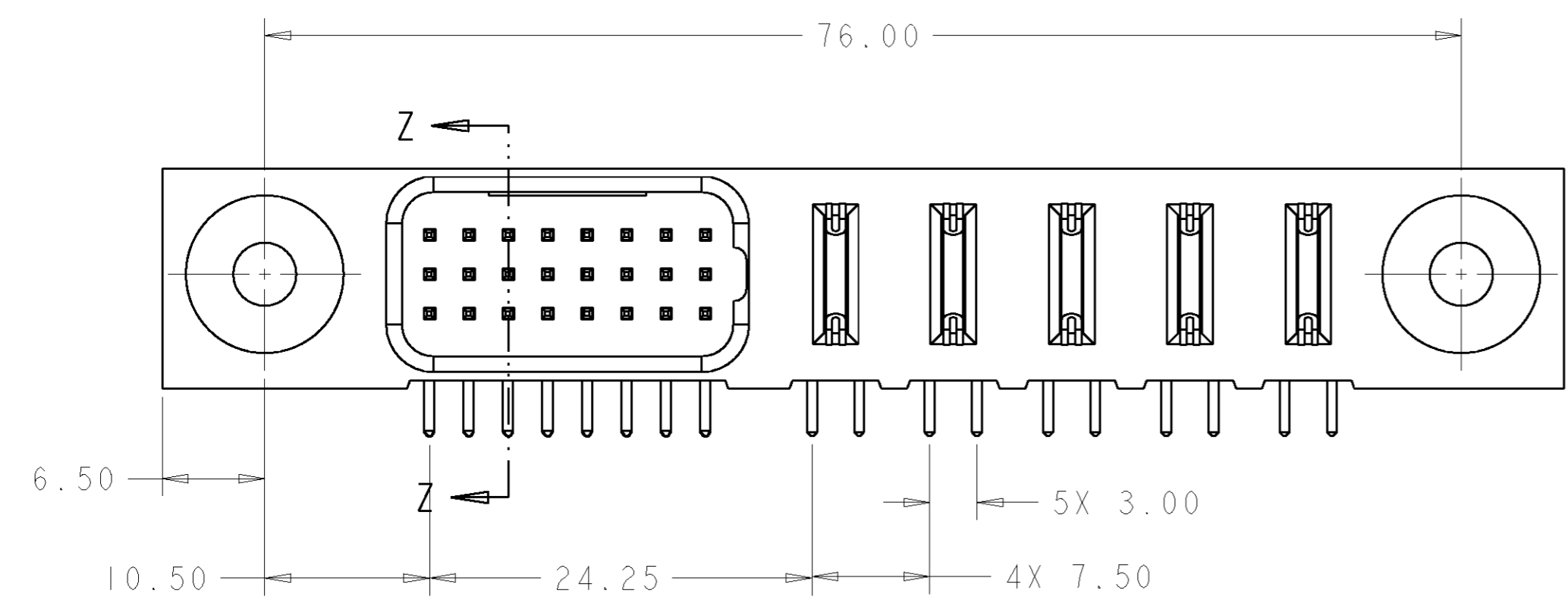
LOC	DIST	REVISIONS			
P	LTR	DESCRIPTION	DATE	DWN	APVD
GP	00	A	NEW RELEASE	18SEP2007	RG PD



2X Ø3.00 MIN $\triangle 4$
 CLEARANCE HOLE

- PART NUMBER CHANGES AND OR DESIGN CHANGES AFFECTING ITEM INTERCHANGEABILITY REQUIRE PRIOR TYCO ELECTRONICS APPROVAL AND AUTHORIZATION BY REVISION TO THIS DRAWING.
 - MATERIAL:
 INSULATORS - THERMOPLASTIC, GLASS REINFORCED, COLOR: BLACK, UL94V-0 FLAMMABILITY RATED.
 SOLDER SIGNAL PINS-BRASS ALLOY
 CROWN BAND-BERYLLIUM COPPER ALLOY
 - FINISH:
 CONTACTS - GOLD PLATE 0.75µm MIN. THK., OVER NICKEL 1.27µm MIN. THK
 SOLDER TAILS, TIN 3.05µm MIN. THK.
 OVER NICKEL 1.27µm MIN THK.
- $\triangle 4$ MOUNTING FLANGES ACCEPT M3 OR #4-40 SCREWS, (USER SUPPLIED)
 $\triangle 5$ ITEMS PROVIDED TO THIS SPECIFICATION TO BE PERMANENTLY IDENTIFIED PER THE FOLLOWING IDENTIFIER LABEL

YEAR 1 WEEK 1
 TYCO ELECTRONICS P/N: XXXXXXXX-X DATE CODE (e.g. 0106): XXXX



AS SHOWN	6646903-1
DESCRIPTION	PART NUMBER

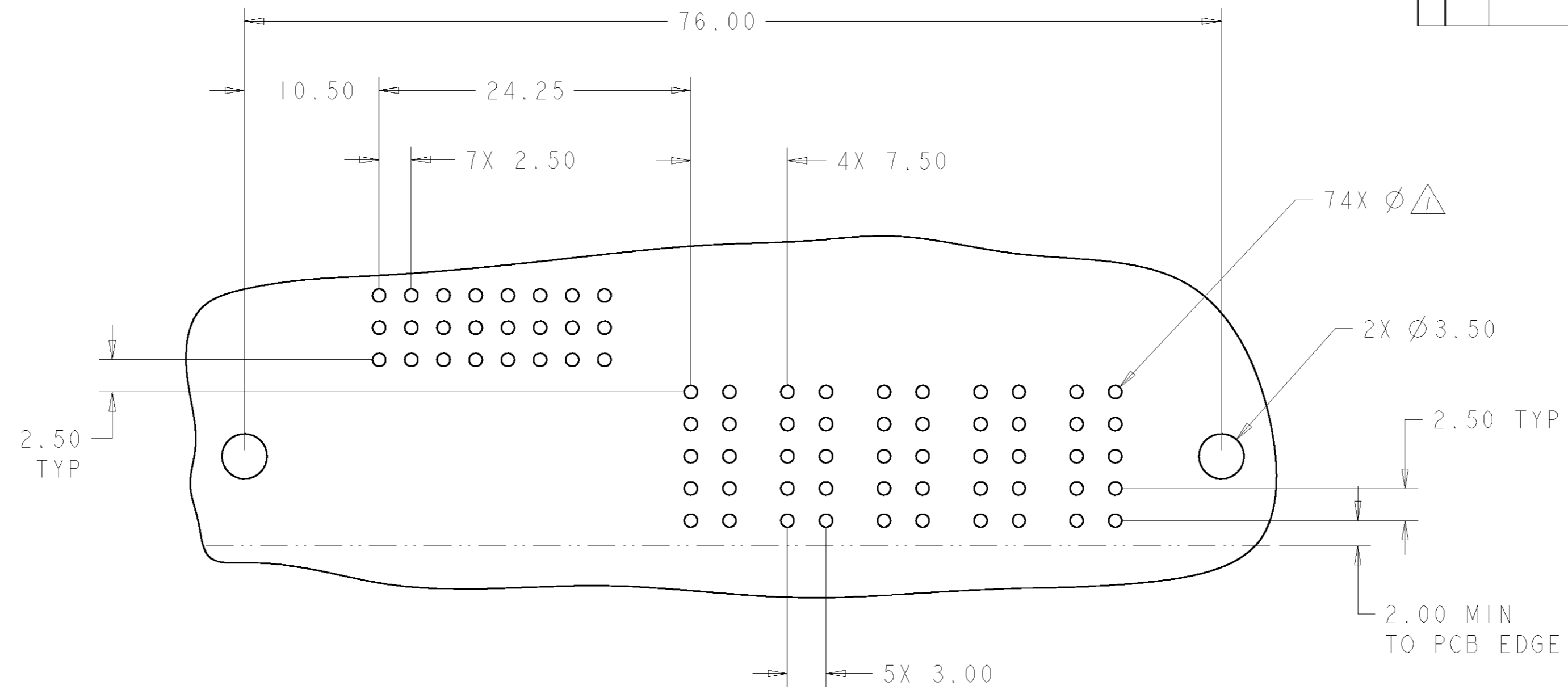
THIS DRAWING IS A CONTROLLED DOCUMENT FOR TYCO ELECTRONICS CORPORATION. IT IS SUBJECT TO CHANGE AND THE CONTROLLING ENGINEERING ORGANIZATION SHOULD BE CONTACTED FOR THE LATEST REVISION.		DWN: R. GRZYBOWSKI 18SEP2007
DIMENSIONS: mm		CHK: P. DAMATO 18SEP2007
TOLERANCES UNLESS OTHERWISE SPECIFIED:		APVD: S. FLICKINGER 18SEP2007
0 PLC	±	PRODUCT SPEC
1 PLC	±.5	APPLICATION SPEC
2 PLC	±.25	WEIGHT
3 PLC	±	CUSTOMER DRAWING
4 PLC	±	
ANGLES	±3	
FINISH		

Tyco Electronics Harrisburg, PA 17105-3608		NAME: PIN CONNECTOR, RIGHT ANGLE SOLDER TAILS FLATPAQ
SIZE: A2	CAGE CODE: 00779	DRAWING NO: 6646903
RESTRICTED TO: -	SCALE: 3:1	SHEET 1 OF 3 REV A

ELCON FLATPAQ

THIS DRAWING IS UNPUBLISHED. RELEASED FOR PUBLICATION 20
 © COPYRIGHT 20 BY TYCO ELECTRONICS CORPORATION. ALL RIGHTS RESERVED.

LOC	DIST	REVISIONS					
GP	00	P	LTR	DESCRIPTION	DATE	DWN	APVD
		-		SEE SHEET 1	-	-	-



PRINTED CIRCUIT LAYOUT
 COMPONENT SIDE

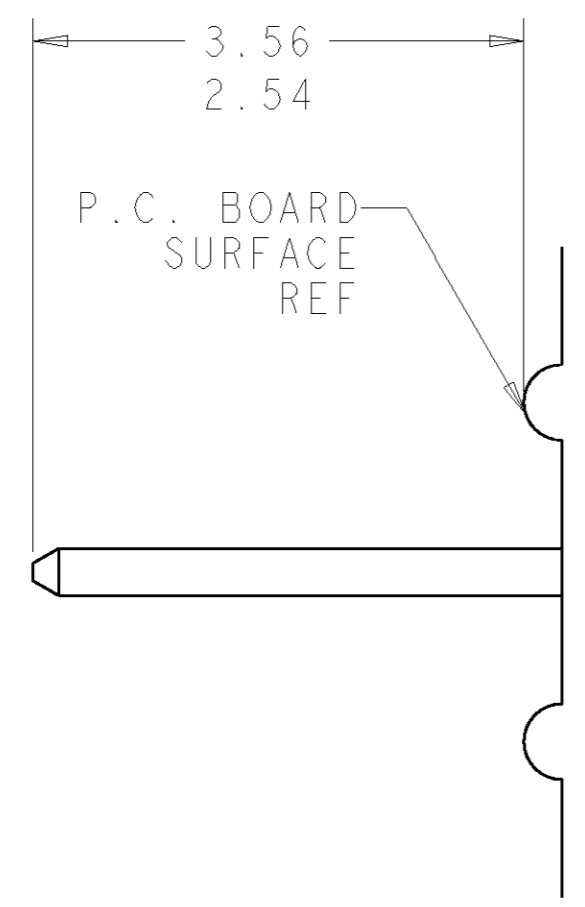
CONNECTOR	CATALOG MODULE #	QTY	SIZE NO.	CONTACT QTY	MATING PIN	MAX. CURRENT (PER CONTACT)	CONTACT SPACING	VOLTAGE RATING
PIN	FP151	3	8	3	1.25 X 7.00 [.049 X .276]	35 amps	7.50 [.2953]	250
	FP152	2	8	2	1.25 X 7.00 [.049 X .276]	35 amps	7.50 [.2953]	600
	FP302	1	22	24	.64 [.025] SQ.	3 amps	2.50 [.0984]	125 VOLTS
	FP500	1	LEFT MOUNTING FLANGE					
	FP501	1	RIGHT MOUNTING FLANGE					

THIS DRAWING IS A CONTROLLED DOCUMENT FOR TYCO ELECTRONICS CORPORATION IT IS SUBJECT TO CHANGE AND THE CONTROLLING ENGINEERING ORGANIZATION SHOULD BE CONTACTED FOR THE LATEST REVISION.		DWN R.GRZYBOWSKI 18SEP2007 CHK P.DAMATO 18SEP2007 APVD S.FLICKINGER 18SEP2007	Tyco Electronics Harrisburg, PA 17105-3608
DIMENSIONS: mm	TOLERANCES UNLESS OTHERWISE SPECIFIED: 0 PLC ±.5 1 PLC ±.5 2 PLC ±.25 3 PLC ±.5 4 PLC ±.5 ANGLES ±3 FINISH	NAME PRODUCT SPEC APPLICATION SPEC WEIGHT	NAME PIN CONNECTOR, RIGHT ANGLE SOLDER TAILS FLATPAQ SIZE CAGE CODE DRAWING NO RESTRICTED TO
MATERIAL		CUSTOMER DRAWING	A200779C-6646903 SCALE 3:1 SHEET 2 OF 3 REV A

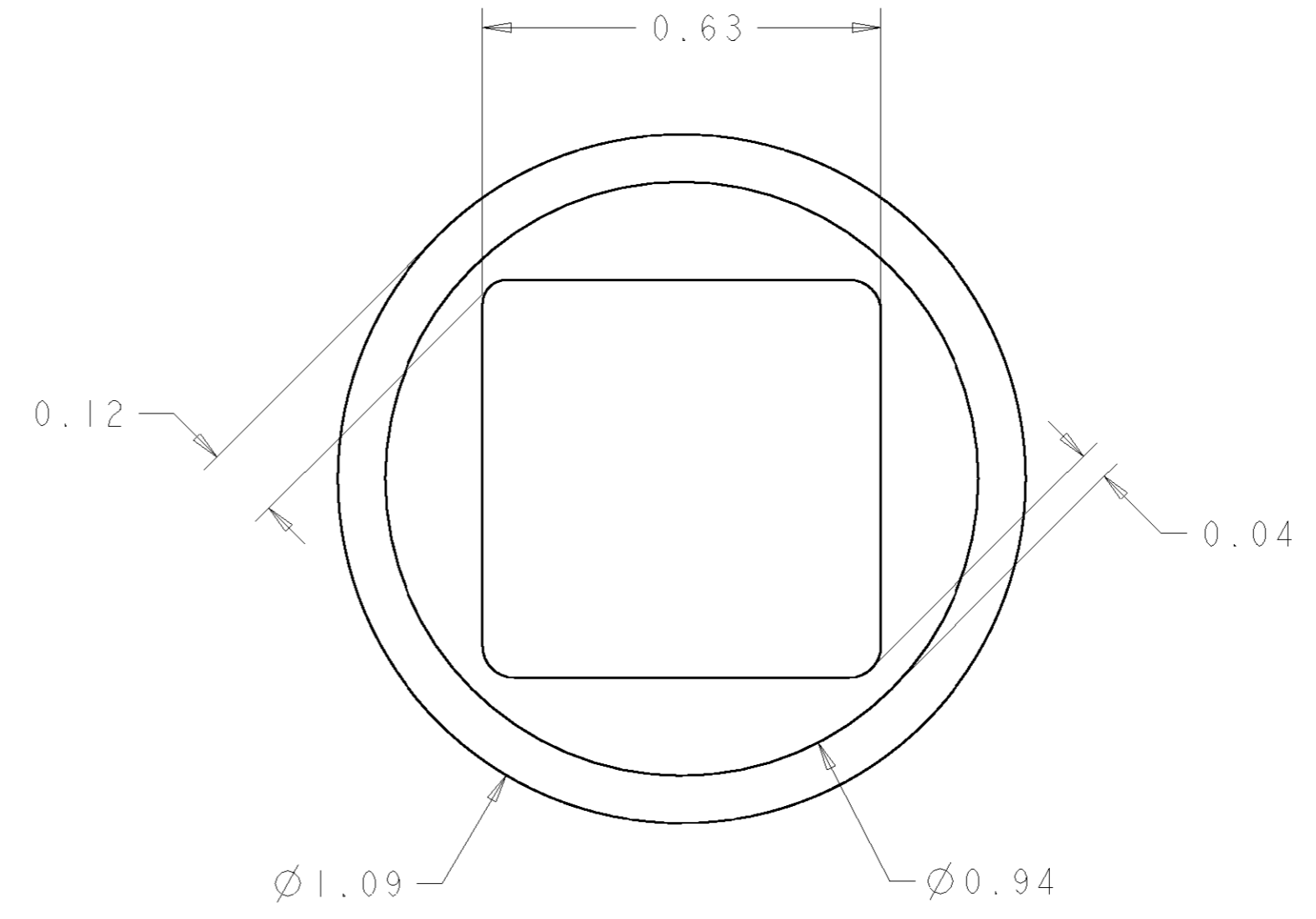
ELCON FLATPAQ

THIS DRAWING IS UNPUBLISHED. RELEASED FOR PUBLICATION 20
 © COPYRIGHT 20 BY TYCO ELECTRONICS CORPORATION. ALL RIGHTS RESERVED.

LOC	DIST	REVISIONS			
P	LTR	DESCRIPTION	DATE	DWN	APVD
GP	00	-	SEE SHEET 1	-	-



6. SOLDER PIN DETAIL
SCALE 10:1



△ SOLDER TERMINATION AREA
 SCALE 40:1
 RECOMMENDED PRINTED CIRCUIT SOLDER HOLE
 FINISHED HOLE: Ø1.02 [.040] ±.08 [.003]
 DRILLED HOLE: Ø1.15 [.0453] ±.013 [.0005]
 COPPER PLATE: .025 [.0010] MIN.
 TIN PLATE: .008 [.0003] MIN. (PER SURFACE)

ELCON FLATPAQ

<small>THIS DRAWING IS A CONTROLLED DOCUMENT FOR TYCO ELECTRONICS CORPORATION IT IS SUBJECT TO CHANGE AND THE CONTROLLING ENGINEERING ORGANIZATION SHOULD BE CONTACTED FOR THE LATEST REVISION.</small>		DWN 18SEP2007 R. GRZYBOWSKI CHK 18SEP2007 P. DAMATO APVD 18SEP2007 S. FLICKINGER	Tyco Electronics Harrisburg, PA 17105-3608
DIMENSIONS: mm 	TOLERANCES UNLESS OTHERWISE SPECIFIED: 0 PLC ±.5 1 PLC ±.5 2 PLC ±.25 3 PLC ±.5 4 PLC ±.5 ANGLES ±3 FINISH	NAME PIN CONNECTOR, RIGHT ANGLE SOLDER TAILS FLATPAQ	SIZE A200779
MATERIAL		PRODUCT SPEC APPLICATION SPEC WEIGHT CUSTOMER DRAWING	DRAWING NO C-6646903 SCALE 3:1 SHEET 3 OF 3 REV A

单击下面可查看定价，库存，交付和生命周期等信息

[>>TE Connectivity\(泰科\)](#)