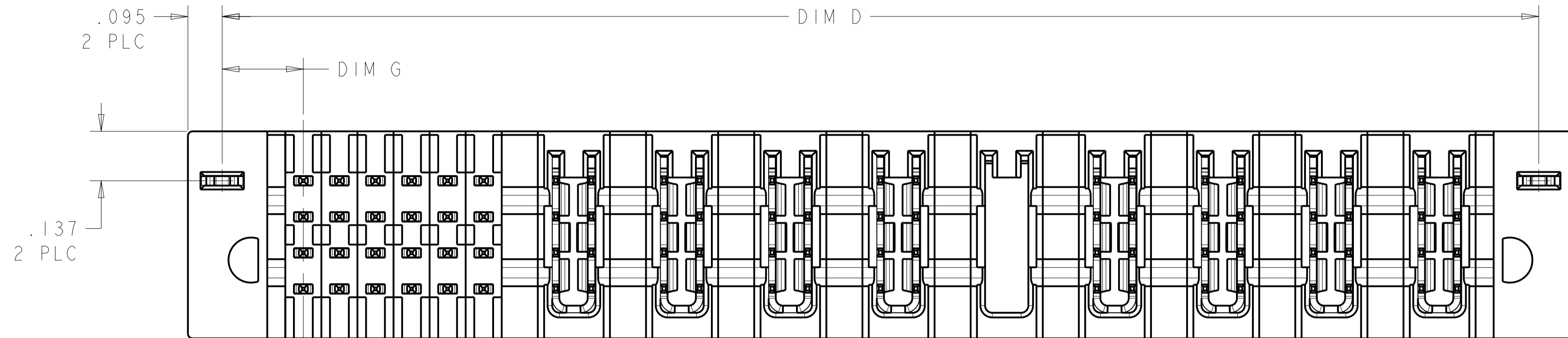
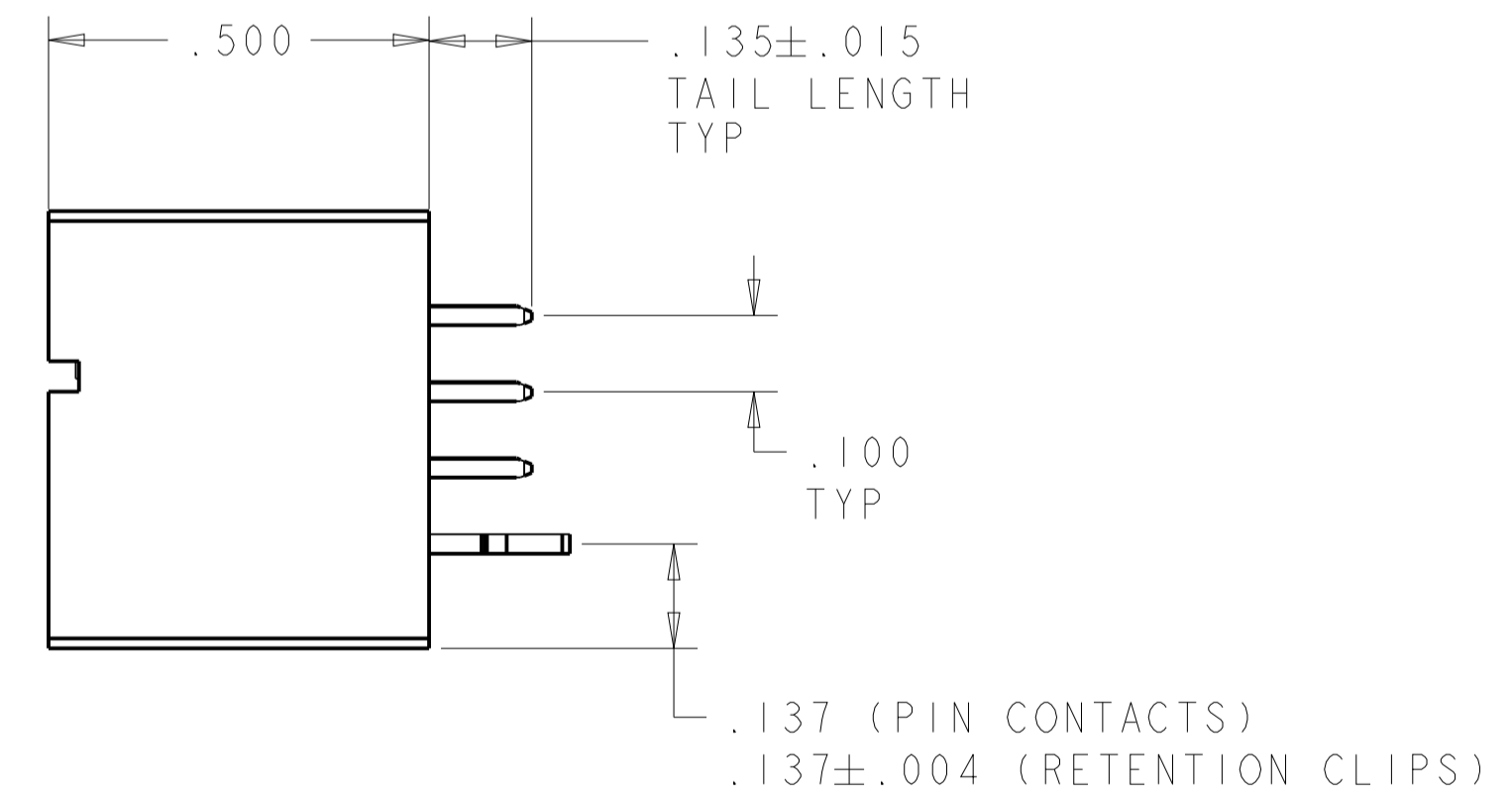
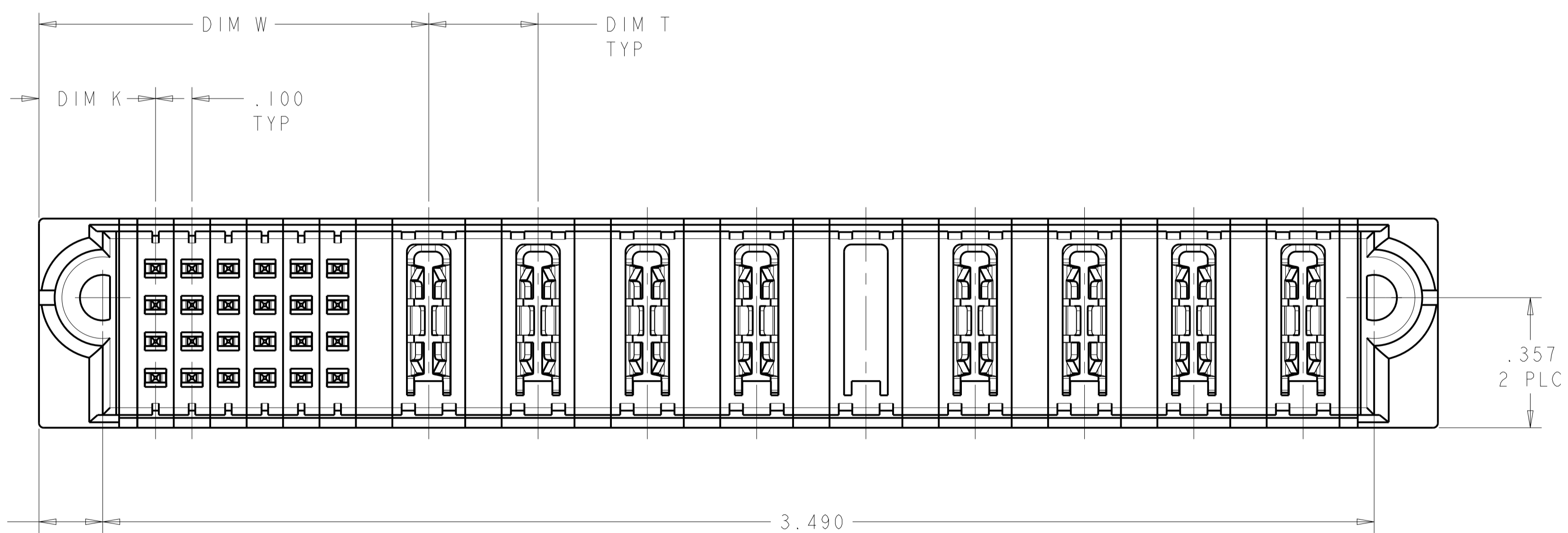
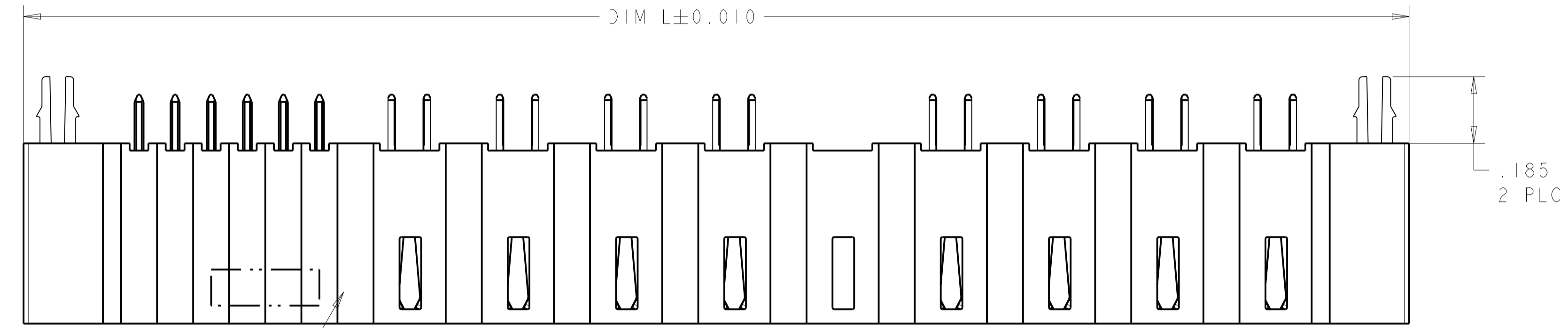


LOC		DIST		REVISIONS			
ES	00	P	LTN	DESCRIPTION	DATE	DWN	APVD
		A2		ADD NEW PART -2	26DEC2012	AY	SZ
		A3		UPDATE -2 MODEL	07JAN2013	AY	SZ
		A5		ADD NEW DASH NUMBER -3	14NOV2014	CZ	SZ



- ⚠️ HEADER HOUSING: THERMO PLASTIC, BLACK, UL94 V-0; CONTACTS AND RETENTION CLIPS: COPPER ALLOY.
- ⚠️ CONTACT PLATING: NOBLE METAL PLATING ON CONTACT FUNCTIONAL AREA OF POWER AND SIGNAL CONTACTS
- ⚠️ "AMP", PART NUMBER AND DATE CODE MARKED IN THIS AREA. PARTS UNDER 2.50 LONG MAY BE MARKED ON BOTH SIDES.
- ⚠️ DATUM AND BASIC DIMENSIONS ESTABLISHED BY CUSTOMER.
- ⚠️ PCB - ALL HOLE DIAMETERS ARE FINISHED HOLE SIZES.
- ⚠️ MECHANICAL CONNECTOR KEEP OUT ZONE.



DIM K	DIM T	DIM W	DIM G	DIM D	DIM L	DESCRIPTION	PART NO
.320	.300	1.070	.275	3.650	3.840	24S + 9P	6450811-3
.270	-	-	.225	.650	.840	16S	6450811-2
.270	-	-	.225	.850	1.040	24S	6450811-1

THIS DRAWING IS A CONTROLLED DOCUMENT. DWN: C.ZHOU 05MAR2008, CHK: S.ZHAO 05MAY2008, APVD: S.ZHAO

DIMENSIONS: INCHES. TOLERANCES UNLESS OTHERWISE SPECIFIED: 0 PLC ±.005, 1 PLC ±.005, 2 PLC ±.005, 3 PLC ±.005, 4 PLC ±.005, ANGLES ±.

MATERIAL: THERMO PLASTIC, BLACK, UL94 V-0. FINISH: NOBLE METAL PLATING.

PRODUCT SPEC: 108-2292. APPLICATION SPEC: 114-13038. WEIGHT: -. CUSTOMER DRAWING.

NAME: VERTICAL HEADER ASSEMBLY, WITH SHORT END MODULE MULTI-BEAM XLE. SIZE: A1. CAGE CODE: 00779. DRAWING NO: 6450811. RESTRICTED TO: A5.

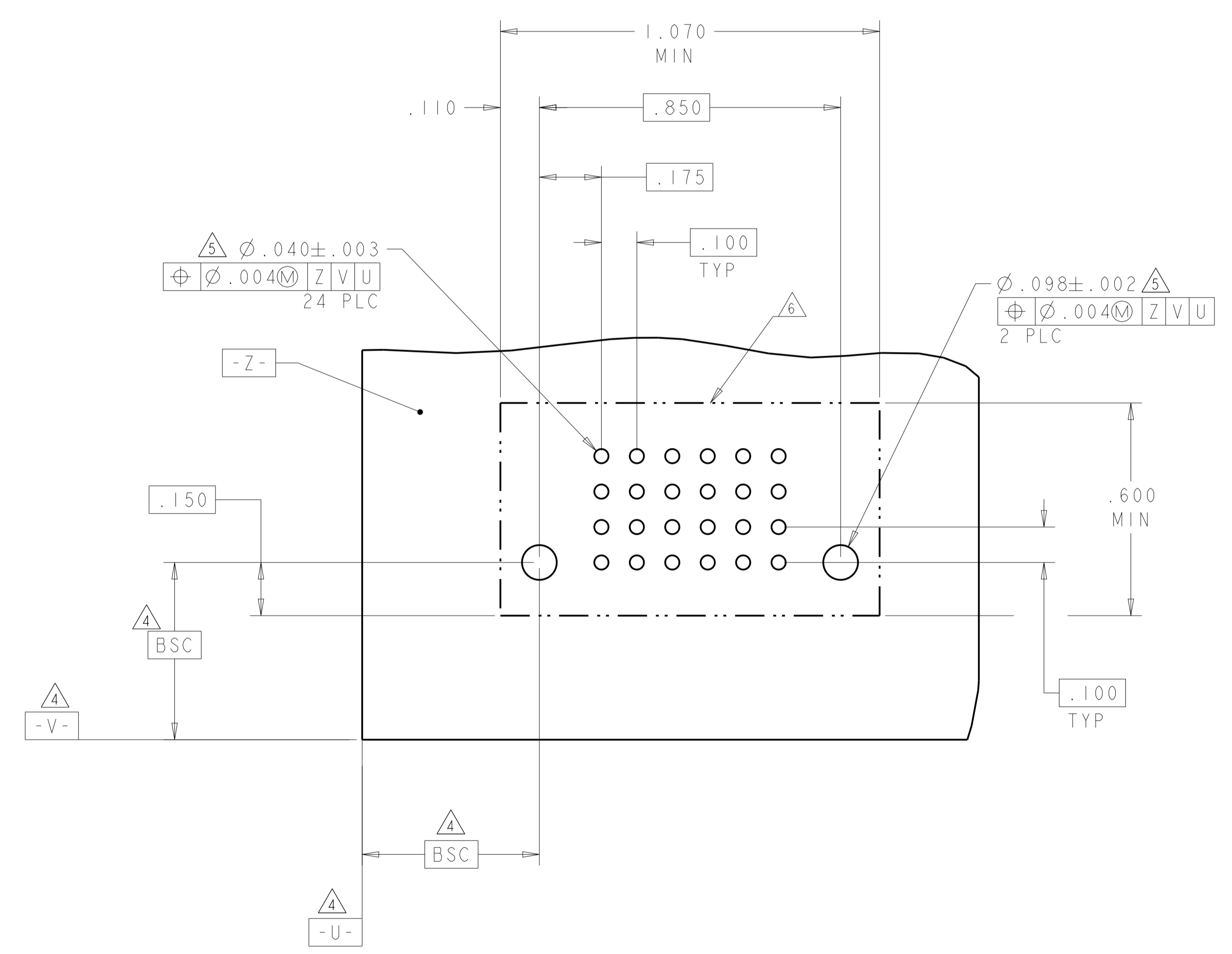
SCALE: 4:1. SHEET: 1 OF 4. REV: A5.

LOC	DIST	REV	DATE	BY	APPV
ES	00				

REVISIONS					
REV	DATE	BY	APPV	DESCRIPTION	
-	-	-	-	SEE SHEET 1	

PART NUMBER	ROWS	SIGNAL					
		1	2	3	4	5	6
6450811-1	D	SS	SS	SS	SS	SS	SS
	C	SS	SS	SS	SS	SS	SS
	B	SS	SS	SS	SS	SS	SS
	A	SV	SV	SV	SV	SV	SV
24S	HD						HD



MATING SEQUENCE	DESCRIPTION	IDENTIFIER
-	RETENTION CLIP	HD
MLBF	SIGNAL CONTACT	SS
STANDARD	SIGNAL CONTACT	SV

THIS DRAWING IS A CONTROLLED DOCUMENT.

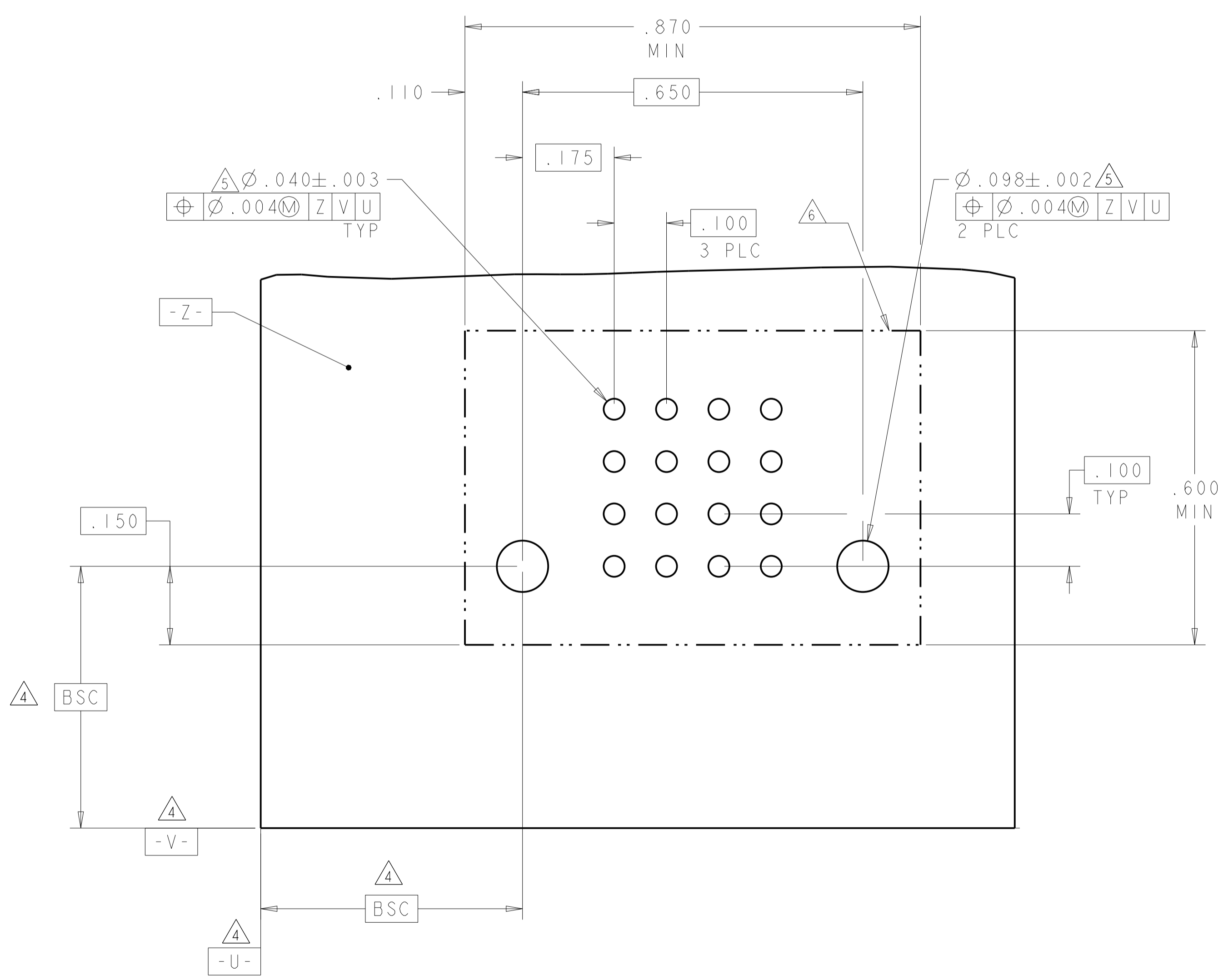
DIMENSIONS: INCHES	TOLERANCES UNLESS OTHERWISE SPECIFIED:	0 PLC ±	1 PLC ±	2 PLC ±	3 PLC ±.005	4 PLC ±	ANGLES ±	FINISH
--------------------	--	---------	---------	---------	-------------	---------	----------	--------

OWN: C. ZHOU	05MAR2008	NAME: VERTICAL HEADER ASSEMBLY, WITH SHORT END MODULE MULTI-BEAM XLE
CHK: S. ZHAO	05MAY2008	RESTRICTED TO: A100779C=6450811
APVD:		CUSTOMER DRAWING

SCALE: 4:1 SHEET 2 OF 4 REV A5

LOC	DIST	REVISIONS					
		P	LTN	DESCRIPTION	DATE	DWN	APVD
ES	00	-	-	SEE SHEET 1	-	-	-

PART NUMBER	ROWS	SIGNAL			
		1	2	3	4
6450811-2	D	SV	SV	SV	SV
	C	SV	SV	SV	SV
	B	SV	SV	SV	SV
	A	SV	SV	SV	SV
16S	HD				HD

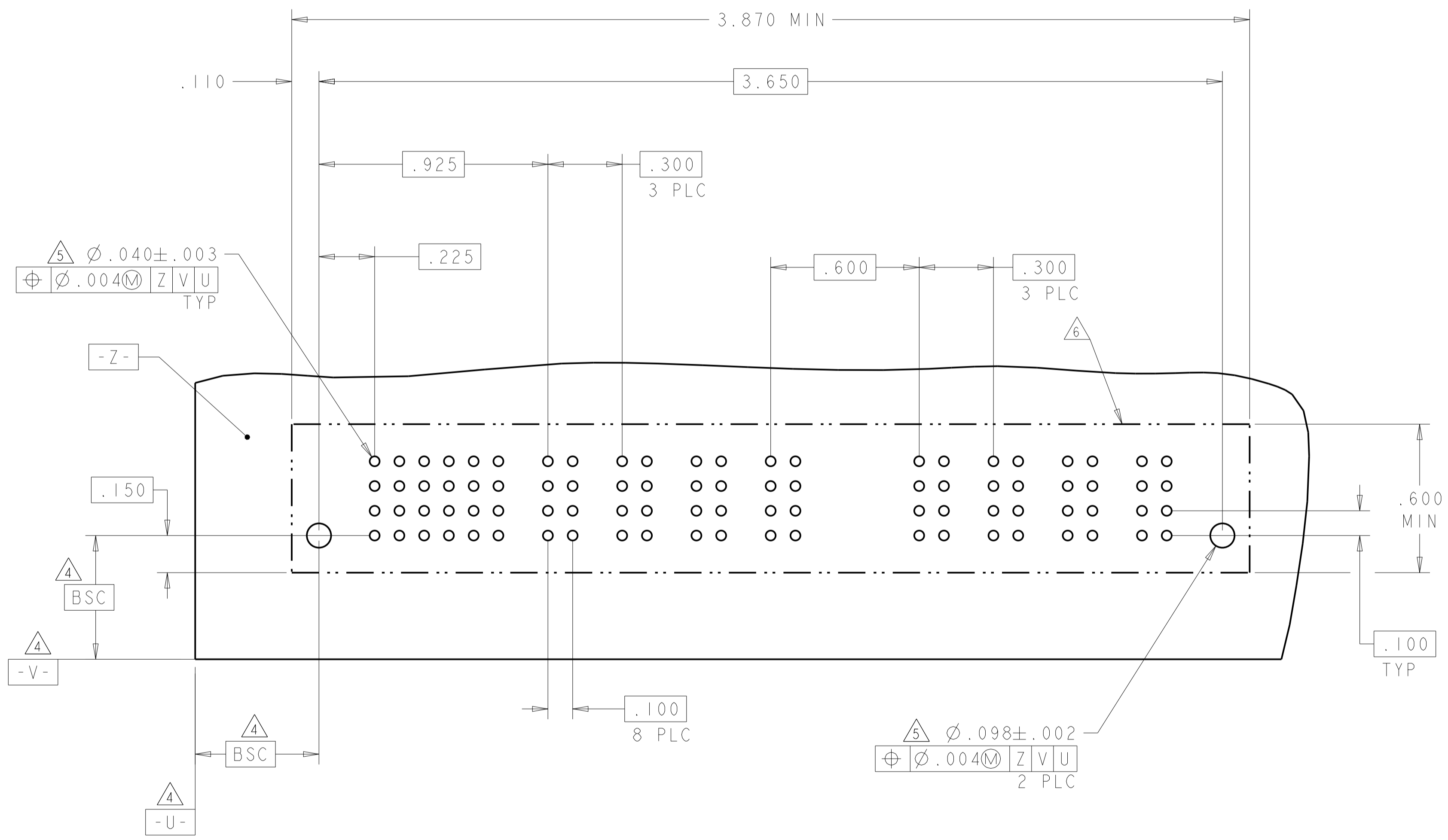


THIS DRAWING IS A CONTROLLED DOCUMENT.		DWN C. ZHOU 05MAR2008	TE Connectivity
DIMENSIONS: INCHES		CHK S. ZHAO 05MAY2008	
TOLERANCES UNLESS OTHERWISE SPECIFIED: 0 PLC ± 1 PLC ± 2 PLC ± 3 PLC ±.005 4 PLC ± ANGLES ±		APVD -	NAME VERTICAL HEADER ASSEMBLY, WITH SHORT END MODULE MULTI-BEAM XLE
MATERIAL -		FINISH -	RESTRICTED TO -
CUSTOMER DRAWING		SCALE 4:1	SHEET 3 OF 4
SIZE A1		CAGE CODE 100779	DRAWING NO 6450811
REV A5		REV A5	

LOC		DIST		REVISIONS			
ES	00	REV	DATE	BY	CHK	APPV	DESCRIPTION
-	-	-	-	-	-	-	SEE SHEET 1

PART NUMBER	ROWS	SIGNAL						POWER								
		1	2	3	4	5	6	P1	P2	P3	P4	P5	P6	P7	P8	P9
6450811-3	D	SV	SV	SV	SV	SV	SV	SZ	SZ	SZ	SZ	SZ	SZ	SZ	SZ	SZ
	C	SV	SV	SV	SV	SV	SV									
	B	SV	SV	SV	SV	SV	SV									
	A	SV	SV	SV	SV	SV	SV									
24S + 9ACP	HD															HD

NO CONTACT LOADED



THIS DRAWING IS A CONTROLLED DOCUMENT.		DWN C. ZHOU 05MAR2008	 TE Connectivity
DIMENSIONS: INCHES		CHK S. ZHAO 05MAY2008	
TOLERANCES UNLESS OTHERWISE SPECIFIED: 0 PLC ± 1 PLC ± 2 PLC ± 3 PLC ±.005 4 PLC ± ANGLES ±		APVD -	NAME VERTICAL HEADER ASSEMBLY, WITH SHORT END MODULE MULTI-BEAM XLE
MATERIAL -		FINISH -	RESTRICTED TO -
CUSTOMER DRAWING		SCALE 4:1	SHEET 4 OF 4
DIMENSIONS: INCHES 		PRODUCT SPEC 108-2292 APPLICATION SPEC 114-13038 WEIGHT -	SIZE A100779 CAGE CODE C=6450811 REV A5

单击下面可查看定价，库存，交付和生命周期等信息

[>>TE Connectivity\(泰科\)](#)