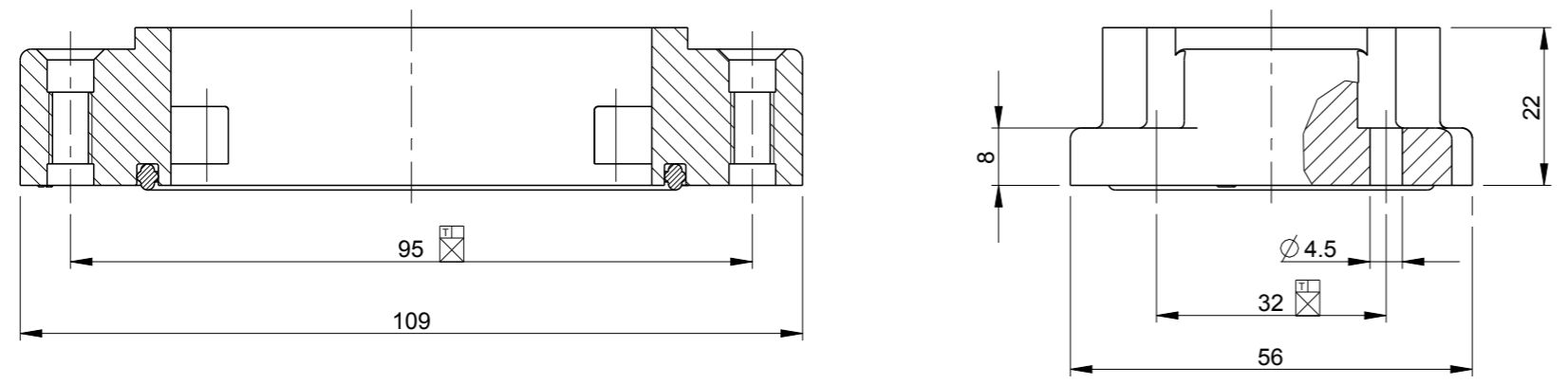


THIS DRAWING IS UNPUBLISHED. RELEASED FOR PUBLICATION .1997
 © COPYRIGHT 1997 BY - ALL RIGHTS RESERVED.

REVISIONS

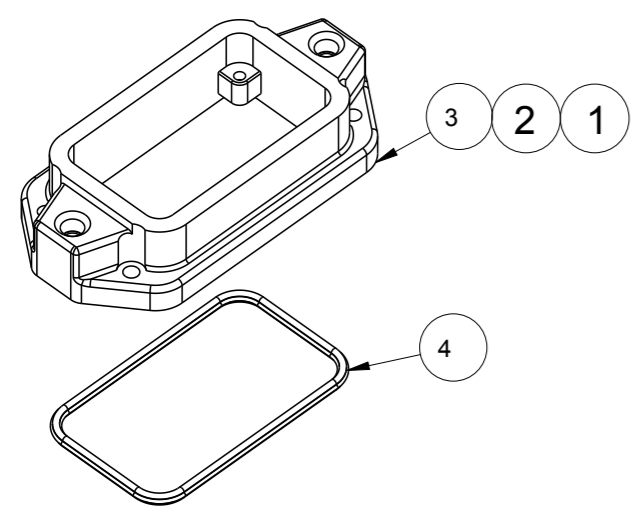
P	LTR	DESCRIPTION	DATE	DWN	APVD
A6		RELEASED AS PER ECR-08-023624	08SEP2008	GG	TS
A7		ECR-17-014011	16JAN2018	RSM	MKO

PN 3-5,4-5 & 0-1



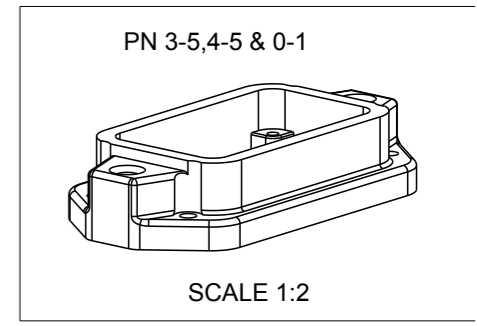
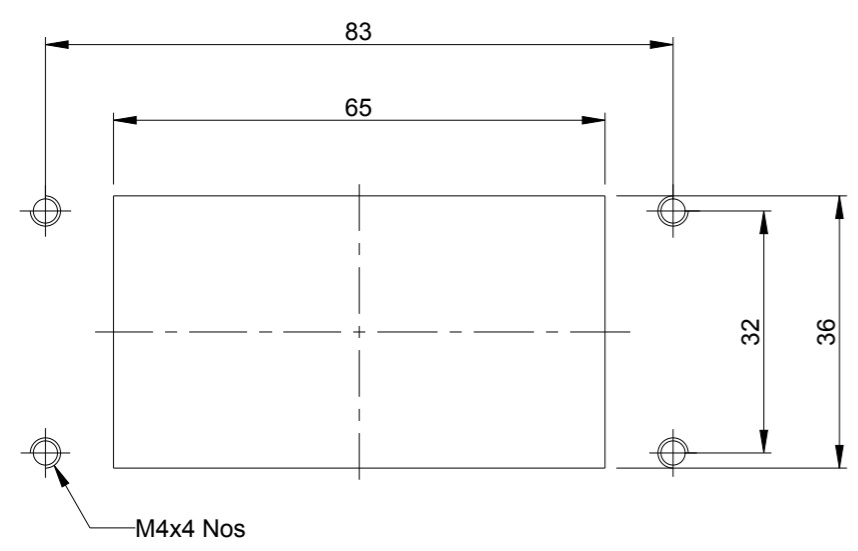
NOTES,

- 1 MATERIAL: SEE TABLE
- 2 SURFACE: SEE TABLE
- 3 VARNISH ON THE INSIDE NOT NECESSARY
- 4 PACKAGING QUANTITY 5 PIECES IN A BOX



SCALE 1:2

PANEL CUT-OUT



QTY	DESCRIPTION	MATERIAL	SURFACE	COLOR	ITEM NO	NOTES
1	SEAL BG4	NEOPRENE	-	BLACK	4	CONDUCTIVE
1	SURFACE MOUNTED HOUSING BOTTOM ENTRY FINISHED PRODUCT SIZE 4	ALUMINIUM	-	WITHOUT VARNISH	3	EMV
1	SURFACE MOUNTED HOUSING BOTTOM ENTRY FINISHED PRODUCT SIZE 4	ALUMINIUM	YELLOW CHROMATED	BLACK RAL 9005	2	EMV-K
1	SURFACE MOUNTED HOUSING BOTTOM ENTRY FINISHED PRODUCT SIZE 4	ALUMINIUM	-	GREY RAL 7001	1	EMV
0-1	4-5	3-5				
ORDERING TEXT						
EMV.10/24.AG						
EMV-K.10/24.AG						
EMV.10/24.AG						

THIS DRAWING IS A CONTROLLED DOCUMENT.		DWN Kramer 20.05.98			
DIMENSIONS: mm		CHK Schweiger 20.05.98			
TOLERANCES UNLESS OTHERWISE SPECIFIED: n. ISO 8015: n. ISO 2768-mS/H-E: n. DIN 16901-120		APVD -	NAME SURFACE MOUNTED HOUSING BOTTOM ENTRY. EMV/EMV-K.10/24		
0 PLC ± 1 PLC ± 2 PLC ± 3 PLC ± 4 PLC ± ANGLES ±		PRODUCT SPEC -	SIZE A3	CAGE CODE 00779	DRAWING NO C-0-1102718-1
MATERIAL 1 material_2		FINISH 2 finish_spec_2	APPLICATION SPEC -	RESTRICTED TO	
		WEIGHT -	SCALE 1:1	SHEET 1 OF 1	REV A7
CUSTOMER DRAWING					

单击下面可查看定价，库存，交付和生命周期等信息

[>>TE Connectivity\(泰科\)](#)