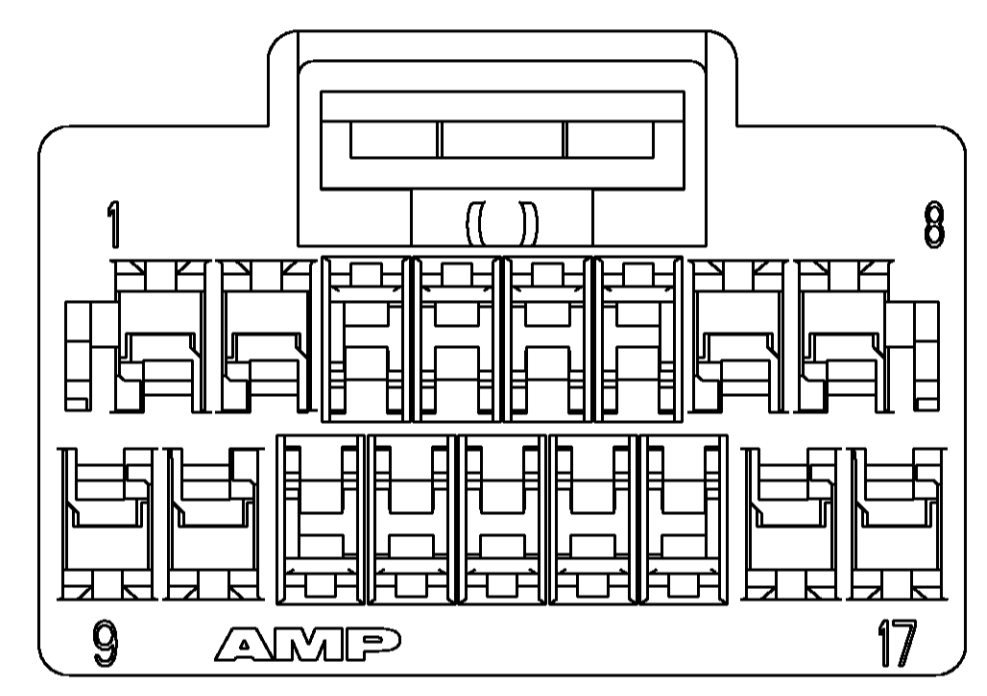
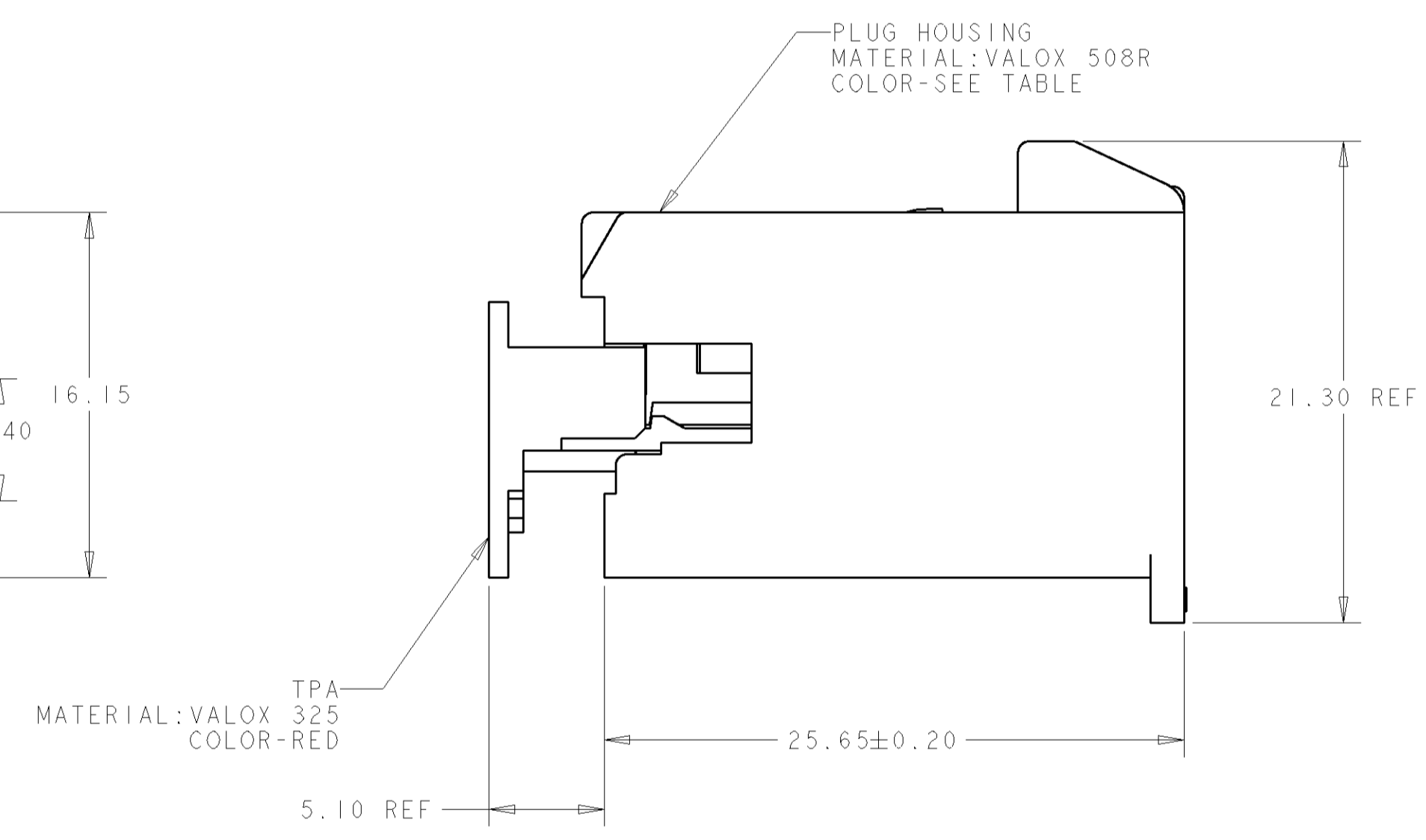
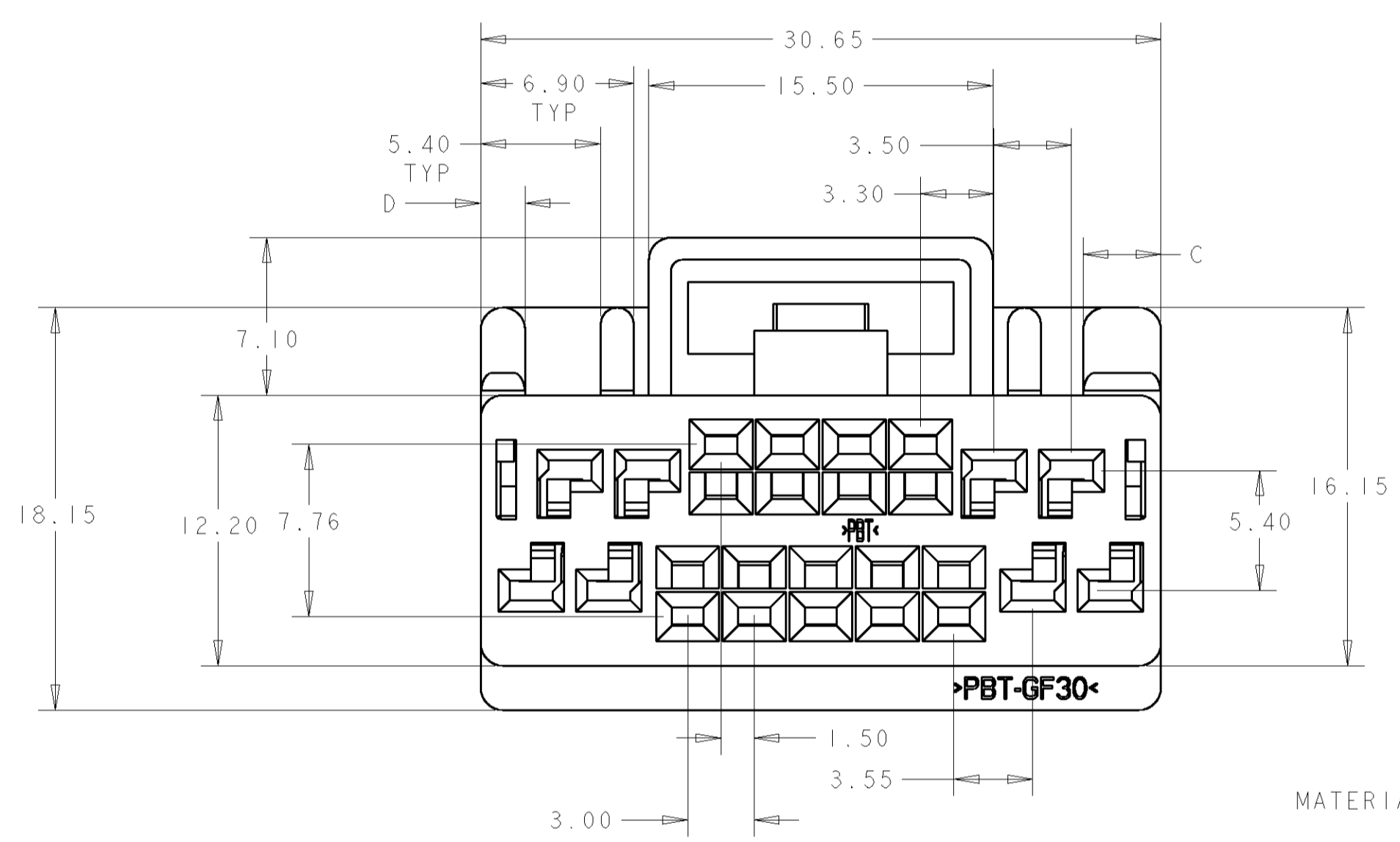
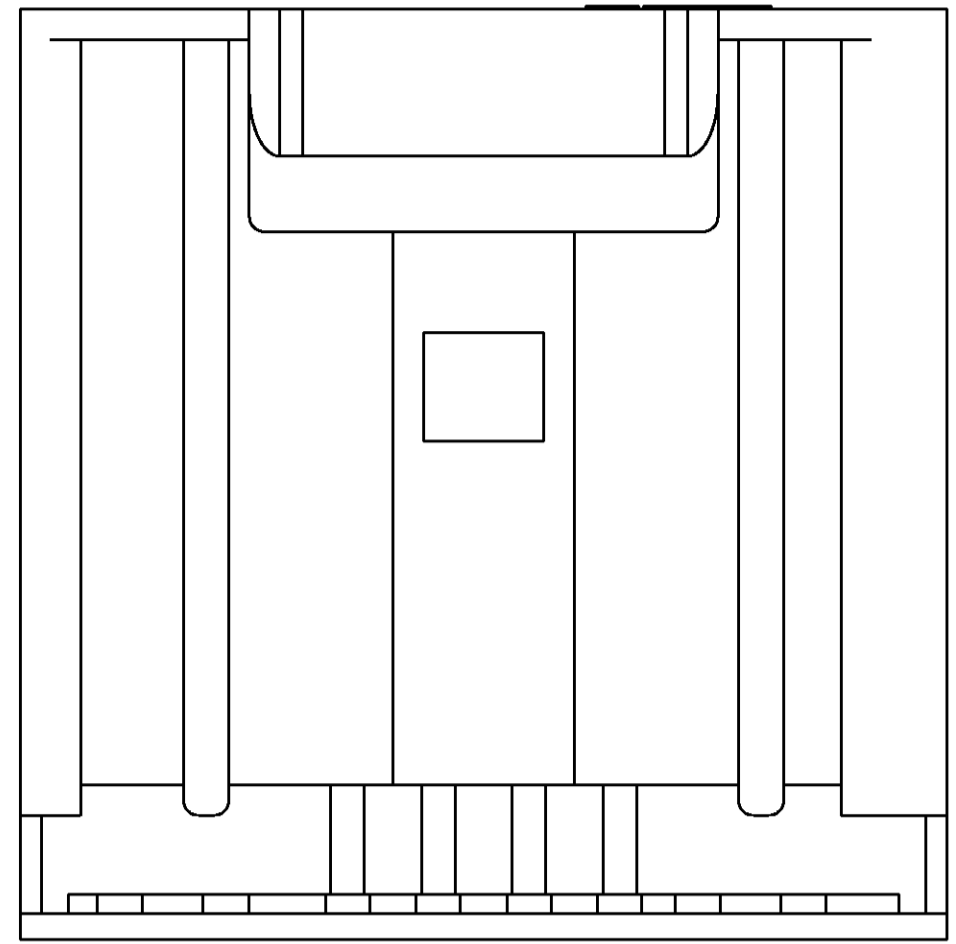
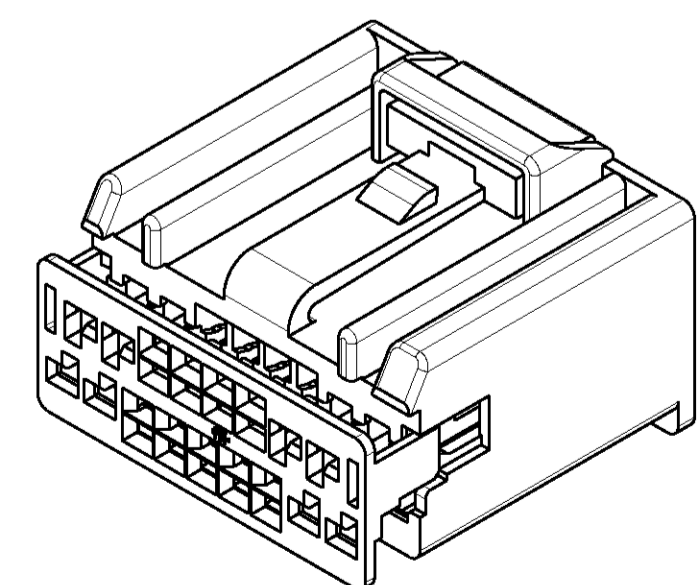


LOC	DIST	REVISIONS				
F	LTR	DESCRIPTION	DATE	DNM	APRD	
FX	00	A	REVISED PER EC #0R80-0076-99	06JUL99	JRB	CBP

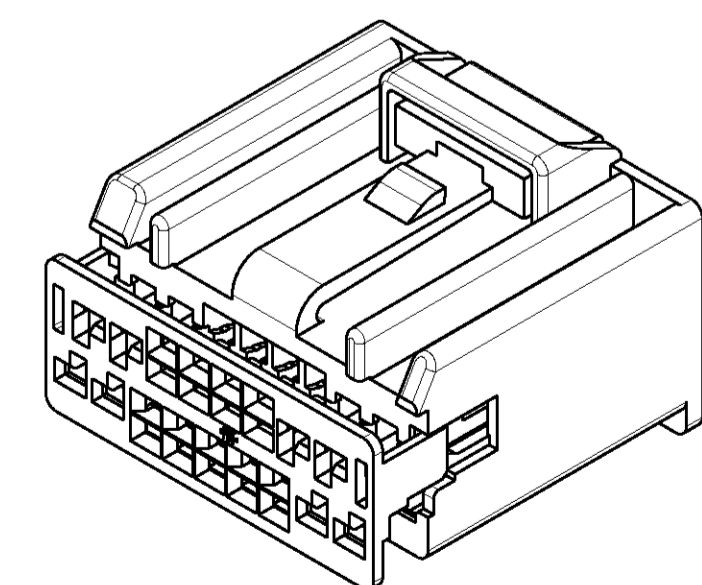


638116-1 SHOWN  
KEY A CONFIGURATION

1. TO BE USED WITH RECEPTACLE CONTACT P/NS:  
638187-1 & -2



638116-1  
KEY A CONFIGURATION  
SCALE 2:1



638116-2  
KEY B CONFIGURATION  
SCALE 2:1

B	3.50	2.00	GRAY	638116-2
A	2.00	3.50	BLACK	638116-1
KEY CONFIGURATION	D	C	COLOR	PART NUMBER

<small>THIS DRAWING IS A CONTROLLED DOCUMENT FOR AMP INCORPORATED. ALL CHANGES TO THIS DRAWING AND THE CONTROLLING INSTRUCTIONS ORGANIZATION SHOULD BE CONTACTED FOR THE LATEST REVISION.</small>		DNM J. MCNEAL 01-14-98 CRK R. GRAY 01-14-98 APD B. GRAY 01-14-98	AMP Incorporated Harrisburg, PA 17105-3608
DIMENSIONS: mm 	TOLERANCES UNLESS OTHERWISE SPECIFIED: 0 PLC ± 1 PLC ±0.2 2 PLC ±0.1 3 PLC ± 4 PLC ±0.0001 ANGLES ±	PRODUCT SPEC - APPLICATION SPEC - WEIGHT - FINISH -	<b>AMP</b> NAME 17 POSITION HYBRID PLUG ASSEMBLY SIZE A1 CAGE CODE 00779 DRAWING NO C=638116 SCALE 2:1 SHEET 1 OF 1 REV A
MATERIAL -		CUSTOMER DRAWING	

单击下面可查看定价，库存，交付和生命周期等信息

[>>TE Connectivity\(泰科\)](#)